



0 Series Commercial
Centerline Latch Entry for Rim Exit Devices

In or Out...we make it Easy!®

Dimensions
1-3/4" x 9"
(45mm x 228mm)



Features & Benefits

- Accommodates various rim exit device with Pullman latch projections (from 1/2" to 3/4")
- The 1-5/8" deep electrical insert* may be horizontally adjusted after final installation to correct door misalignments without altering the original faceplate location
- AC or DC input acceptable to all models
- Fully reversible for left or right-hand doors
- 32D Brushed Stainless Steel finish

NOTE: *A minimum frame depth of 1-5/8" for surface-mounted installations

Highlights

- UL 1034 Burglary-resistant listed
UL Listed:
Static strength: 1500 lbs
Dynamic strength: 70 ft-lb
- Fully reversible (non-handed)
- Extensive Horizontal adjustment
- Secure lock-down holes
- 3-year limited warranty

Applications

- Commercial Centers
- Industrial Buildings
- Educational Facilities
- Retail Outlets
- Health Care Facilities
- Office Complexes

Accessories

0161DDH.....Double door housing for pairs of doors (includes mounting hardware)

Options

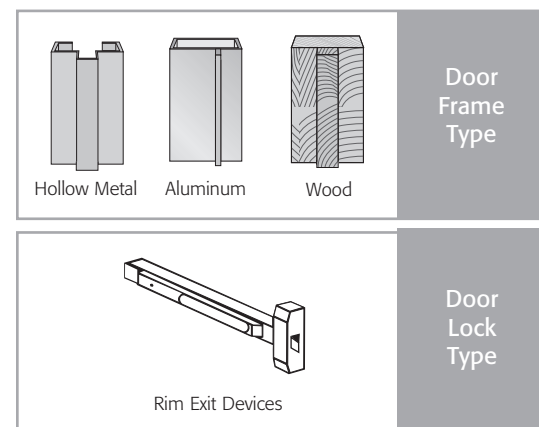
ICEPK.....Heat reducer for continuous duty strikes

0161

Designed especially to operate with rim exit devices. The 0161 has an attractive architectural appearance. It features a hazard-free radius design.

Slotted horizontal holes on the 0161 faceplate allow correct alignment with the exit device before final installation. Socket Head cap screws prevent loosening and misalignment which can occur with continuous door usage.

Crossed wires are never a problem as the coil is not polarity-conscious.





In or Out...we make it Easy!®

NOTE: Not to scale. Specifications are subject to change without notice.

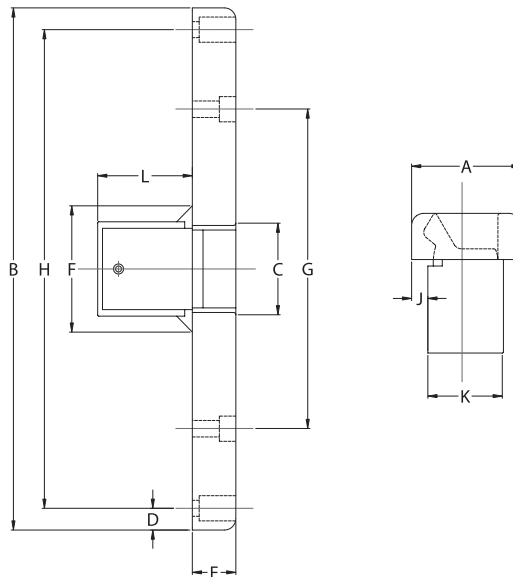
Specifications								
Model	Mode	Code	Voltage	Current	Duty	Sound	Amps	Ohms
0161	Fail Locked	05	12V	AC	Intermittent	Buzz	0.15	61
			12V	DC	Continuous	Silent	0.20	61
0161	Fail Locked	08	24V	AC	Intermittent	Buzz	0.07	215
			24V	DC	Continuous	Silent	0.11	215

AC = Alternating Current
DC = Direct Current

Intermittent Duty = Energized less than 1 min. with Duty Ratio 1:5
Continuous Duty = Energized 1 min. or more

Certifications/Listings
UL 1034 BURGLARY-RESISTANT

Profiles											
MEASUREMENT	A	B	C	D	E	F	G	H	J	K	L
FRACTIONAL INCHES	1-3/4	9	1-1/2	3/8	3/4	2-3/8	5-1/2	8-1/4	5/16 (MAX)	1-5/16	1-5/8
DECIMAL INCHES	1.77	8.98	1.50	0.38	0.75	2.36	5.50	8.23	0.31	1.30	1.63
METRIC mm	45	228	38	10	19	60	140	209	8	33	41



RCI also offers a complete line of Electromagnetic Locks, Electric Strikes, Electric Locks, Power Supplies, Switches, Keypads & Readers, Exit Devices, Systems & Door Hardware.