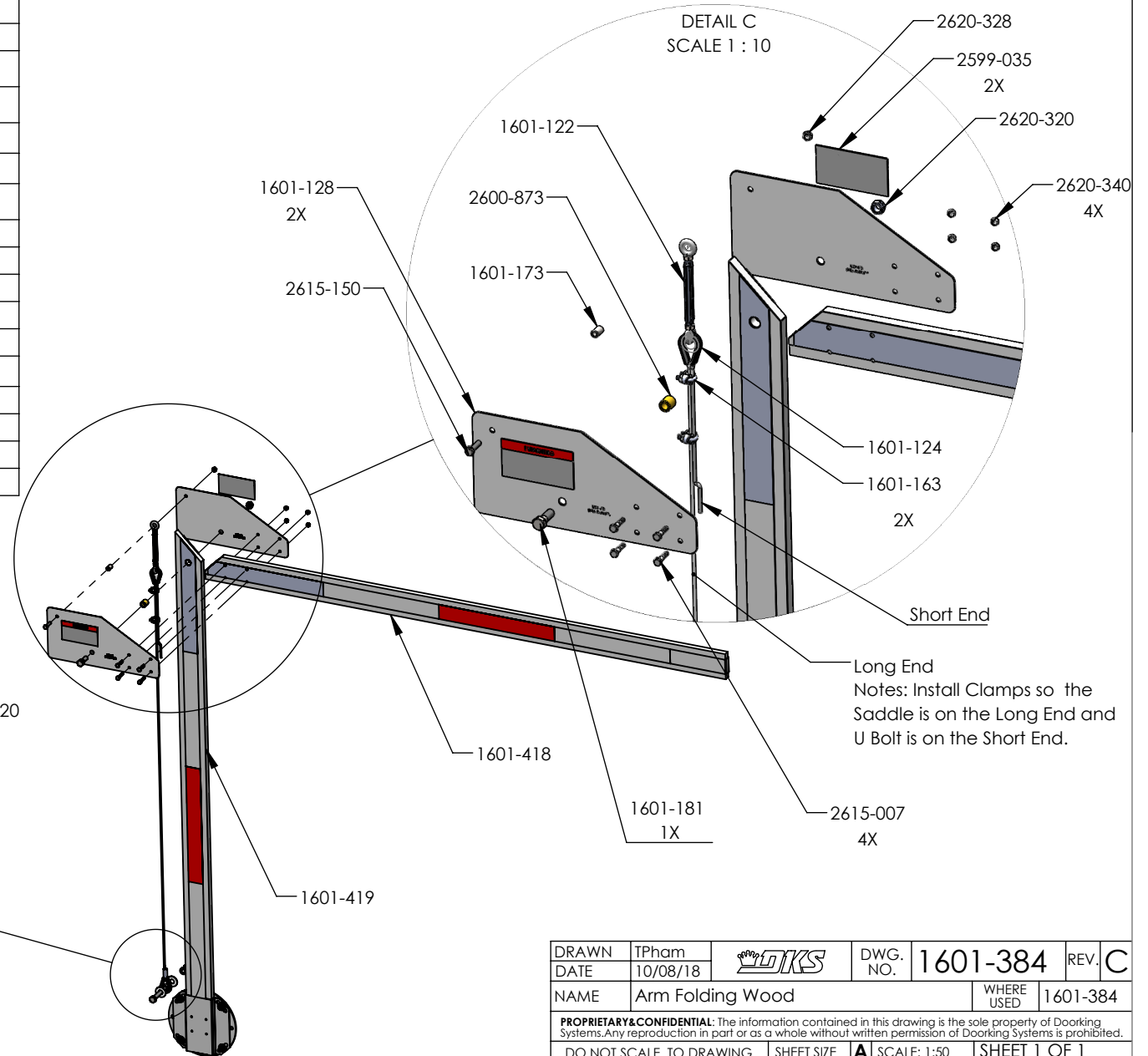


PartNo	Description	Regid/QTY.
1601-121	Cable Steel	1
1601-122	Turnbuckle Stainless	1
1601-124	Thimble Eye Bare End	1
1601-128	Plate Folding Arm Wood	2
1601-163	Cable Clamp 1/8 Dia Rope	2
1601-173	Bushing Steel 1/2 x 5/16 x 13/16L	1
1601-267	Manual Installation Elbow Wood	1
1601-418	Arm Wood Folding Assy Red White Outr	1
1601-419	Arm Wood Folding Assy Red White Inner	1
2599-035	Label 1601 Warning	2
2600-147	Spacer Steel .75 OD x .53 ID x .56 L	1
2600-873	Bushing Bronze 3/4 OD x 1/2 ID x .8125	1
2615-007	Bolt Hex Head 1/4-20 x 1.25	4
2615-150	Bolt Hex 5/16-18 x 1.25 Grade 8	1
2615-181	Bolt Hex Head 1/2-13 x 1 1/2	1
2615-188	Bolt Hex 1/2-13 x 3.5	1
2620-030	Washer 1/2 ID USS	2
2620-050	Washer Split 1/2	1
2620-320	Nut 1/2-13 Lock	1
2620-328	Nut Center Lock 5/16-18	1
2620-340	Nut Center Lock 1/4-20	4
2620-420	Nut 1/2-13 Hex	1

REVISIONS			
REV.	DESCRIPTION	DATE	APPROVED
A	Created new Number for Red-White Tape Assy	02/12/12	DC
B	Created Drawing for 1601-384; 2615-181 was 2615-188; 2620-050 1X was 2X; 2620-420 1X was 3X; 2620-030 2X was 3X; 1601-163 2X was 1601-123 1X	10/8/2018	TPham
C	2615-188 3.5"Bolt was 2615-181 1.5"Bolt	2/10/2022	Tpham



DRAWN	TPham		DWG. NO.	1601-384	REV.	C
DATE	10/08/18		WHERE USED	1601-384		
NAME	Arm Folding Wood					
<b>PROPRIETARY &amp; CONFIDENTIAL:</b> The information contained in this drawing is the sole property of DoorKing Systems. Any reproduction in part or as a whole without written permission of DoorKing Systems is prohibited.						
DO NOT SCALE TO DRAWING			SHEET SIZE	A	SCALE: 1:50	SHEET 1 OF 1