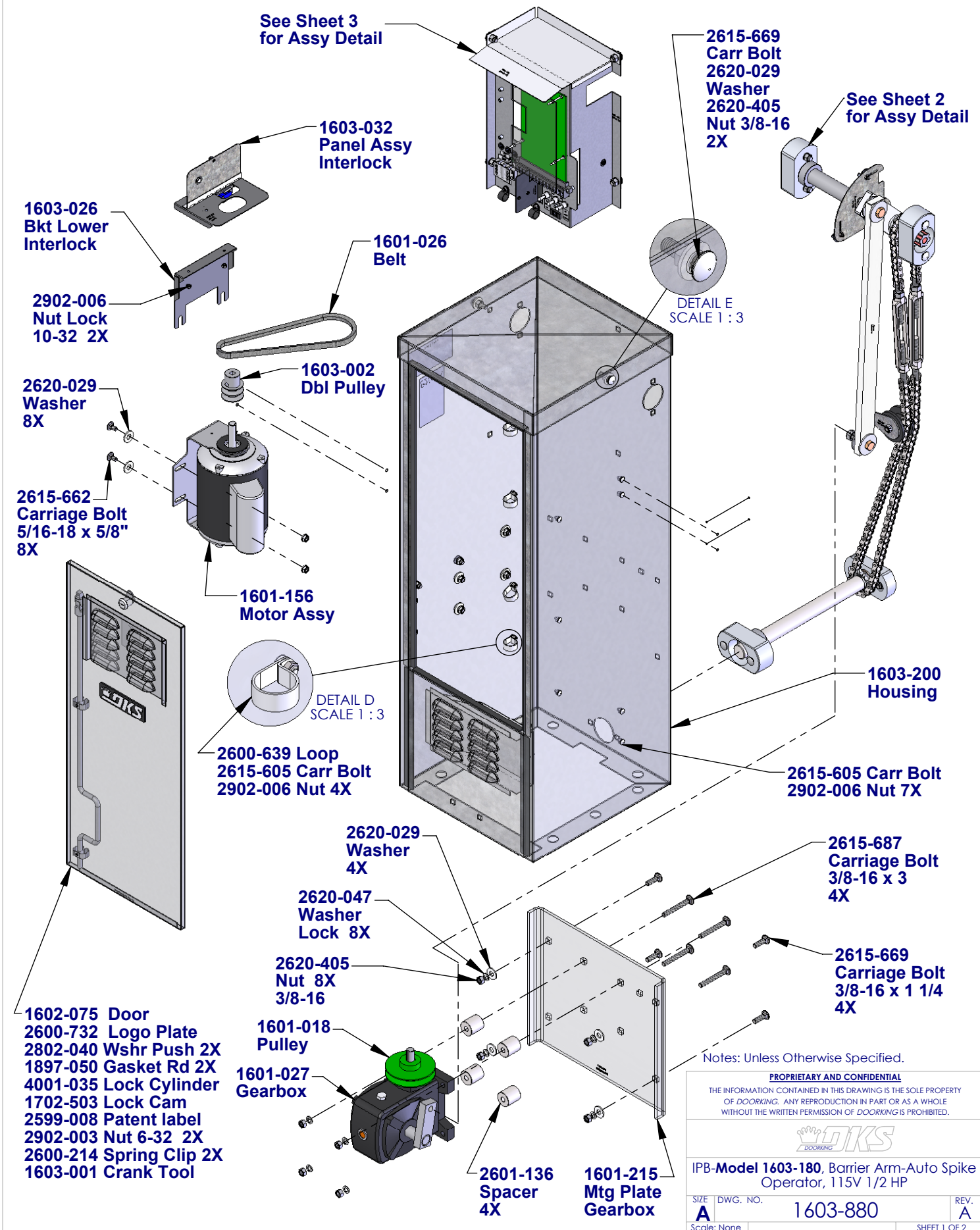
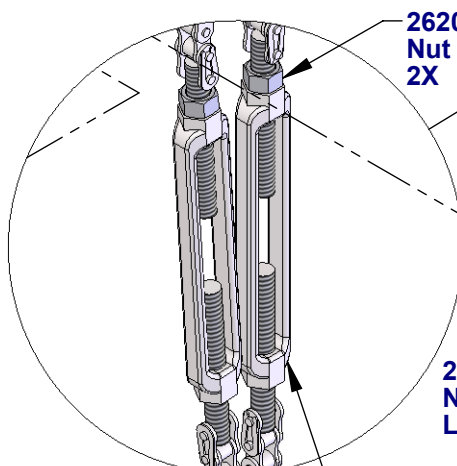
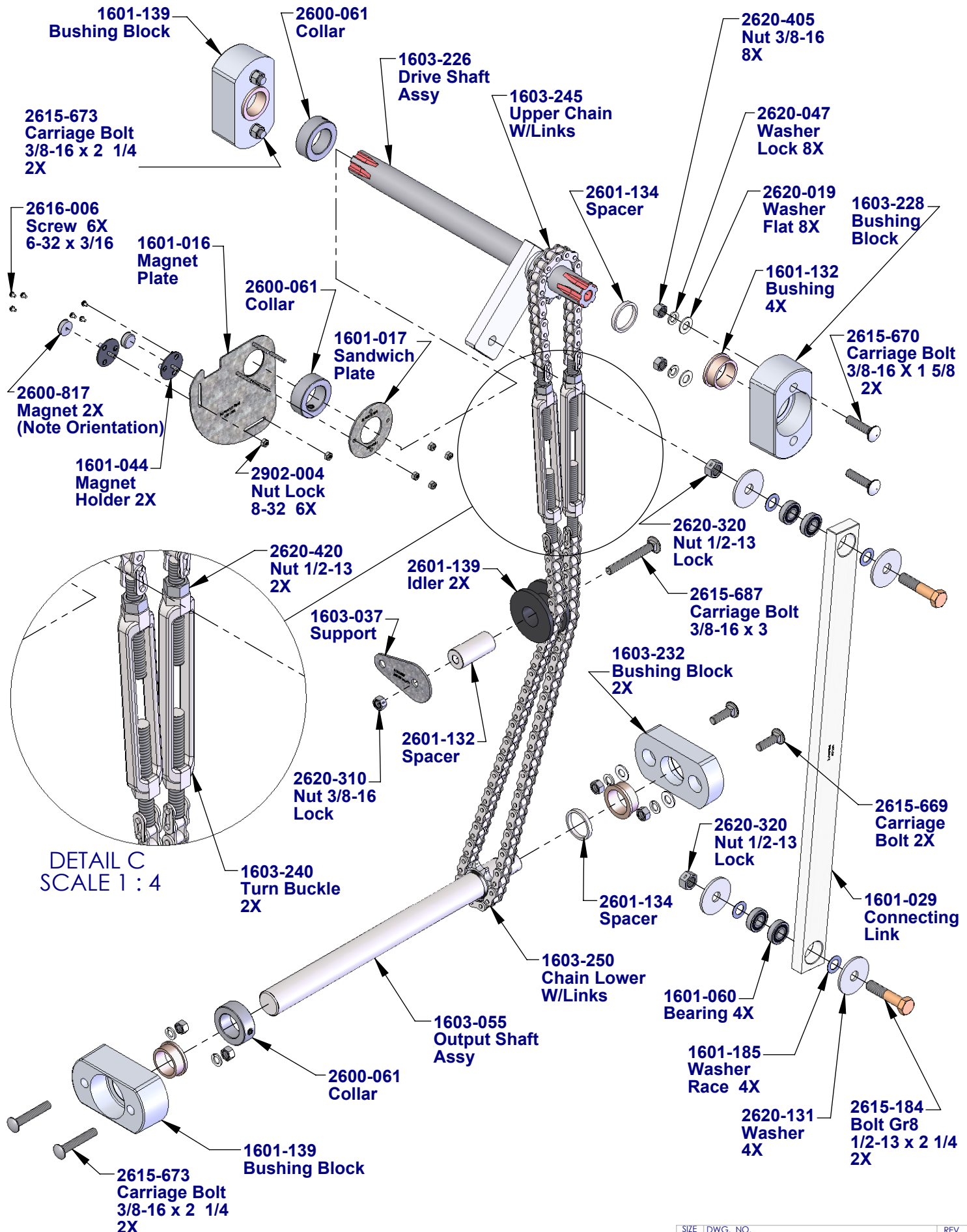


REVISIONS

REV.	DESCRIPTION	DATE	APPROVED
A	New Drawing	9/20/2013	DC





DETAIL C
 SCALE 1 : 4

