



Wiegand Keypad Installation and Programming

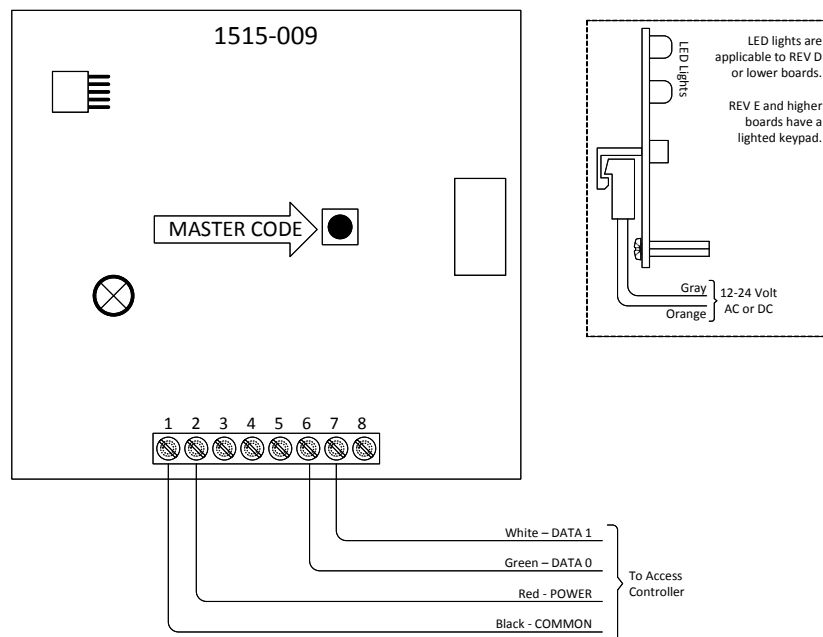
These instructions apply to the following DoorKing Digital Keypads: 1815-051, 1815-052, 1815-059, 1838-120, 1504-120 with circuit board P/N 1515-009.

When used to control entry through an automated vehicular gate system, the keypad must be mounted a minimum of 6-feet away from the gate and gate operator, or mounted in such a way that the person using the keypad cannot come into contact with the gate or gate operator.

These keypads output their data in a 26-bit wiegand format and must be connected to an access controller such as the DKS models 1833, 1835, 1837 or 1838.

WIRING

Term 1	Input power 12-24 volt AC or DC NEGATIVE / WIEGAND COMMON (BLACK)
Term 2	Input power 12-24 volt AC or DC POSITIVE (RED)
Term 3	Earth Ground
Term 4	Wiegand COMMON
Term 5	Not Used
Term 6	Wiegand DATA 0 (GREEN)
Term 7	Wiegand DATA 1 (WHITE)
Term 8	Not Used



PROGRAMMING

MASTER CODE

1. Press the master code button on the circuit board once.
2. Enter a four-digit code ____ then press * (beep).

FACILITY CODE

1. Press * 4 and the four-digit master code ____ (beep).
2. Enter a three-digit facility code ___ (000-255) then press * (beep).
3. Press 0 # together to end the programming (beeeeeep).
4. NOTE: If facility codes are not used, skip this step.

ENTRY CODE BOUNDARIES

Entry codes between the boundary limits will weigand out to the controller. Entry codes outside the boundary limits will not weigand out. Set the boundary limits so that the entry codes do not duplicate any card or transmitter codes that are programmed into the controller. For example, if transmitter codes 01000 through 02000, and card codes 06000 through 07000 are already being used and programmed into the access controller, you could set the lower boundary to 03000 and the upper boundary to 05000. This prevents a five-digit entry code from accidentally duplicating a card or transmitter code.

FIVE DIGIT BOUNDARIES

1. Press * 5 and enter the four-digit master code ____ (beep).
2. Enter a five-digit lower boundary _____ then press * (beep).
3. Enter a five-digit upper boundary _____ then press * (beep).
(To remove five-digit boundaries, enter 0 0 0 0 0 in step 2, and 65405 in step 3.)
4. Press 0 # together to end the programming (beeeeeep).

Four digit entry code note

The keypad will respond to four-digit entry codes if they are entered on the wiegand keypad with the # key being pressed first (which is normal for four-digit entry codes). For example, the tenant presses “#-1-2-3-4” (or whatever the 4-digit code is). The # automatically defaults to “0”, so if “#-1-2-3-4” is entered on the keypad, the 5-digit code “0-1-2-3-4” is sent to the controller. The door/gate will open provided that the 5-digit weigand code “0-1-2-3-4” is programmed as a device code.

ANDRIOD SMARTPHONE APPS – Free download at Google Play Store

(Can be used with the 1815-059 keypad only)

DKS Smart Open App – allows users to use their Android smartphone to activate the digital lock.