

Water Sensor with Relay Contact

- ◆ Will detect any conductive non-flammable liquid
 - ◆ Ideal anywhere water damage could occur
- ◆ Automatic reset
 - ◆ 6 ft jacketed lead standard
 - ◆ Custom lead length available
- ◆ Available in 5 VDC, 12 VDC and 24 VDC
 - ◆ Closed and Open loop versions

Undetected water damage, such as that caused by leaking pipes or corroded water heaters, cost homeowners tens of thousands of dollars each year. Such repairs are time consuming and costly to correct. Applications could include computer room sub-floor areas, telephone equipment rooms, bathrooms, laundry rooms, any areas adjacent to a water storage tank or piping. Also evaporative air conditions, drip pans, overflows and/or drains.

Using no mechanical parts, the GRI Water Sensors are triggered by a moisture bridge across the sensor contacts. The GRI Water Sensors can be installed to detect a layer of water as minute as 1/16 of an inch in depth.

The 2600 Closed Loop Sensors use an external power source to energize a built-in relay contact so battery power is not recommended. Used in a closed loop configuration, an alarm condition will occur when moisture is detected, or if power to the sensor is lost, and if the sensor should fail. The relay output can be wired directly to any alarm panel or can be used to actuate an external device, i.e. transmitter, annunciator, etc.

In sump pumps and areas of high humidity, GRI recommends a low sensitivity version: 2600-LS, 2600T-LS.

The 2500 Open Loop Sensors use an external power source which will energize a built-in relay contact when water is detected. With the configuration the sensors are not fail safe. The relay output can be wired directly to any alarm panel or can be used to actuate an external device, i.e. transmitter, annunciator, etc.



<u>Part Numbers</u>	
<u>Closed Loop</u>	<u>Configuration</u>
2600/2600T	Normally Closed for a closed loop circuit 12 Volts DC
2600-LS/2600T-LS	Normally Closed for a closed loop circuit 12 Volts DC low sensitivity
2600T-P	Remote sensor with 36" leads (works with 2600T and 2500T)
2605	Normally Closed for a closed loop circuit 5 Volts DC
2624	Normally Closed for a closed loop circuit 24 Volts DC
2600K	Normally Open for a closed loop circuit 12 Volts DC (w/1-2600T-PHS sensor)
2600T-PHS	Remote sensor case with terminal connections for 2600K and 2500K
<u>Open Loop</u>	<u>Configuration</u>
2500/2500T	Normally Open for an open loop circuit 12 Volts DC
2600T-P	Remote sensor with 36" leads (works with 2500T and 2600T)
2505	Normally Open for an open loop circuit 5 Volts DC
2524	Normally Open for an open loop with 24 Volts DC
2500K	Normally Open for an open loop circuit 12 Volts DC (w/1 - 2600T-PHS sensor)
2600T-PHS	Remote sensor case with terminal connections for 2500K and 2600K

WARRANTY: One year warranty against workmanship, material and factory defects.

Water Sensor with Relay Contact

INSTALLATION INSTRUCTIONS:

GRI 2505, 2605, 2600, 2524, and 2624 Water Sensors: When connecting these sensors to the panel, the red wire is connected to the positive side of the positive side of the auxiliary power supply and the black wire is connected to the negative. The green and white wires can then be connected to the pre-selected Closed Loop zone. A resistor can be connected in series with either the green or white wire for those panels that require end-of-line resistors.

GRI 2500T, 2600T, 2500T-P, 2600T-P, 2524T, 2624T, 2500K and 2600K Sensors: Provide a means of detecting water in difficult to monitor locations, such as under carpets and in drop ceiling panels. This is accomplished by mounting 1 or more 2600T-P or 2600T-PHS's in various locations around the area to be monitored, then run the sensor wires to the terminal screws on the 2600T or 2624T. These can then be wired for power as described above the 2600 Water Sensor. The 2500T and 2600T include two 2600T-P sensors. (A maximum of ten 2600T-P's can be connected to each 2600T.) The 2500K and 2600K include one 2600T-PHS sensor.

After installation these units should be tested with a damp sponge or paper towel and inspected annually. If there is any corrosion or damage the sensor should be replaced.

Closed Loop Specifications

Power Requirements:

2600 Operating Voltage	12 Volts DC
2605 Operating Voltage	5 Volts DC
2624 Operating Voltage	24 Volts DC
Operating Current	12 mA

Wire Contacts:

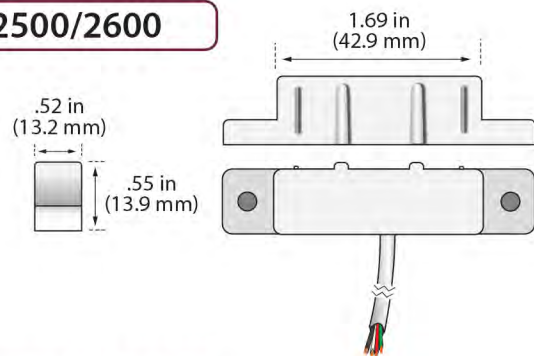
Red Wire	+12 Volts DC
Black Wire	-Ground
Green Wire	Relay Contact
White Wire	Relay Contact

Contact Characteristics:

Contact Resistance	100mΩ
Switching Voltage	30 VDC Max
Switching Current	500 mA Max
Power	250 mW Max

*Note: Battery power not recommended.

2500/2600



2500T/2600T

