

Liquid Level Detector

WWW.GRISK.COM



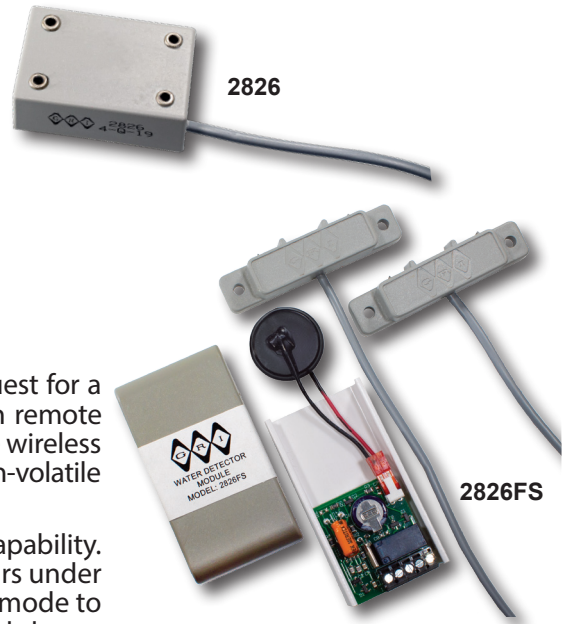
2826 / 2826FS

- ◆ Detects non-volatile liquids
- ◆ For use with wireless transmitters
 - ◆ Installs easily
 - ◆ C Form relay contacts
 - ◆ Fail safe version available

APPLICATION:

The GRI 2826 detector was designed in response to a direct request for a small electronic sensor capable of detecting non-volatile liquids in remote hard to reach locations. The sensor, in conjunction with your favorite wireless transmitter, can be used to detect and report the encroachment of non-volatile liquids into an isolated sensitive location.

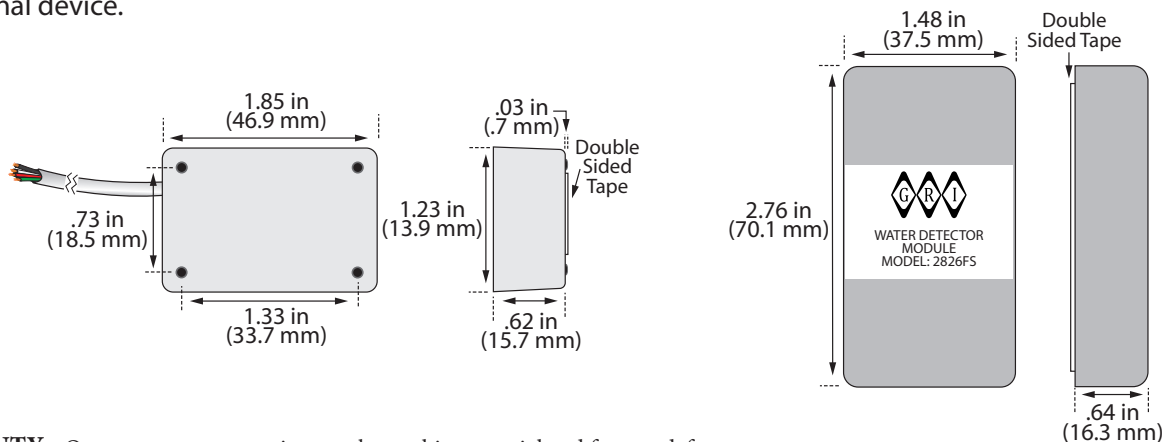
The new 2826FS from GRI provides remote probes plus a *fail safe* capability. When the on board battery expends the last of its power, 3 to 5 years under normal conditions, the 2826FS automatically places itself in a safe mode to help prevent danger to devices, property and/or people. This *safe* mode keeps the zone assigned to the 2826FS in an alarm condition. This causes an authorized person or an alarm technician to physically inspect the 2826FS and replace the battery, prior to resettling and re-arming the system.



DESCRIPTION:

The GRI 2826 detector is an internally powered, microprocessor controlled device that samples the conductivity between any two adjacent sensor points located on the bottom of the device. Power consumption is less than 1 micro-amp while in the standby mode. This allows for an extended duty cycle.

Relay contacts are latched in an open or closed position based on the conductivity measured between the sensors. External wire connections are provided to allow access to the C form relay contacts for output control of an external device.



WARRANTY: One year warranty against workmanship, material and factory defects.

GEORGE RISK INDUSTRIES, INC.
G.R.I. PLAZA
KIMBALL, NE 69145

WWW.GRISK.COM



1-800-445-5218
1-800-523-1227
(308) 235-4645
FAX (308) 235-3561
E-MAIL: sales@grisk.com

Liquid Level Detector

WWW.GRISK.COM



INSTALLATION INSTRUCTIONS

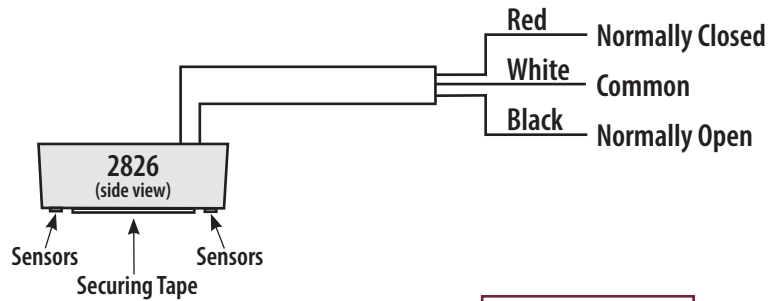
2826 Liquid Level Detector

To install the GRI 2826 detector, place the unit where liquid is most likely to accumulate. Clean and dry the desired placement location. A smooth surface is preferable and preparing surface by using an alcohol wipe is recommended. Remove protective paper from double sided tape, then stick the unit to the cleaned surface.

To connect the 2826 detector wires to an external device, see the installation instructions for that device.

Use the white and red wires for a closed loop circuit, or the white and black wires for an open loop circuit. After installation these units should be tested with water and inspected annually. If there is any corrosion or damage the sensor should be replaced.

Specifications	
Ave. Duty Cycle at Manufacturer	Approx. 5 years
Contact Wires	22 ga. 36"
Contact Rating:	
Nominal Switching Capacity	2A @ 30VDC
Max. Switching Power	60 W
Max. Switching Voltage	220 VDC
Max. Switching Current	2 A



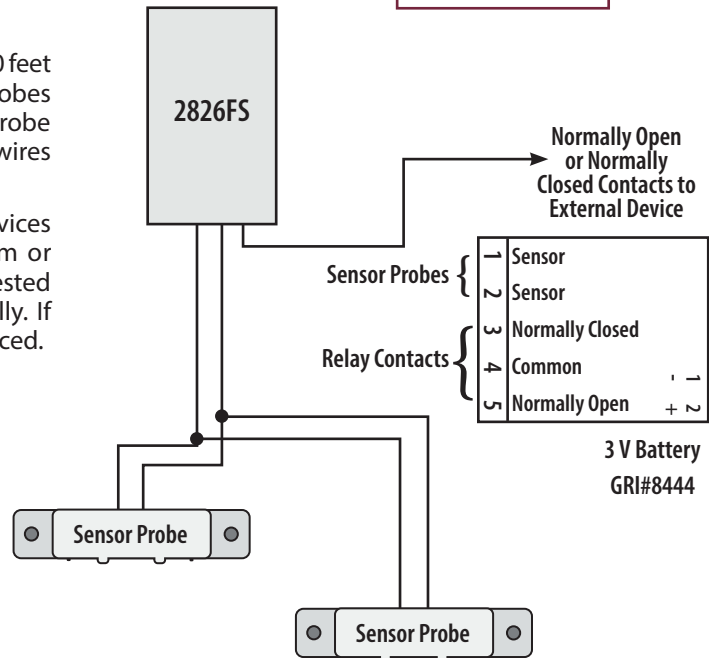
WIRING DIAGRAMS

2826FS Liquid Level Detector

Mount the 2826FS detector relay on a wall no more than 100 feet from desired location to be monitored. Mount the sensor probes at locations where liquid pooling is most likely to occur. Run probe wires from sensor probes to the detector relay and connect wires to sensor terminals. Wire all sensor probes in parallel.

Use the relay contact terminals to connect to external devices such as wireless transmitters or connect directly to alarm or controller systems. After installation these units should be tested with a damp sponge or paper towel and inspected annually. If there is any corrosion or damage the sensor should be replaced.

Specifications	
Probe with 36" leads	GRI #2826-P
Battery with connector	GRI #8444
Battery life	Approx. 4 years
Contact Rating:	
Nominal Switching Capacity	2A @ 30VDC
Max. Switching Power	60 W
Max. Switching Voltage	220 VDC
Max. Switching Current	2 A
Max. Number Sensor Probe	10
Max. Wire length for detector to probe	100 foot



GEORGE RISK INDUSTRIES, INC.
G.R.I. PLAZA
KIMBALL, NE 69145

WWW.GRISK.COM



1-800-445-5218
1-800-523-1227
(308) 235-4645
FAX (308) 235-3561
E-MAIL: sales@grisk.com