

Instructions

●●●●●●●●●●
CALRAD
Electronics

For technical assistance
call: 323-465-2131

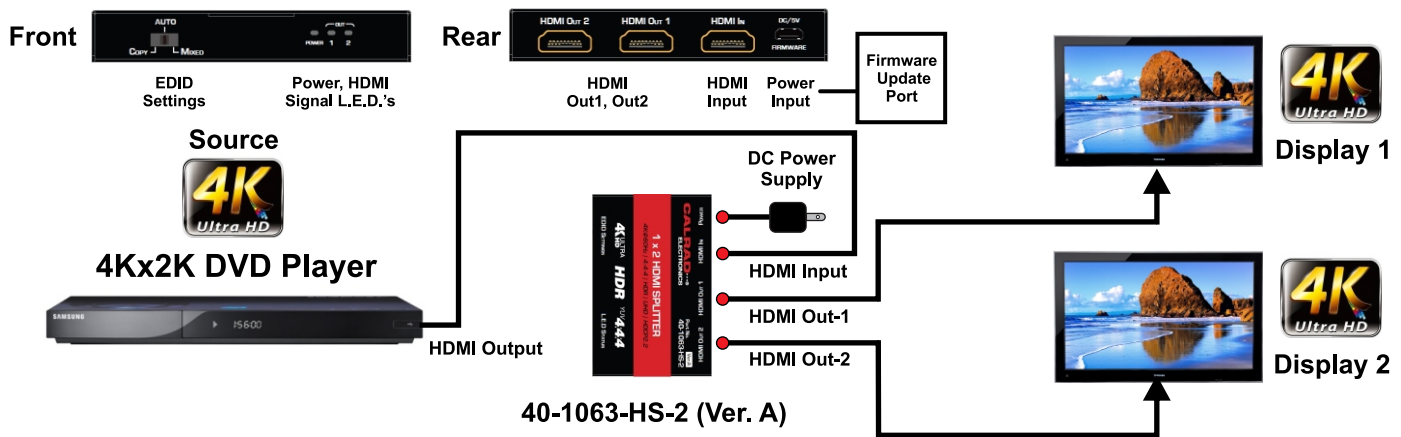
**40-1063-HS-2 (Ver A)
2 Way 4Kx2K@60,
4:4:4 HDMI Splitter
with HDR**



Description

The Calrad 40-1063-HS-2 (HDR), 2 way HDMI splitter with HDR Accepts Ultra HD 4Kx2K 30/60Hz HDMI video sources and splits the signal to two separate outputs simultaneously without loss of quality or resolution. Perfect for use with 4K Ultra HD displays or other types of 4K signal distribution. Works with all compatible 4Kx2K HDMI baluns and audio-video hardware. Two HDMI L.E.D. signal indicators illuminate when HDMI signal connectivity is working on each output 1-2. A power L.E.D. indicator indicates the unit has 5Vdc power. EDID management, a convenient front panel 3 position slide switch for setting EDID preferences to help minimize connectivity delays and signal issues. Power is provided by a 5Vdc USB plugin module with a USB type 'A' jack power supply, includes a 2 ft. USB Male Type 'A' to Male Micro USB interface cable.

Typical Hookup



Specifications

All product information and specifications subject to change without notification.

- **Connectors:** Input: 1 x HDMI Jack, **Outputs:** 2 x HDMI Jacks, DC Power 1x Micro USB Port
- **HDTV Resolutions:** 4k x 2k (3840 x 2160@60Hz, YUV 4:4:4), 1080p, 1080i, 720p, 480p
- **HDCP Support:** V1.4 - V2.2
- **Bandwidth:** 18Gb, Up to 600Mhz / 3.4Gbps per Channel
- **Supports:** HDR, 3D, HDCP 1.4 to 2.2, 12bit per channel (36bit all channel) deep color
- **Audio Support:** LPCM 7.1, DTS Digital, Dolby Digital, DTS-HD and Dolby True HD
- **EDID Modes:** Slide switch to select 3 EDID Modes: Mixed EDID, Copy EDID, Auto EDID (Default 4Kx2K output)
- **Front Panel L.E.D Indicators:** 1 x Power, 1 x HDMI Out1, 1 x HDMI Out2
- **Power Supply:** USB Type 'A' Jack, DC 5V/1A
- **USB Power Cable:** 1 x 2 ft. USB Male Type 'A' to Male Micro USB
- **Firmware Updates:** Please contact our Technical Support department for further details
- **Operating Temperature:** -5 to +35 degrees C
- **Operating Humidity:** 5 to 90% RH (No Condensation)
- **Case:** Metal, **Color:** Black
- **Dimensions:** 5.9" L x 2.53" W x 0.67" H
- **Weight:** 0.26 lbs.

Page 1 of 2

40-1063-HS-2VERA-05242018-WB

www.calrad.com

Instructions



For technical assistance
call: 323-465-2131

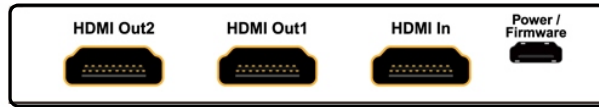
Front Panel



**EDID
Settings
Switch**

**Power, HDMI
Signal L.E.D.'s**

Rear Panel



**HDMI
Out1, Out2**

**HDMI
Input
Power
Input**

**40-1063-HS-2 (Ver A)
2 Way 4Kx2K@60,
4:4:4 HDMI Splitter
with HDR**

EDID Settings

(Copy EDID) Output 1 is the priority port:

(A.) When output 1 is connected to one display, another display which is connected to output 2 will follow the resolution of output 1.

(B.) When output 1 is disconnected, output 2 will default to 4K x 2K@ 60hz

(Auto EDID) Outputs 1, 2 defaults to 4K x 2K@ 60hz

(Mixed EDID) Will Always follow the lowest resolution of the displays connected to 1-4 outputs in order for all displays to show the source signal.

The HDCP Version is prior to EDID when the source is HDCP 2.2 and if the TV display supports HDCP 2.2 the output will output a 4K x 2K @60hz resolution. If the TV display does not support HDCP2.2, it will only output a 1080P resolution.

Input Source	HDMI Display Supports HDCP2.2	HDMI Display Does not support HDCP2.2
HDCP2.2, 4K x 2K@ 60Hz	HDCP2.2, 4K x 2K@ 60Hz	HDCP1.4, 1080p@ 60Hz
HDCP2.2, 4K x 2K@ 24Hz	HDCP2.2, 4K x 2K@ 24Hz	HDCP1.4, 1080p@ 24Hz
HDCP1.4, 4K x 2K@ 24Hz	HDCP1.4, 4K x 2K@ 24Hz	HDCP1.4, 4K x 2K@ 24Hz

Troubleshooting

No Video from HDMI Input Source to Out1-Out4 Displays: 1.) Is the front panel power L.E.D. illuminated? 2.) Verify the DC power supply is plugged in and the power cable\connector is secure and connected properly. If the 40-1063-HS-4 (Ver A) is plugged into a un-switch ac power outlet. 3.) Check all HDMI cable connectivity, verify that the HDMI Input and output L.E.D.'s are illuminated to indicate presence of HDMI connectivity and signal. 4.) Verify the source is present by connecting the source output directly to each of your displays to make sure all displays work independently. 5.) Verify that the source output resolution is compatible with the displays connected to the 40-1063-HS-4 (Ver A).

No Video from Stereo Receiver to Out1-Out4 Displays: 1.) Check all HDMI cable connectivity, verify that the HDMI output L.E.D.'s are illuminated to indicate presence of HDMI connectivity and signal. 2.) If the Stereo Receiver has the ability to update HDMI firmware, then verify that your Stereo Receiver has the latest firmware installed, if not update the firmware and retest. Some Stereo Receiver manufactures provide advanced settings for display-monitor outputs that may impact or effect the operation of the 40-1063-HS-4 (Ver A) 4 way splitter, look at the owners manual for further details on these settings. **For any additional support issues please contact our Technical Support department at: Tel 323-465-2131, M-F 8:00 am - 4:00 pm PST.**