

Instructions

CALRAD
Electronics

For technical assistance
call: 323-465-2131

**40-1063-HS-4 (Ver A)
4 Way 4Kx2K@60,
4:4:4 HDMI Splitter
with HDR**

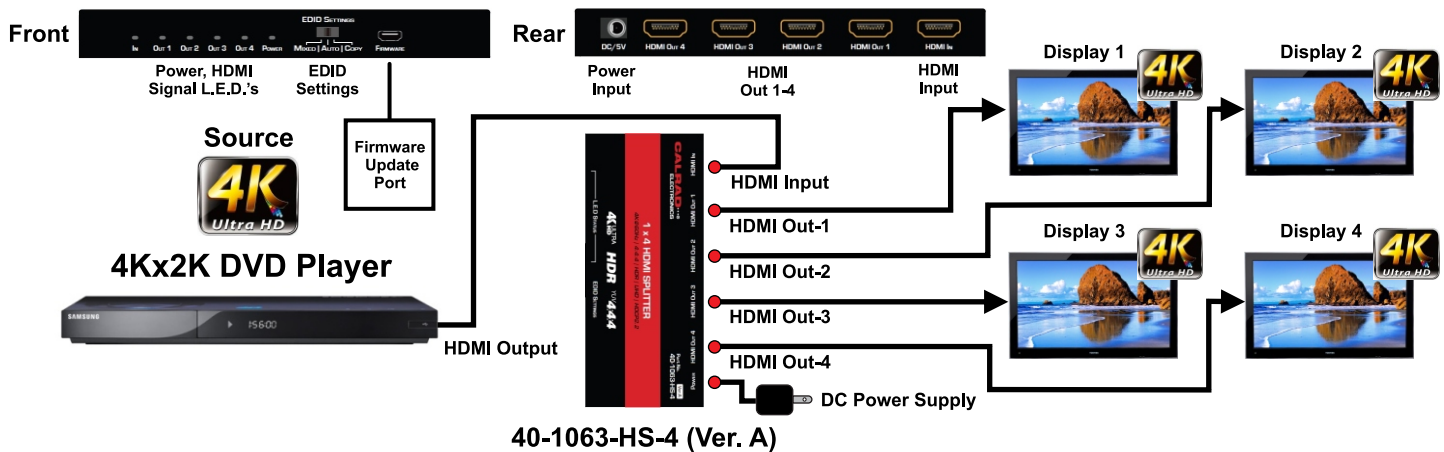


5Vdc Power Supply

Description

The Calrad 40-1063-HS-4 (Ver A), 4 way HDMI splitter with HDR Accepts Ultra HD 4Kx2K 30/60Hz HDMI video sources and splits the signal to four separate outputs simultaneously without loss of quality or resolution. Perfect for use with 4K Ultra HD displays or other types of 4K signal distribution. Works with all compatible 4Kx2K HDMI baluns and audio-video hardware. One L.E.D. HDMI Signal Indicator Illuminates when a source HDMI input signal is present. Four L.E.D. HDMI signal indicators illuminate when HDMI signal connectivity is working on each output 1-4. A power L.E.D. indicator indicates the unit has 5Vdc power. EDID management, a convenient front panel 3 position slide switch for setting EDID preferences to help minimize connectivity delays and signal issues.

Typical Hookup



Specifications

All product information and specifications subject to change without notification.

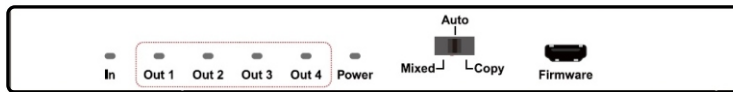
- **Connectors:** Input: 1 x HDMI Jack, **Outputs:** 4 x HDMI Jacks, DC Power 1x Female 2.1mm Power Coax Jack
- **HDTV Resolutions:** 4k x 2k (3840 x 2160@60Hz, YUV 4:4:4), 1080p, 1080i, 720p, 480p
- **HDCP Support:** V1.4 - V2.2
- **Bandwidth:** 18Gb, Up to 600Mhz / 3.4Gbps per Channel
- **Supports:** HDR, 3D, HDCP 1.4 to 2.2, 12bit per channel (36bit all channel) deep color
- **Audio Support:** LPCM 7.1, DTS Digital, Dolby Digital, DTS-HD and Dolby True HD
- **EDID Modes:** Slide switch to select 3 EDID Modes: Mixed EDID, Copy EDID, Auto EDID (Default 4Kx2K output)
- **Front Panel L.E.D Indicators:** 1 x Power, 1 x HDMI Input, 1 x HDMI Out1, 1 x HDMI Out2, 1 x HDMI Out3, 1 x HDMI Out4
- **Power Supply:** DC 5V1A
- **Firmware Updates:** Please contact our Technical Support department for further details
- **Operating Temperature:** -5 to +35 degrees C
- **Operating Humidity:** 5 to 90% RH (No Condensation)
- **Case:** Metal, **Color:** Black
- **Dimensions:** 3.7" L x 2.4" W x 1.00" H
- **Weight:** 0.26 lbs.

Instructions



For technical assistance
call: 323-465-2131

Front Panel

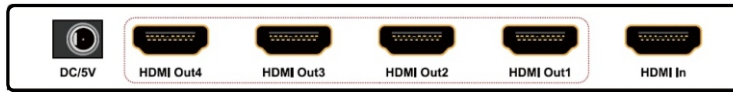


Power, HDMI
Signal L.E.D.'s

EDID
Settings
Switch

Firmware
Update
Port

Rear Panel



Power
Input

HDMI
Outputs 1-4

HDMI
Input

40-1063-HS-4 (Ver A)
4 Way 4Kx2K@60,
4:4:4 HDMI Splitter
with HDR

EDID Settings

(Copy EDID) Output 4 is Prior port. When output 4 is connected to a single display, additional displays when connected to outputs 1/2/3 will follow the Resolution of output 4.

(Auto EDID) Outputs 1, 2, 3, 4 defaults to 4K x 2K @60hz

(Mixed EDID) Always follows the lowest video signal resolution of the displays connected to either outputs 1, 2 supports both outputs in order to show the video source.

The HDCP Version is prior to EDID when the source is HDCP 2.2 and if the TV display supports HDCP 2.2 the output will output a 4K x 2K@ 60hz resolution. If the TV display does not support HDCP2.2, it will only output a 1080P resolution.

Input Source	HDMI Display Supports HDCP2.2	HDMI Display Does not support HDCP2.2
HDCP2.2, 4K x 2K@ 60Hz	HDCP2.2, 4K x 2K@ 60Hz	HDCP1.4, 1080p@ 60Hz
HDCP2.2, 4K x 2K@ 24Hz	HDCP2.2, 4K x 2K@ 24Hz	HDCP1.4, 1080p@ 24Hz
HDCP1.4, 4K x 2K@ 24Hz	HDCP1.4, 4K x 2K@ 24Hz	HDCP1.4, 4K x 2K@ 24Hz

Troubleshooting

No Video from HDMI Input Source to Out1-Out4 Displays: **1.)** Is the front panel power L.E.D. illuminated? **2.)** Verify the DC power supply is plugged in and the interface cable is secure and connected properly. If the 40-1063-HS-4 (Ver A) is powered from a external USB port and not the DC power supply that is included, make sure it has enough current to power the splitter, use the 40-1063-HS-4 (Ver A) 5Vdc power supply to power the splitter to verify any power issues. **3.)** Check all HDMI cable connectivity, verify that the HDMI output L.E.D.'s are illuminated to indicate presence of HDMI connectivity and signal. **4.)** Verify the source is present by connecting the source output directly to each of your displays. **5.)** Verify that the source output resolution is compatible with the displays connected to the 40-1063-HS-4 (Ver A).

No Video from Stereo Receiver to Out1-Out4 Displays: **1.)** Check all HDMI cable connectivity, verify that the HDMI output L.E.D.'s are illuminated to indicate presence of HDMI connectivity and signal. **2.)** If the Stereo Receiver has the ability to update HDMI firmware, then verify that your Stereo Receiver has the latest firmware installed, if not update the firmware and retest. Some Stereo Receiver manufactures provide advanced settings for display-monitor outputs that may impact or effect the operation of the 40-1063-HS-4 (Ver A) 4 way splitter, look at the owners manual for further details on these settings. **For any additional support issues please contact our Technical Support department at: Tel 323-465-2131, M-F 8:00 am - 4:00 pm PST.**

Page 2 of 2

40-1063-HS-4VERA-05242018-WB