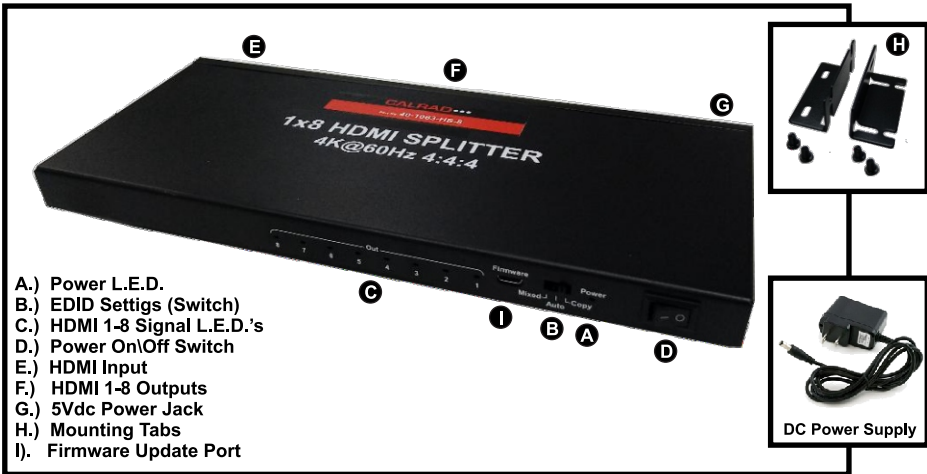


Brochure\Instructions



For technical assistance
call: 323-465-2131

Part No. **40-1063-HS-8**
4Kx2K@60 (YUV4:4:4)
3D, Ultra HD
1x8 HDMI Splitter



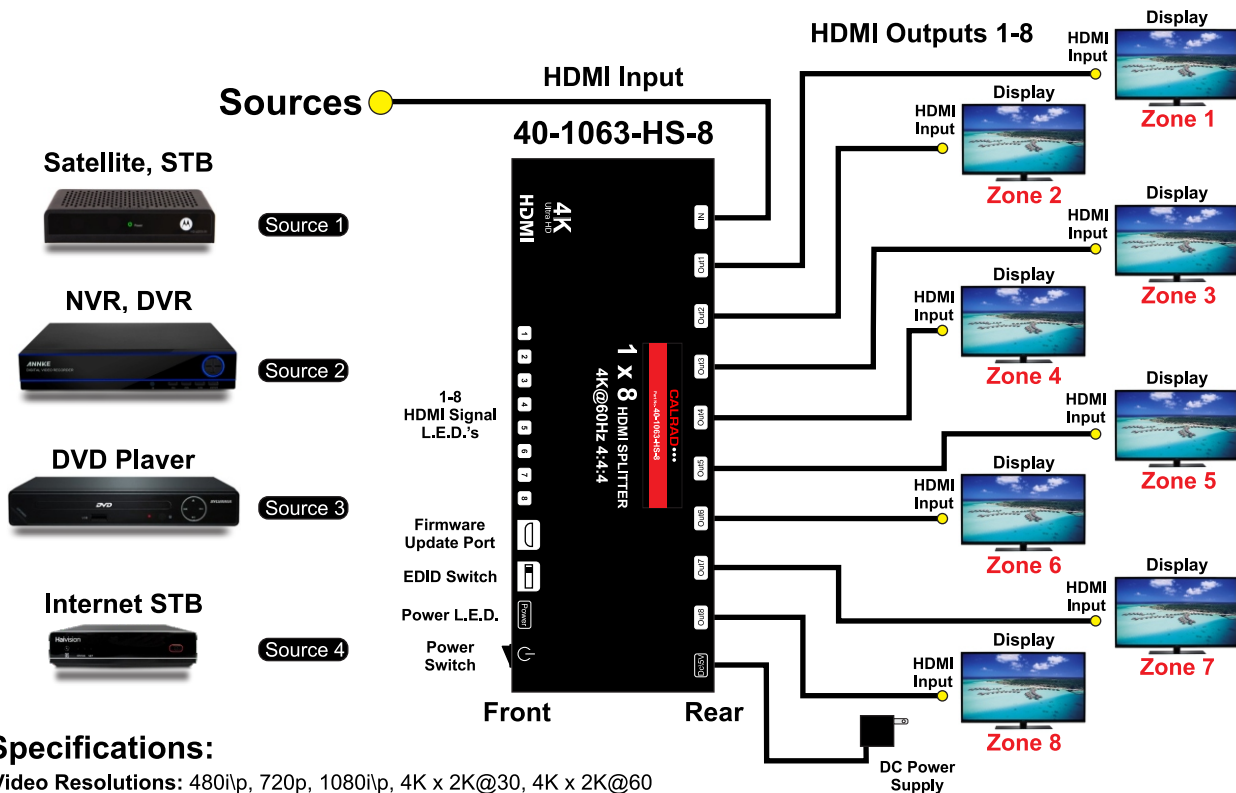
- A.) Power L.E.D.
- B.) EDID Settings (Switch)
- C.) HDMI 1-8 Signal L.E.D.'s
- D.) Power On/Off Switch
- E.) HDMI Input
- F.) HDMI 1-8 Outputs
- G.) 5Vdc Power Jack
- H.) Mounting Tabs
- I.) Firmware Update Port



Features \ Technology For all the latest product information visit our website at: www.calrad.com

The Calrad **40-1063-HS-8** 8 Port 4K x 2K distribution amplifier provides a single source to be distributed to multiple displays or to HDMI signal based hardware. Individual L.E.D. signal indicators for each channel. Reliable video signal delivery with advanced EDID management circuitry. The built-in TMDS signal amplifier can send HDMI signals up to 300 feet, using premium certified cables, but for longer cable runs use compatible HDMI balun extenders. Supports LPCM 7.1, Dolby TrueHD, Dolby digital Plus, and DTS-HD Master Audio formats. Perfect for 1:1 video signal delivery with 8 outputs for large scale commercial applications.

Typical Hookup



Specifications:

- Video Resolutions:** 480i/p, 720p, 1080i/p, 4K x 2K@30, 4K x 2K@60
- HDCP Management:** Supports HDCP 1.4 to HDCP 2.2
- HDMI:** V 2.0
- Color:** Supports 36 bit Deep Color, **Bandwidth:** High speed 18Gbps
- 3D:** Full support
- EDID Management:** Mixed EDID, Copy EDID, default 1080p output, default 4Kx2K output
- Signal Management:** TMDS re-clocking \ signal re-generation, HDCP source & display handshake authentication
- Audio:** Supports LPCM 7.1, Dolby TrueHD, Dolby digital Plus, and DTS-HD Master Audio
- Input-Output Connectors:** 9 x HDMI female jacks
- Power Supply:** 5Vdc, 2A
- Size:** L-9.75" W-4.25" x H-0.65", **Chassis Color:** Black

Package Contents

- 1 x 40-1063-HS-8
- 1 x Mounting Hardware
- 1 X 5Vdc, 2A Power Supply
- 1 x Instructions

Part No. **40-1063-HS-8**
4Kx2K@60 (YUV4:4:4)
3D, Ultra HD 1x8 HDMI Splitter

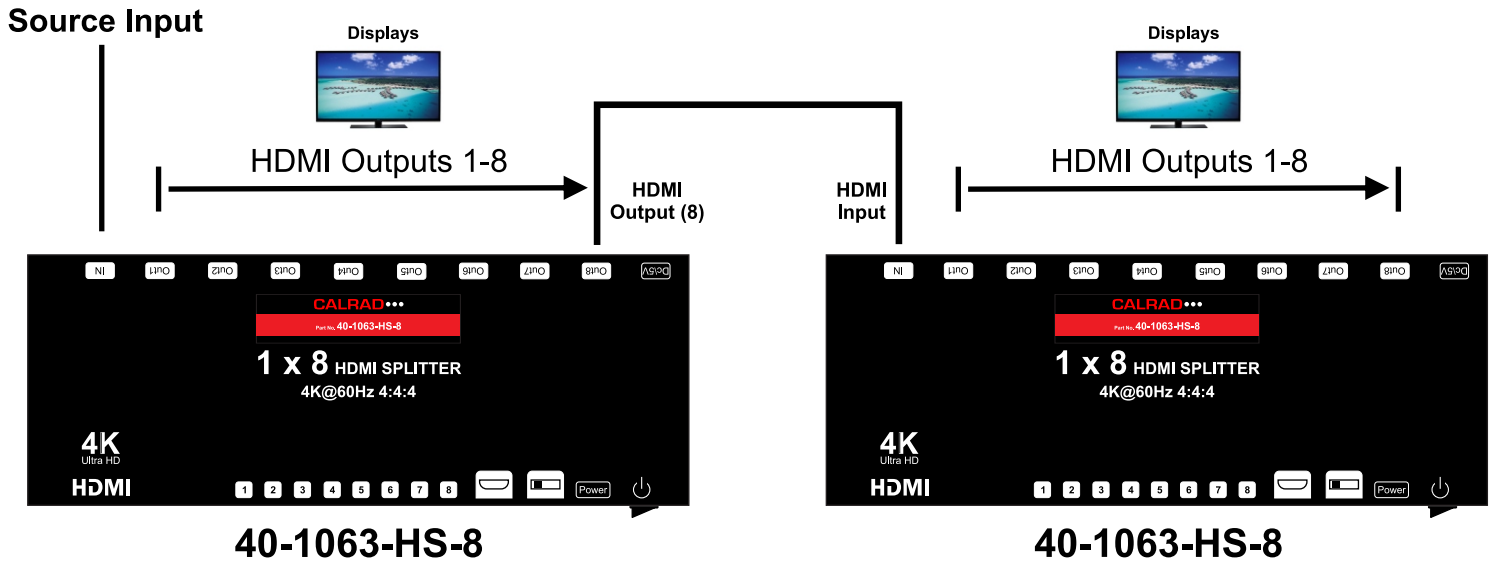


Diagram 1A. Series Connectivity

Diagram 1A shows two **40-1063-HS-8** connected for up to 15 displays. Multiple **40-1063-HS-8** units can be cascaded to expand HDMI signal distribution. For large scale projects, please contact our technical department for assistance at: **323-465-2131, M-F 8:00am - 4:00pm PST.**

EDID Settings (Slide Switch):

Mixed EDID: Always follow the lowest resolution of the displays connected to any of the 8 outputs, in order to support all connected displays.

Copy EDID: Output 8 is prior port.

- When **output 8** is connected to the display, all other displays connected 1-7 will follow the Resolution of output 8.
- When **output 8** is disconnected, all other 7 displays will output 1080p only.

Auto: Default 1080p output: Output a default 1080p source, in this case all outputs will display 1080p if they support resolutions of 1080p and above.

Auto: Default 4Kx2K output: Output a default 4Kx2K source, in this case all outputs will display 4Kx2K if they support a resolution of 4Kx2K.

Please Note! For any EDID changes to take effect, remove power, wait 15 seconds then reapply power

Front Panel (EDID) Slide Switch

