

CALRAD[®] Electronics

For technical assistance call: **323-465-2131**
www.calrad.com

INTEGRATOR SERIES

40-2000 HDMI 1080P BALUN OVER SINGLE CAT5e/6 CABLE Brochure & Instruction Sheet

The 40-2000 balun provides a single UTP category 5e/6 cable solution to deliver pristine digital signals from all HDTV formats and signal sources from 480i/p to 1080i/p. Balun technologies are perfect solutions for replacing a standard HDMI cable that is limited to much shorter distances and difficult to route thru walls and cabinets. Balun technology also offers many advantages when HDTV video technology changes by installing new updated video baluns with the latest technology.

Receiver Transmitter



Sold in Pairs
FCC, UL Approved Devices



Connectivity Diagram 1A.

CABLE DISTANCE:

**CAT5e: 480i, 720p, 1080i - 125 ft.,
1080P - 110 ft., CAT6: 1080p - 150 ft.**

Please Note! We recommend Cat6 cable for reliable 3D signal delivery.

Single Cat5e or Cat6 Cable

Specifications

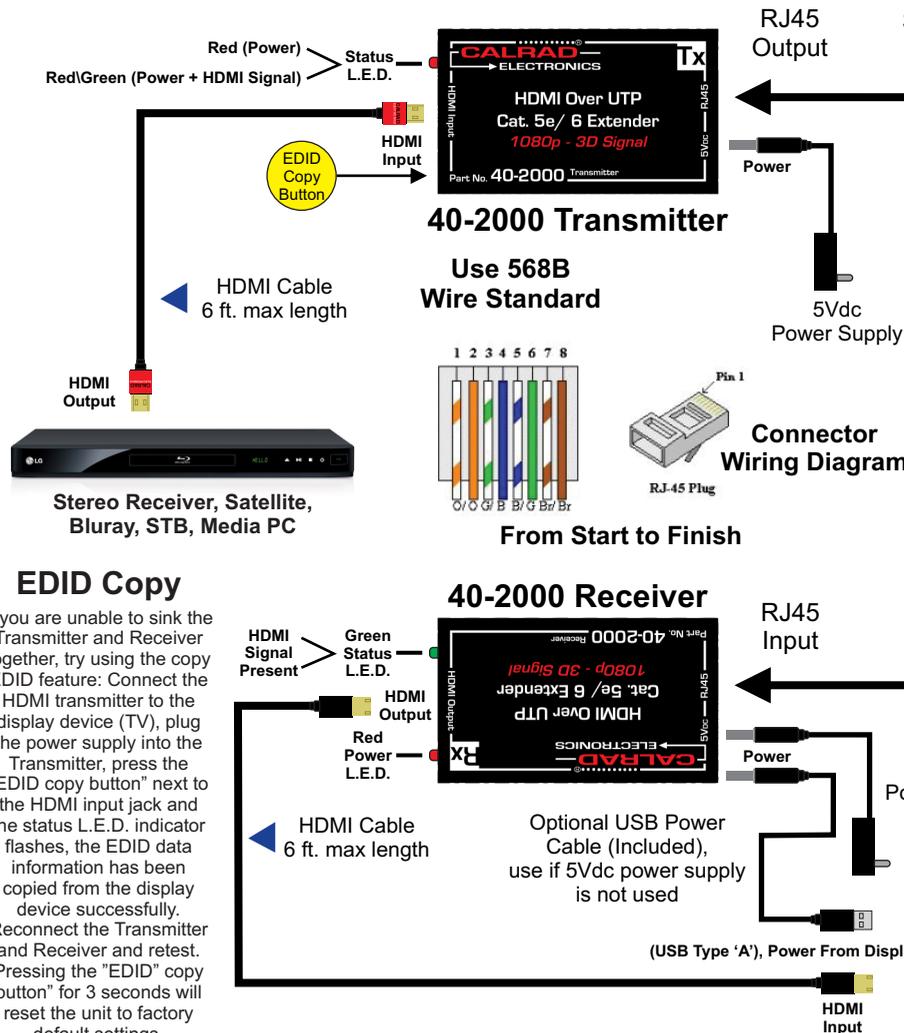
HDTV Resolutions:
Digital Audio: Dolby TrueHD, DTS-HD Master Audio
Cat5e 62M (200 ft. max) 480i/p, 720p, 1080i
Cat5e 33M (110 ft. max) up to 1080P
Cat6 46M (150 ft. max) @ 1080p @ 24/50/60Hz
Connectors: (Transmitter, Receiver): 1 x 19 pin HDMI Female Jack, 1 x RJ45 Shielded Jack, 1 x 2.1mm DC Coax Power jack, each unit
DC Power Supply: 2 x 5V, 1 Amp Regulated
USB Power Adapter: 1 x USB Power Interface Cable
Weight: Transmitter: 125g/ **Receiver:** 125g
Balun Transmitter: L-3.34" x W-1.94" x H-.94"
Balun Receiver: L-3.34" x W-1.94" x H-.94"
Chassis Color: Black

Please Note!

Some distances may vary and are dependent on manufactures individual HDMI specifications. All products should be fully tested prior to committing to a UTP Cat5e, Cat6 solution and sealing long runs of cables inside walls, possibly compromising your installation.

Tech Support

Tel: 323-465-2131, M-F 8:00am - 4:00pm PST.



40-2000-11222016-WB