

# Miniature Overhead Door Switch Set

WWW.GRISK.COM



## 4532 / 4532 L Series



- ◆ Low cost
- ◆ Miniature floor mount
- ◆ Universal magnet for mounting flexibility
  - ◆ Cast aluminum casing for harsh environments
  - ◆ 24" armored cable standard
- ◆ Longer leads available upon request
  - ◆ Mounting hardware included
    - ◆ Optional "L" bracket
    - ◆ For loose overheads
    - ◆ Hermetically sealed
- ◆ Plated contacts resist sticking or freezing
  - ◆ Built-in E.O.L. Resistors and Diodes upon request
- ◆ Switches and magnets available separately
  - ◆ Lifetime Warranty



4532



4532L CE

### Part Numbers

|                  | <u>Closed Loop</u> | <u>Open Loop</u> | <u>SPDT</u> | <u>DPDT</u> |
|------------------|--------------------|------------------|-------------|-------------|
| Gap up to 2 1/2" | 4532               | 4532B            | 4532C       | 4532D-36    |
| Gap up to 2 1/2" | 4532L } CE         | 4532LB           | 4532CL      | 4532DL-36   |

GEORGE RISK INDUSTRIES, INC.  
G.R.I. PLAZA  
KIMBALL, NE 69145

WWW.GRISK.COM



1-800-445-5218  
1-800-523-1227  
(308) 235-4645  
FAX (308) 235-3561  
E-MAIL: sales@grisk.com

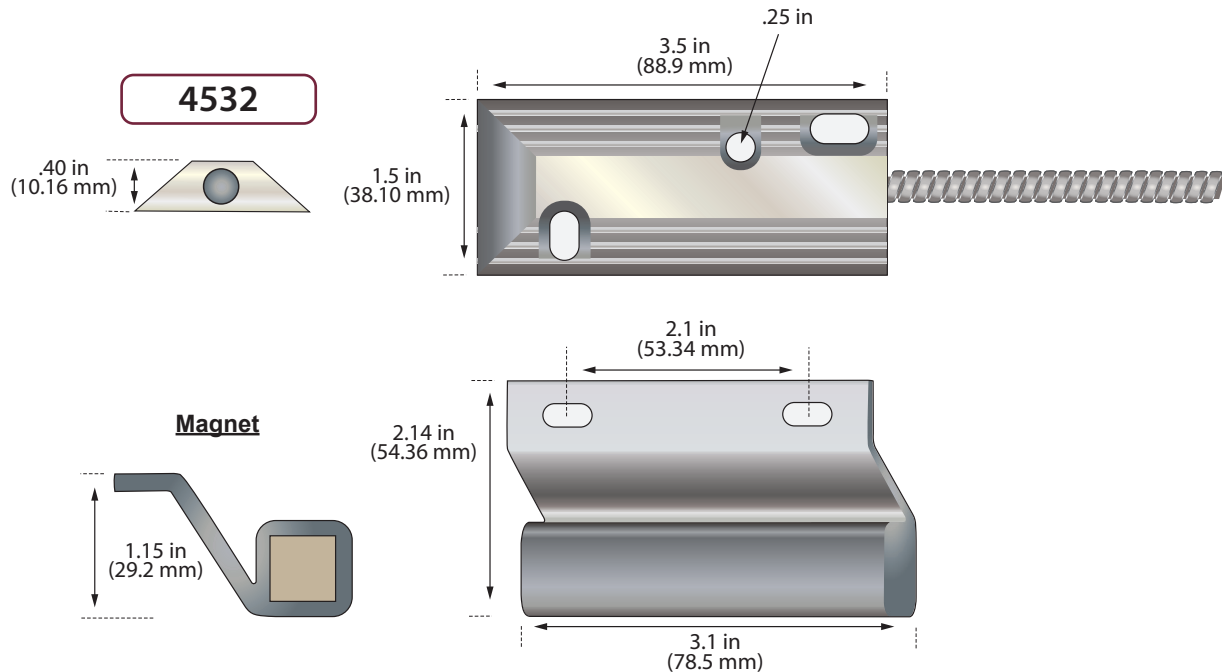
# Miniature Overhead Door Switch Set



WWW.GRISK.COM

## INSTALLATION APPLICATIONS

The 4532 is a miniature, low-profile reed switch in cast aluminum for durability in harsh environments. The 4532 features a wide working gap of up to 3" with two feet of heavy-duty armored cable for protection from the elements and a versatile universal magnet which can be mounted at various angles for those difficult installations. The 4532 is also available with an optional "L" bracket. Order part number 4532L for this option. The 4532 is shipped as a set but can be packaged separately. A 1/4" masonry bit is required for lead anchor installation.



### GRI PRODUCTS MEET OR EXCEED THESE MINIMUM GENERAL SPECIFICATIONS:

| Part Number | Loop Type   | Electrical Configuration | Reed Form | Max. Initial Contact Resistance ( $\Omega$ ) | Max. Contact Rating (W) | Max. Switching Voltage (VDC) | Max. Switching Current (A) |
|-------------|-------------|--------------------------|-----------|--|-------------------------|------------------------------|----------------------------|
| 4532        | Closed      | N/O                      | A         | .150   | 10                      | 200                          | .500                       |
| 4532L       | Closed      | N/O                      | A         | .150   | 10                      | 200                          | .500                       |
| 4532B       | Open        | N/C                      | B         | .140   | 5                       | 175                          | .250                       |
| 4532LB      | Open        | N/C                      | B         | .140   | 5                       | 175                          | .250                       |
| 4532C       | Open/Closed | SPDT                     | C         | .140   | 5                       | 175                          | .250                       |
| 4532CL      | Open/Closed | SPDT                     | C         | .140   | 5                       | 175                          | .250                       |
| 4532D       |             | DPDT                     | CX2       | .140   | 5                       | 175                          | .250                       |
| 4532DL-36   |             | DPDT                     | CX2       | .140   | 5                       | 175                          | .250                       |

**WARRANTY:** Lifetime warranty against workmanship, material and factory defects.

GEORGE RISK INDUSTRIES, INC.  
G.R.I. PLAZA  
KIMBALL, NE 69145

WWW.GRISK.COM



1-800-445-5218  
1-800-523-1227  
(308) 235-4645  
FAX (308) 235-3561  
E-MAIL: sales@grisk.com