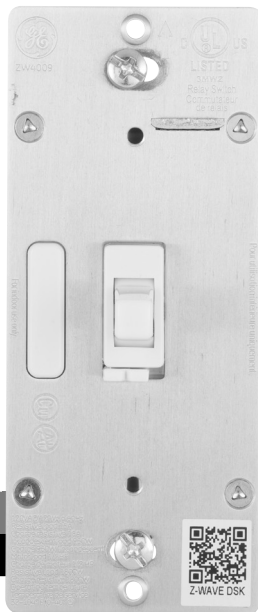


# GE Z-Wave In-wall Toggle Smart Dimmer



New blue LED backlit toggle



## Specifications

**Power:** 120VAC, 60Hz **Signal Frequency:** 908.4/916MHz  
**Maximum Load:** 600W Incandescent, 300 Dimmable CFL/LED  
**Range:** Up to 150 feet from controller or closest Z-Wave device  
**Operating Temperature:** 32-104° F (0-40° C)  
**Warranty:** 2-year limited product warranty  
**Requires neutral wire. Switch must be mounted indoors**

## Design Features

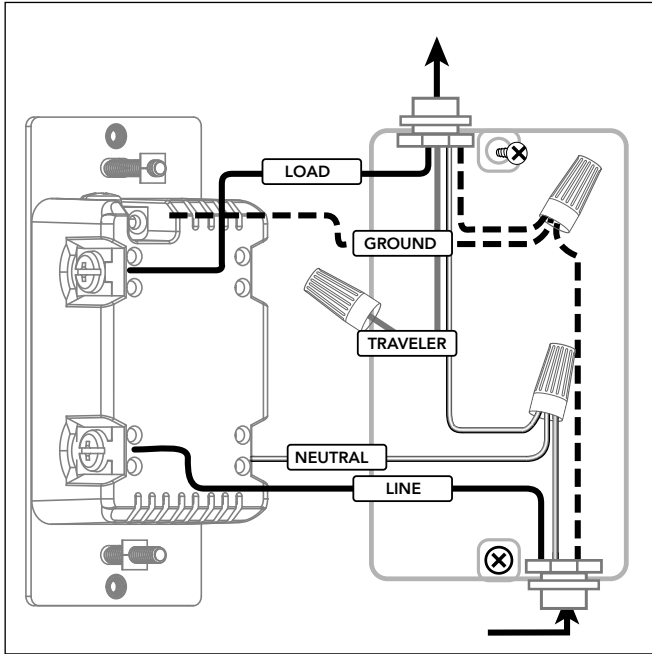
- QuickFit™ – Improved components reduce the housing depth by up to 20 percent compared to previous Z-Wave models and eliminated the need for heat tabs
- SimpleWire™ – Auto line-load sensing terminals support fast installation by detecting line and load wires and configuring the switch accordingly  
 Dual ground ports, which are offset to avoid switch box mounting screws, support daisy-chaining in multi-switch setups
- Remotely monitor with any mobile device\*
- Works with Google and Alexa (requires compatible hub\*)
- May be used in single pole installation or with up to four GE model 12728 or 46200 Add-on switches in 3, 4, 5 or 6-way wiring configurations
- Works with most dimmable LED, CFL, halogen and all incandescent bulbs
- Turn ON/OFF and control the brightness level of the connected lighting manually or via Z-Wave hub or controller
- New blue LED backlit toggle (with 4 adjustable settings)
- UL Listed to work with dimmable LED & CFLs
- Can be Included in multiple Groups and Scenes
- Utilizes the Z-Wave Firmware Update Meta Data command class for standardized firmware updates Over the Air
- Supports Advanced Configuration; Dim rates, Alternate exclusion and minimum and maximum dim levels
- Full Range Dimmability; adjust brightness level from 0-100% in 1% increments
- Screw Terminal installation; requires wiring connections for Line (Hot), Load, Neutral and Ground. Traveler wire required for multi pole installation
- Use a standard toggle wall plate (wall plate not included)
- LED status can be inverted manually changed to invert, always OFF and always ON
- Inline traveler circuit protection
- Z-Wave Plus Certified

## Z-Wave Plus with S2 Security and SmartStart Feature

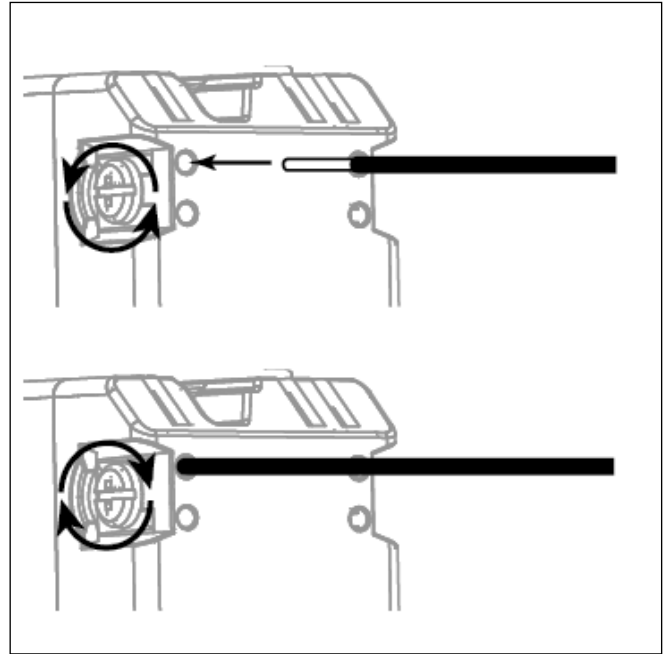
- Improved battery life and up to 50 percent greater wireless range
- QR codes with unique, industry-standard secure key exchange to add a layer of 128-bit encryption
- Effortless device pairing to Z-Wave S2 and SmartStart certified gateways
- Backward compatible with all generations of Z-Wave devices
- 250% faster processor
- 400% more memory
- 50% more energy efficient
- Supports wireless upgrades to future-proof your home

\* Requires Z-Wave hub or controller, functions may vary depending on brand.

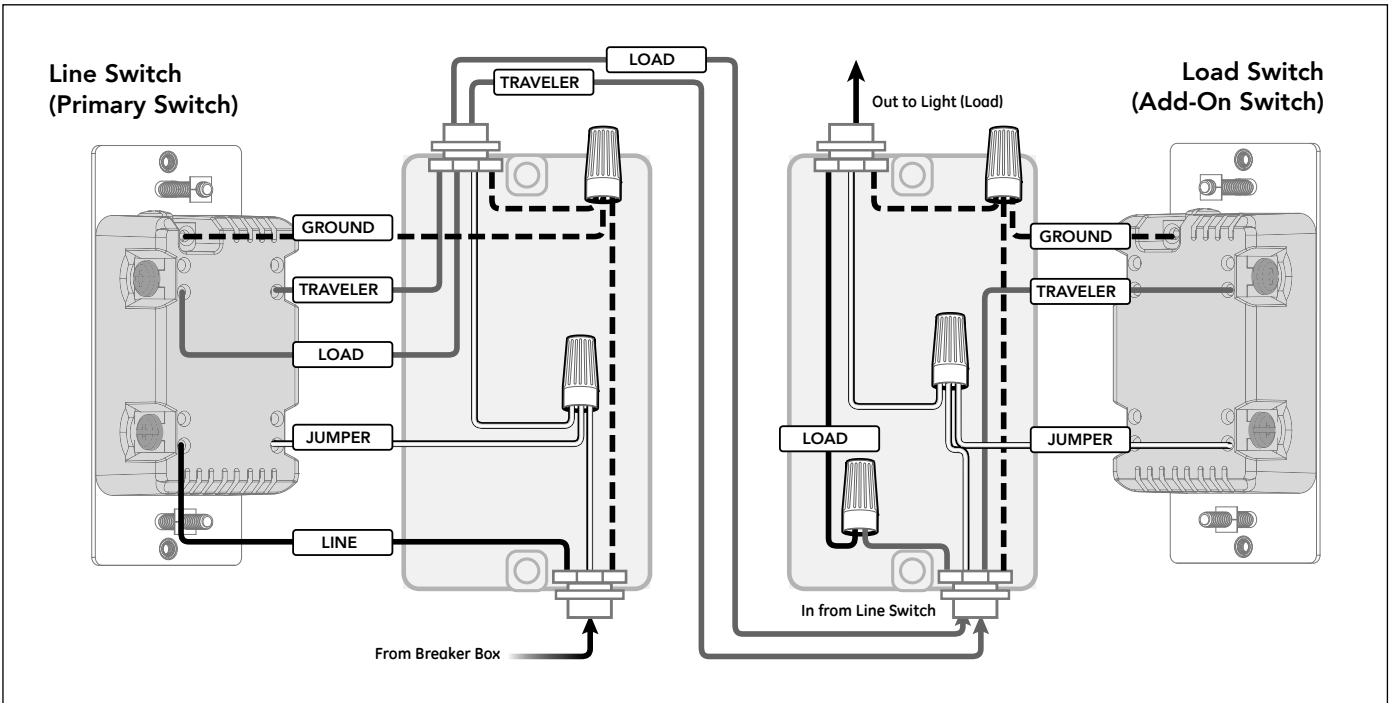
Single Location Wiring



Space-Saving Screw Terminals



Multi-Location Wiring



Installation Recommendations:

- Insert wire into port and tighten screw. Do not wrap wire around screw
- Indoor use only
- Visit <http://www.ezwave.com/hubs> for hub compatibility
- Wallplates sold separately
- Trilingual Instruction manual – (English, French, Spanish)

**Device Configuration**

**Adding your device to a Z-Wave network**

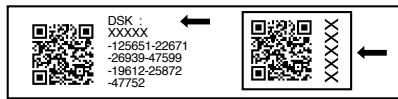
Once the hub is ready to add your smart switch, press up or down on the smart toggle switch to add it in the network.

**To remove and reset the device**

Once the controller is ready to remove your device, press up or down on the smart toggle switch to remove it from the network.

**S2 + SmartStart install**

The controller's app will indicate if it has discovered the sensor. If prompted by the controller to enter the S2 security code, refer to the QR code/security number on the back of the box, or the QR code label on the product. Enter the 5-digit code.



**To return to factory defaults**

Quickly press up on the toggle 3 times, then press the down on the toggle 3 times.

**Certifications & Compliances**



Compliances, specifications and availability are subject to change without notice

Distributed by Jasco Products Company LLC  
10 E. Memorial Rd., Oklahoma City, OK

©Jasco 2019

**Related Products - GE Z-Wave Smart Controls**

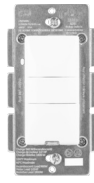
**Additional Toggle Color**



**46200**  
Add-On  
Switch



**46202**  
In-Wall  
Smart Switch



**26931**  
In-Wall Smart  
Motion Switch



**26933**  
In-Wall Smart  
Motion Dimmer



**14288**  
In-Wall  
Smart Outlet



**14296**  
Light Almond