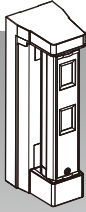


FTN-R-PT	Battery operated model with 2 PIRs
FTN-RAM-PT	FTN-R-PT with anti-masking



WIRELESS OUTDOOR  
DETECTOR  
**FTN-R-PT/  
FTN-RAM-PT**

**WIRELESS MODEL**

**Web instructions**

Visit to the Web site to find  
web version.

<https://navi.optex.net/manual/50051/>



---

## FEATURES

---

- Narrow Angle Detection
- Detection Range Adjustability (2m / 5m)
- Intelligent AND logic
- Digital Anti-Masking (RAM model)
- Horizontal Adjustability
- Tamper Output
- Wall Tamper (option)

---

## CONTENTS

---

<b>1</b>	INTRODUCTION	
	1-1 BEFORE INSTALLATION .....	2
	1-2 PARTS IDENTIFICATION .....	3
	1-3 DETECTION AREA .....	3
<b>2</b>	INSTALLATION	
	2-1 WIRING DIAGRAM .....	4
	2-2 TRANSMITTER PREPARATION .....	4
	2-3 MOUNTING .....	5
<b>3</b>	WALK TEST	
	3-1 WALK TEST .....	8
<b>4</b>	DIP SWITCH SETTING	
	4-1 WALK TEST MODE .....	8
	4-2 BATTERY SAVING TIMER .....	9
	4-3 ALARM & TROUBLE OUTPUT .....	9
	4-4 LED .....	9
	4-5 PIR SENSITIVITY .....	9
	4-6 ANTI-MASKING .....	10
<b>5</b>	OTHERS	
	5-1 LED LIGHT PATTERN .....	10
<b>6</b>	BATTERY	
	6-1 HOW TO REPLACE BATTERY .....	11
	6-2 BATTERY LIFE .....	11
<b>7</b>	SPECIFICATIONS	
	7-1 SPECIFICATIONS .....	12
	7-2 DIMENSIONS .....	12

# 1

## INTRODUCTION

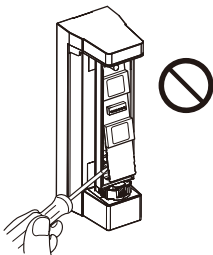
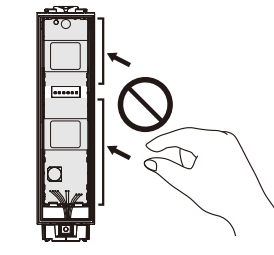
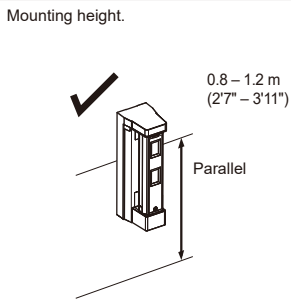
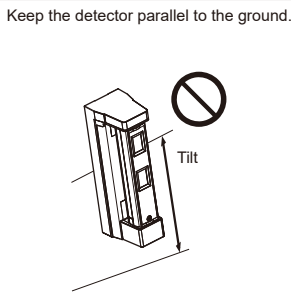
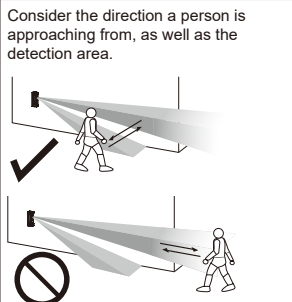
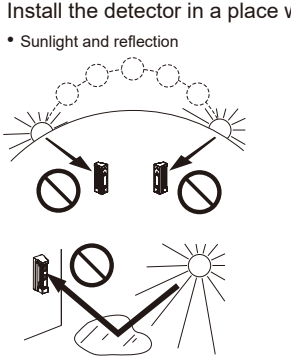
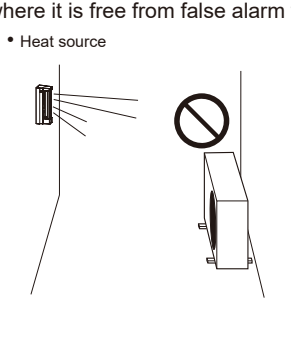
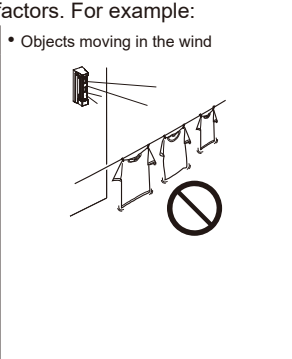
### 1-1 BEFORE INSTALLATION

**Warning** Failure to follow the instructions provided with this indication and improper handling may cause death or serious injury.

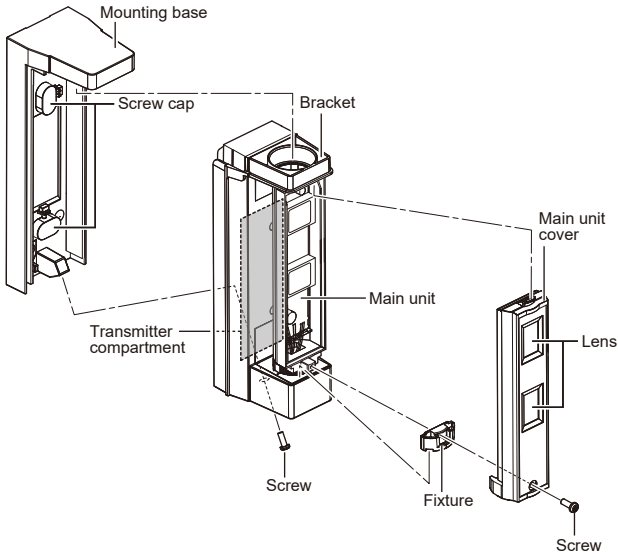
**Caution** Failure to follow the instructions provided with this indication and improper handling may cause injury and/or property damage.

The check ✓ mark indicates recommendation.

The nix ⓧ sign indicates prohibition.

<b>Warning</b>		<b>Caution</b>			
Do not remove the PCB. 		Do not touch the PCB except for the DIP switch. 			
Mounting height. 	Keep the detector parallel to the ground. 	Consider the direction a person is approaching from, as well as the detection area. 			
Install the detector in a place where it is free from false alarm factors. For example:					
<ul style="list-style-type: none"> <li>• Sunlight and reflection</li> </ul> 		<ul style="list-style-type: none"> <li>• Heat source</li> </ul> 		<ul style="list-style-type: none"> <li>• Objects moving in the wind</li> </ul> 	

## 1-2 PARTS IDENTIFICATION



### Accessories>>

Connector for POWER and ALARM



Connector for TROUBLE



Screw kit

For wall mounting  
Screw (3 × 20 mm)

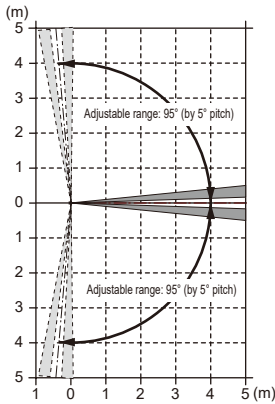


### Note>>

Transmitter and battery are not included.

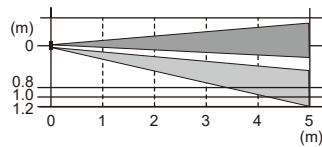
## 1-3 DETECTION AREA

### Top view

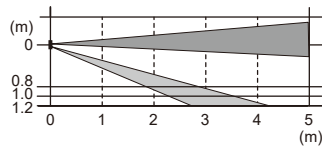


### Side view

5 m detection length



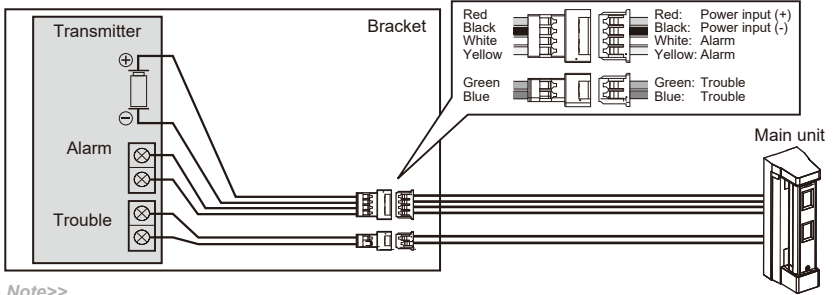
2 m detection length



# 2 INSTALLATION

## 2-1 WIRING DIAGRAM

### - Overall wiring diagram

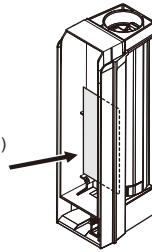
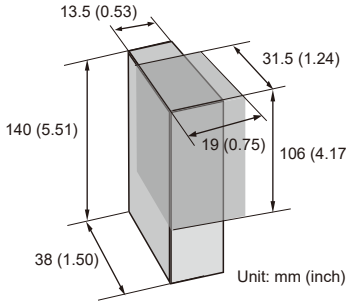


#### Note>>

- The battery in the transmitter is shared with the detector.
- Connection for TROUBLE is used when monitoring for Tamper and Anti Mask.

## 2-2 TRANSMITTER PREPARATION

The transmitter used should have the internal dimensions of H 140 x W 38 x D 13.5 mm (H 5.51 x W 1.50 x D 0.53 inches) or H 106 x W 31.5 x D 19 mm (H 4.17 x W 1.24 x D 0.75 inches)



#### Connectors to be used

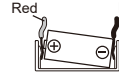
Connector for POWER and ALARM



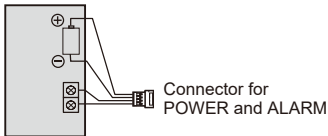
Connector for TROUBLE



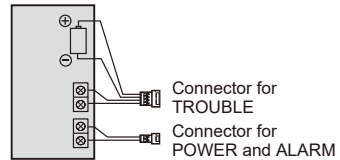
How to position a battery



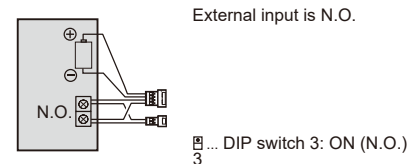
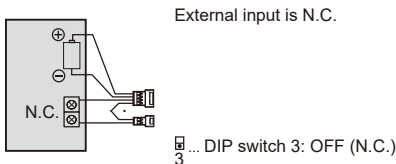
### - To monitor only the ALARM using a transmitter with 1 external input



### - To monitor the ALARM and TROUBLE using a transmitter with 2 external inputs

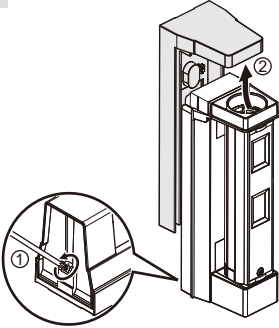


### - When monitoring ALARM and TROUBLE using the transmitter with 1 external input

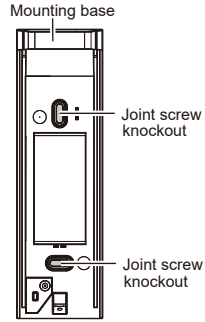


## 2-3 MOUNTING

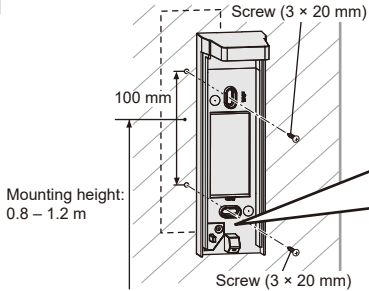
### 1 Remove the mounting base.



### 2 Open the knockout.



### 3 Mount the mounting base on the wall.

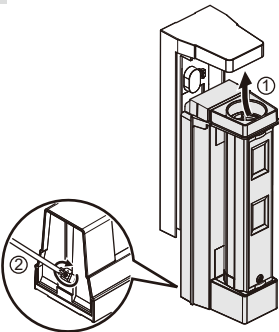


Use this knockout screw hole to mount the base, when making the wall tamper switch effective. If the main unit is peeled off from a wall, this plastic part will be cracked and remain on a wall, activating the tamper switch.

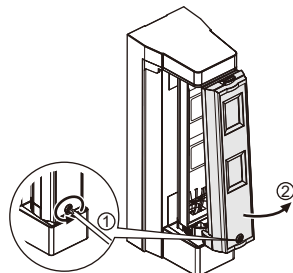
#### Note>>

- Transmitter needs to be enrolled to receiver before installing the detector.

### 4 Attach the bracket and main section.



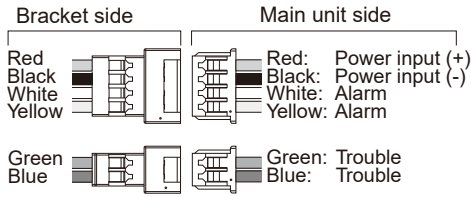
### 5 Open the main unit cover



#### Note>>

- Be sure to set the screw cap after installing the mounting base.

## 6 Plug the connectors.



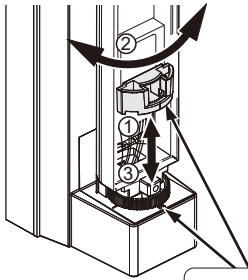
### Note>>

- The tamper output is not exclusive. The anti-masking and tamper circuits share the trouble output.

## 7 Determine the horizontal detection angle and attach the fixture.

### Note>>

- To make adjustments, remove the fixture.



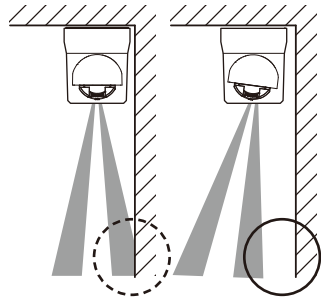
### Note>>

- Check that the fixture and bracket engage correctly.

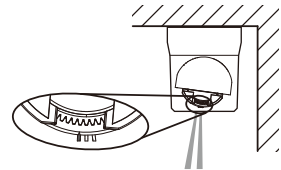


### Notes>>

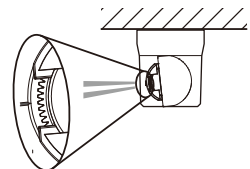
- Align the detection area parallel to the wall to reduce interference with the wall.



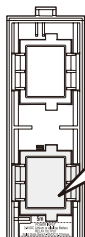
- When the unit is mounted on the corner to look ahead along the wall, choose the guide-mark located on the opposite side of the wall.



- When the unit is mounted on the wall to look transversely, choose the guide-mark engraved.



## 8 Determine the detection length. (2 m or 5 m)



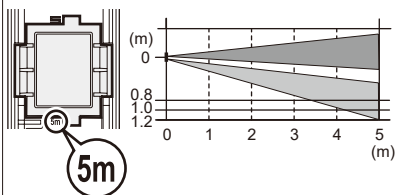
If 2 m is required, rotate the lower lens 180 degrees.

**Note>>**

- Do not remove the upper lens.

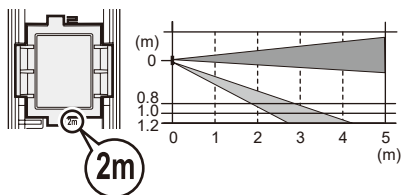
### 5 m detection length (Factory default)

Side view

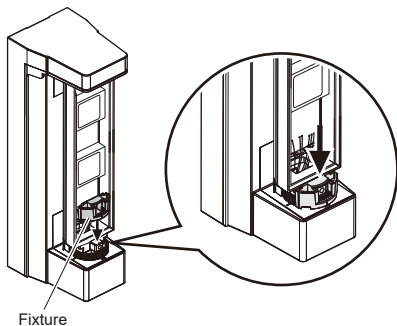


### 2 m detection length

Side view

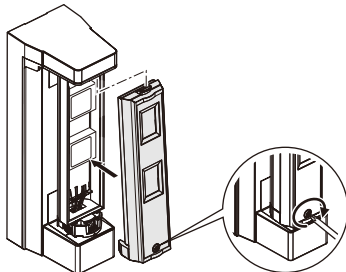


## 9 Attach the fixture.



Fixture

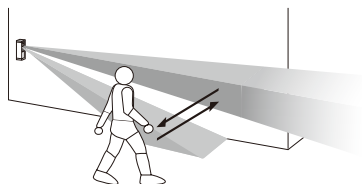
## 10 Attach the main unit cover.



**Note>>**

- To prepare for walk test, check that DIPswitch 1 (WALKTEST MODE) is set to "ON (TEST)" before attaching main unit cover.

## 11 Perform walk test. For details, refer to 3-1.



## 12 After walk test is complete, set DIP switch 1 (WALK TEST MODE) from "ON" to "OFF".

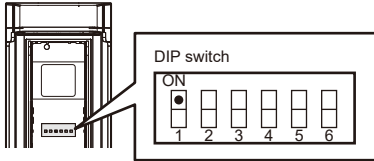
**Note>>**

- The battery life will be shortened unless the DIP switch 1 is set to "OFF".

# 3 WALK TEST

## 3-1 WALK TEST

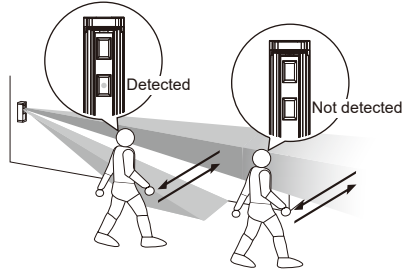
1 Set the DIP switch 1 (WALK TEST MODE) to "ON (TEST)".



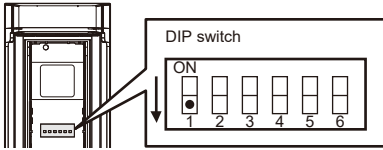
**Note>>**

- The switch is set to "ON (TEST)" by factory default.

2 Check that LED lights for 2 seconds when the intended object is detected.



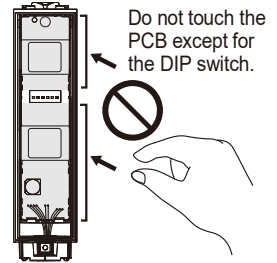
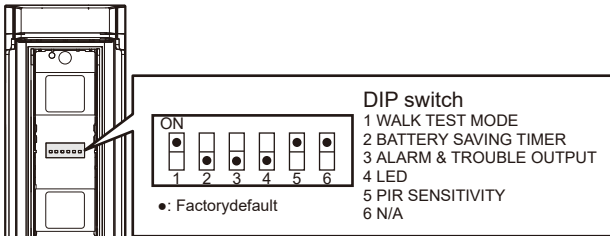
3 Set the DIP switch 1 (WALK TEST MODE) to "OFF (NORM)".



**Notes>>**

- The battery life will be shortened unless the DIP switch 1 is set to "OFF".
- To use the LED in normal operating condition, set the DIP switch 4 to "ON".

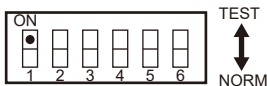
# 4 DIP SWITCH SETTING



## 4-1 WALK TEST MODE

DIP switch 1

FTN-R-PT  
FTN-RAM-PT



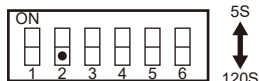
Position	Function
TEST (Factory default)	<ul style="list-style-type: none"> <li>• The LED lights irrespective of the DIP switch 4 (LED) setting.</li> <li>• The DIP switch 2 (BATTERY SAVING TIMER) setting is inactive.</li> </ul>
NORM	<ul style="list-style-type: none"> <li>• The LED lights depending on the DIP switch 4 (LED) setting.</li> <li>• The DIP switch 2 (BATTERY SAVING TIMER) setting is active.</li> </ul>



## 4-2 BATTERY SAVING TIMER

DIP switch 2

FTN-R-PT  
FTN-RAM-PT



### Note>>

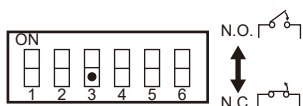
- The detector will not generate alarms at intervals shorter than the specified time.

Position	Function
5S	5 sec.
120S (Factory default)	120 sec.

## 4-3 ALARM & TROUBLE OUTPUT

DIP switch 3

FTN-R-PT  
FTN-RAM-PT

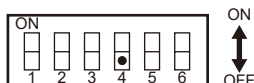


Position	Function
N.O.	N.O. output
N.C. (Factory default)	N.C. output

## 4-4 LED

DIP switch 4

FTN-R-PT  
FTN-RAM-PT

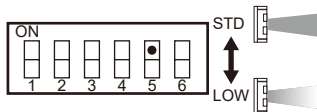


Position	Function
ON	LED ON
OFF (Factory default)	LED OFF <b>Note&gt;&gt;</b> • If the LED lights, check the DIP switch 1 (WALKTEST MODE) setting.

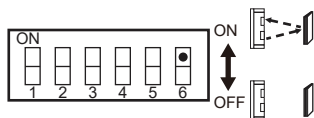
## 4-5 PIR SENSITIVITY

DIP switch 5

FTN-R-PT  
FTN-RAM-PT



Position	Function
STD (Factory default)	Normal sensitivity
LOW	Low sensitivity

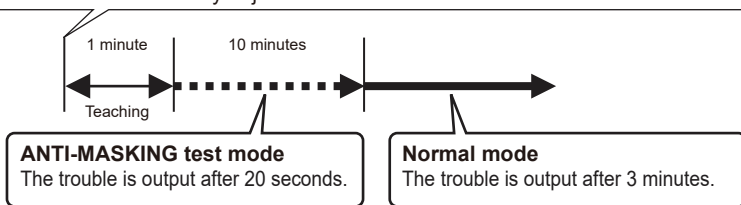


Position	Function
ON (Factory default)	ANTI-MASKING ON
OFF	ANTI-MASKING OFF

**-ANTI-MASKING function**

When masking condition continues more than 3 minutes, TROUBLE will be generated. TROUBLE is generated after 20 seconds under the anti-masking test mode.

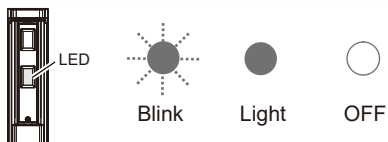
Teaching mode starts when both the separate box cover and the main unit cover are attached. Please be careful not to leave any object within 1 m from the unit.



**5 OTHERS**

**5-1 LED LIGHT PATTERN**

The following explains the LED light pattern.



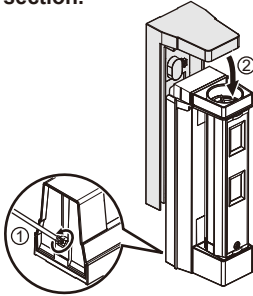
Detector condition	LED indicator
Warm-up <i>Note&gt;&gt;</i> • The LED blinks even if the DIP switch 4 (LED) is set to "OFF".	<p>Blinks for approx. 120 seconds.</p>
Alarm	<p>Lights for 2 seconds.</p>
Masking detection (FTN-RAM-PT only)	<p>Blinks 3 times and then repeats.</p>

## 6 BATTERY

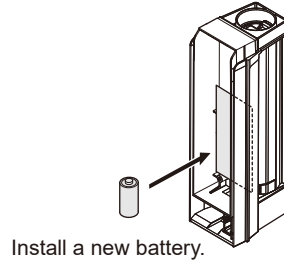
The detector shares the battery with the transmitter. Check that the 2.5 to 10.0 V power battery is used for the transmitter.

### 6-1 HOW TO REPLACE BATTERY

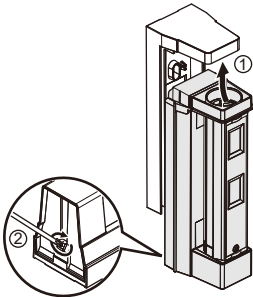
- 1 Remove the bracket and main section.



- 2 Replace the battery.



- 3 Attach the bracket and main section.



### 6-2 BATTERY LIFE

The values indicated are only for reference on condition that the detector is exceptionally operated by the sole battery. It is impossible to indicate the battery life under the normal operation as the battery in the transmitter is shared with the detector.

	Interval 120 sec	Interval 5 sec
CR123A (3 V, 1300 mAh)	Approx. 6 years	Approx. 5 years
CR2 (3 V, 750 mAh)	Approx. 4 years	Approx. 3 years
1/2AA (3.6 V, 1000 mAh)	Approx. 5 years	Approx. 4 years

#### Notes>>

- Data shown here is when the LED is off, AM is on. Battery life becomes shorter when the LED is on.

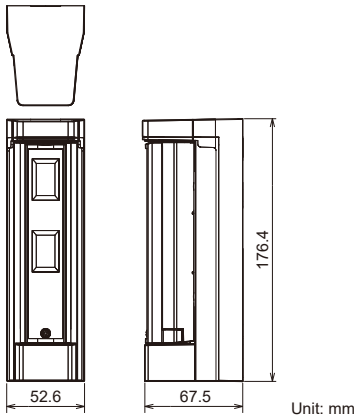
# 7 SPECIFICATIONS

## 7-1 SPECIFICATIONS

Model	FTN-R-PT	FTN-RAM-PT
Detection method	Passive infrared	
PIR coverage	5 × 1 m (16'5" × 3'3")	
Detection length limit	2 m, 5 m (6'7", 16'5")	
Detectable speed	0.3 – 1.5 m/s (1' – 4'11"/s)	
Sensitivity	2.0°C (at 0.6 m/s) (3.6°F (at 2'/s))	
Operation voltage	2.5 – 10 V DC	
Power input	3 – 9 V DC (Lithium or Alkaline Battery)	
Current draw	9 µA standby / 3 mA max. at 3 V DC	10 µA standby / 3 mA max. at 3 V DC
Alarm period	2.0 ± 1.0 sec.	
Warm-up period	Approx. 120 sec. (LED blinks)	
Alarm output	N.C./N.O. Selectable-Solid State Switch 10 V DC 0.01 A (max.)	
Trouble output	N.C./N.O. Selectable-Solid State Switch 10 V DC 0.01 A (max.)	
LED indicator	Enable: During DIP switch 1 (WALK TEST MODE) or DIP switch 4 (LED) ON Disable: During normal operation Light/Blink: Warm-up, alarm, masking detection (FTN-RAM-PT only)	
RF Interference	No alarm 10 V/m	
Operation temperature	-20 – +60°C (-4 – +140°F)	
Environment humidity	95% max.	
Weatherproof	IP55	
Mounting	Wall (Outdoor, Indoor)	
Mounting height	0.8 – 1.2 m (2'7" – 3'11")	
Weight	180 g (6.4 oz.) without wireless transmitter and battery	
Accessories	① Connector for POWER and ALARM ② Connector for TROUBLE ③ screw (3 × 20 mm) × 2	

\*Specifications and design are subject to change without prior notice.

## 7-2 DEMENSIONS



### < NOTE >

These units are designed to detect an intruder and activate an alarm control panel. Being only a part of a complete system, we cannot accept responsibility for any damages or other consequences resulting from an intrusion.

### ■ EU & UK contact information



<https://navi.optex.net/cert/contact/>



**OPTEX CO., LTD. (JAPAN)**  
www.optex.net

**OPTEX INC./AMERICAS HQ (U.S.)**  
www.optexamerica.com

**OPTEX SECURITY SAS (France)**  
www.optex-europe.com/fr

**OPTEX KOREA CO.,LTD. (Korea)**  
www.optexkorea.com

**OPTEX (EUROPE) LTD./EMEA HQ (U.K.)**  
www.optex-europe.com

**OPTEX SECURITY Sp.z o.o. (Poland)**  
www.optex-europe.com/pl

**OPTEX (DONGGUAN) CO.,LTD. SHANGHAI OFFICE (China)**  
www.optexchina.com

**OPTEX SECURITY B.V. (The Netherlands)**  
www.optex-europe.com/nl

**OPTEX PINNACLE INDIA, PVT., LTD. (India)**  
www.optexpinnacle.com

**OPTEX (Thailand) CO., LTD. (Thailand)**  
www.optex.co.th