



iVision+ Connect



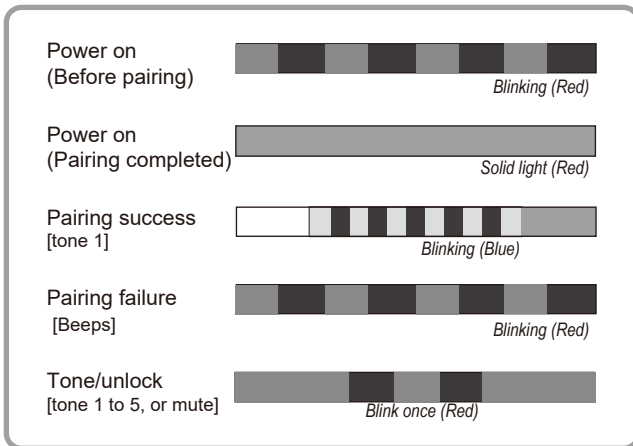
Door interface **IVPC-DI**

Introduction

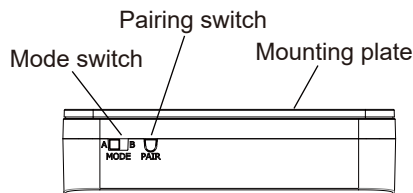
This guide covers the installation and setup for the door interface unit of the IVPC system. The IVPC-DI can be used as a chime, dry relay output, or both. Common applications are for switching power to a maglock or a door strike. Please see the example circuits below for ideas.

General Information

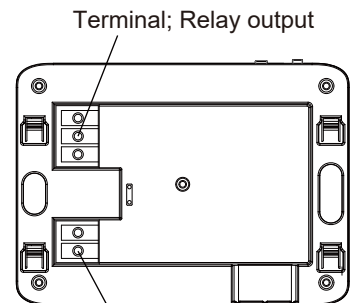
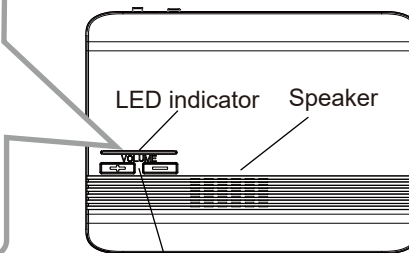
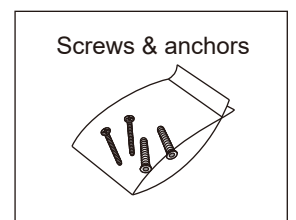
<< LED indications >>



<< Parts indications >>



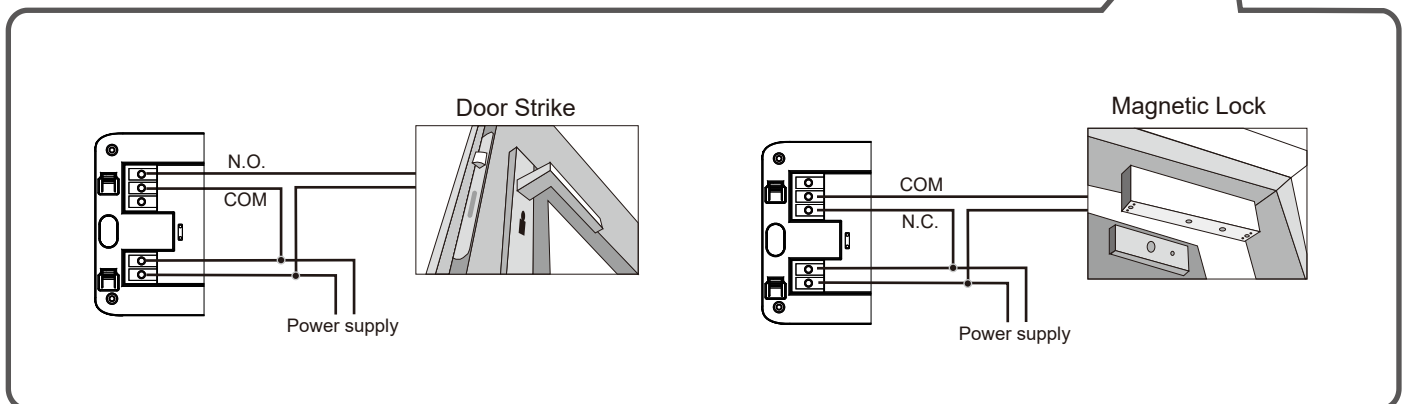
< Accessories >



Volume +/- button
(mute and 3 steps)

- During volume adjustment, the default type of tone sounds regardless the selected type of tone.
- A confirmation beep sounds when the unit is muted.

<< Relay output wiring examples >>



What to expect

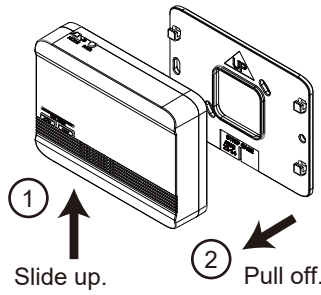
- 1 Mounting and wiring;** mount the IVPC-DI, connect power wires and signal wires to external devices.
- 2 Pairing;** pair the IVPC-DI to the IVPC-DS, using the IVPC-MS or using the OPTEx Vision App.
- 3 Operation check;** test the performance of the IVPC-DI and external devices of the system.

1 Mounting and wiring

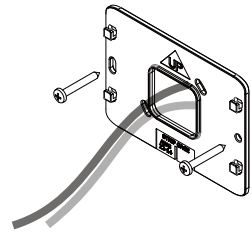
1 Turn off all equipment including the external devices of the system.



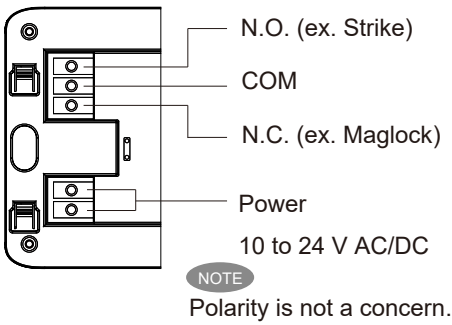
2 Remove the main unit from the mounting plate.



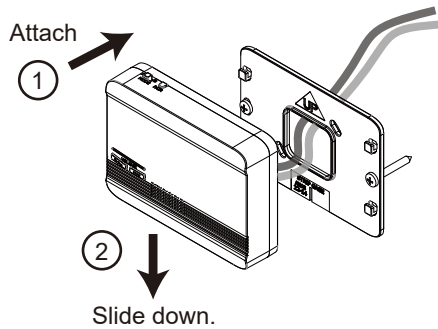
3 Pass the wires through and fix the mounting plate to the wall.



4 Wire to the terminals.



5 Mount the main unit on the mounting plate.



6 Turn on all equipment.



2 Pairing

1 Press the doorbell on IVPC-DS to be paired with the IVPC-DI.



2 After accepting the call, press the icon shown below to start the wizard for the IVPC-DI.



3 Confirm the correct number of paired chimes is shown at the completion of the wizard.



3 Unlock setting

1 Press the "Unlock Setting" button.



2 Select which chime will also function as a door release.



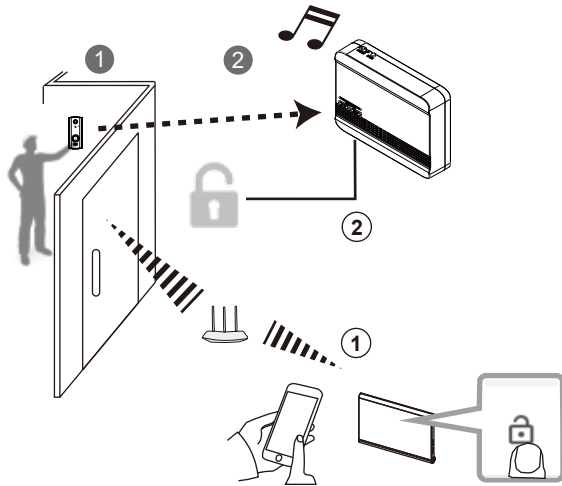
"Unlock" marking is indicated on the assigned IVPC-DI.



NOTE

- One IVPC-DS can pair up to four IVPC-DI. However, only one IVPC-DI can be assigned to operate its relay. The other three are limited to sounding their chimes.
- For example, one IVPC-DI operates the door-lock at the front while a second IVPC-DI serves as a chime in a back room.
- The chimes sound simultaneously with the same type of tone.

4 Operation check



---➔ 916 MHz signal between IVPC-DS and IVPC-DI

·····| Wi-Fi signal between IVPC-DS/MS/OPTEx Vision App

1 Chime sound

- 1 Push the doorbell button on the IVPC-DS.
- 2 Confirm the chime tone on the IVPC-DI.

2 Door strike

- 1 Push the door release button on the screen of the IVPC-MS or the OPTEx Vision app.
- 2 Confirm the door has been released.

FCC Statement

This device complies with Part 15 of the FCC Rules. Operation is subject to the following two conditions: (1) This device may not cause harmful interference, and (2) this device must accept any interference received, including interference that may cause undesired operation. Any Changes or modifications not expressly approved by party responsible for compliance could void the user's authority to operate the equipment.

Note: This equipment has been tested and found to comply with the limits for a Class B digital device, pursuant to part 15 of the FCC Rules. These limits are designed to provide reasonable protection against harmful interference in a residential installation. This equipment generates, uses and can radiate radio frequency energy and, if not installed and used in accordance with the instructions, may cause harmful interference to radio communications. However, there is no guarantee that interference will not occur in a particular installation. If this equipment does cause harmful interference to radio or television reception, which can be determined by turning the equipment off and on, the user is encouraged to try to correct the interference by one or more of the following measures:

- Reorient or relocate the receiving antenna.
- Increase the separation between the equipment and receiver.
- Connect the equipment into an outlet on a circuit different from that to which the receiver is connected.
- Consult the dealer or an experienced radio/TV technician for help.

Radiation Exposure Statement

This equipment complies with FCC radiation exposure limits set forth for an uncontrolled environment. This transmitter must not be co-located or operating in conjunction with any other antenna or transmitter (see **).

IC RSS warning

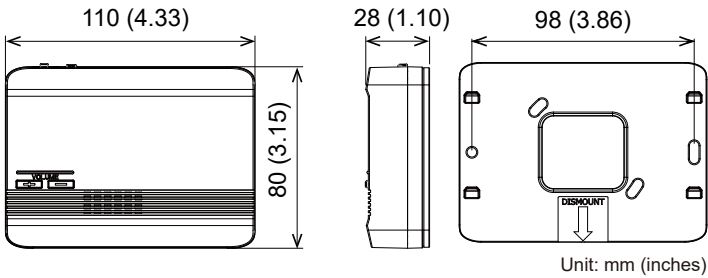
This device complies with Industry Canada license-exempt RSS standard(s). Operation is subject to the following two conditions: (1) this device may not cause interference, and (2) this device must accept any interference, including interference that may cause undesired operation of the device. Under Industry Canada regulations, this radio transmitter may only operate using an antenna of a type and maximum (or lesser) gain approved for the transmitter by Industry Canada. To reduce potential radio interference to other users, the antenna type and its gain should be so chosen that, the equivalent isotropically radiated power (e.i.r.p.) is not more than that necessary for successful communication. (1/2) This radio transmitter (identify the device by certification number, or model number if Category II) has been approved by Industry Canada to operate with the antenna types listed below with the maximum permissible gain and required antenna impedance for each antenna type indicated. Antenna types not included in this list, having a gain greater than the maximum gain indicated for that type, are strictly prohibited for use with this device.

IC Radiation Exposure Statement:

This equipment complies with IC RF radiation exposure limits set forth for an uncontrolled environment. This transmitter must not be co-located or operating in conjunction with any other antenna or transmitter (see **).

** For the IVPC-DS, the equipment should be installed and operated with minimum distance 20 cm between the radiator & your body.

<< Specifications >>



Model	IVPC-DI
Frequency	916 MHz
Power	10 to 24 V AC/DC, 500 mA max.
Chime tone	* 5 types selectable
Chime volume	Approx. 80 dB max. 3 levels and mute
Relay output duration	* 1/ 5/ 10/ 30/ 60 s selectable
Relay output rating	1C relay, 1 A max. 50 V AC/24 V DC
Operating temperature	0°C to 40°C (-32°F to 104°F)
Operating humidity	< 90% (no condensation)

* set by the IVPC-MS or a device running the OPTEX Vision App.
 - Specifications and design are subject to change without prior notice.

<< Troubleshooting >> Additional troubleshooting available online at URL; optexamerica.com/faq

Status	Check point	Solution
The IVPC-DI sounds too loud/low.	Confirm that the sound of the IPVC-DI is not muted.	Adjust the sound by the Volume +/- button on the IVPC-DI.
The IVPC-DI does not respond.	Check if supplied power is within spec.	If the indicators are working, then check if the pairing was to the correct IVPC-DS Device ID
Door will not unlock.	Confirm the wiring of the IVPC-DI relay output.	Correct the wiring. Pay attention to the N.O. and N.C. type of relay output.
	Make sure that the IVPC-DI is set to release a door lock through the IVPC-MS or OPTEX Vision App.	Set to open by the IVPC-MS or by a device running the OPTEX Vision App.
	Check that the duration time of the IVPC-DI relay output matches the specifications of the lock system.	Select from 1, 5, 10, 30 or 60 seconds according to specifications of the door lock system. It can be selected by the IVPC-MS or by a device running the OPTEX Vision App.

NOTE

- Test the total operation after the installation is complete.
- Dispose of used products and batteries should be in accordance with local government regulations/laws.

Warranty

1. This product is under warranty for normal usage for 18 months from the week of the year manufactured which can be identified from the serial number indicated on the label placed in the unit of the IVPC series.

Serial number: YYWWAAAAZZZZ (e.g. 1850502590001)

YY indicates last two digits of the year manufactured (e.g. "18" = Year 2018)

WW indicates the week number of the year manufactured (e.g. "50" = 50th week)

AAAAA indicates the model in 5-digit code (e.g. "50259" = IVPC-DS)

ZZZZ indicates a serial number of the week manufactured

(e.g. "0001" = the first product in the week)

2. The warranty may not be applicable when any of following circumstances is found.
 - Physical or electrical modification is made to the product.
 - Product malfunction is resulting from an improper usage, an accident, natural disaster or any environmental event.
 - Please call our technical support before arranging a return.

 **OPTEX CO., LTD. (JAPAN)**
 URL: www.optex.net

OPTEX INC. (U.S.)
 URL: www.optexamerica.com

p. 800-966-7839
warranty-returns@optexamerica.com
tech@optexamerica.com



Video and FAQ available:
optexamerica.com/resource/ivision-connect

Copyright (C) 2019-2020 OPTEX CO.,LTD.