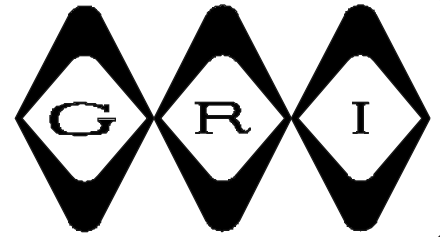
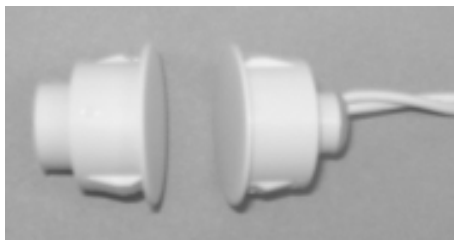


# RECESSED 3/4" & 1" STUBBY STEEL DOOR SWITCH SET



## 180RS & 8080RS-T SERIES

- ◆ Recessed Magnetic Contact
- ◆ 12" #22AWG Leads or Screw Terminals
- ◆ Longer Leads, Zip Cord or Jacketed Cable Upon Request
  - ◆ Built-in E.O.L. Resistors and Diodes Upon Request
    - ◆ Supervisory Loops Upon Request
    - ◆ Colors: White, Brown, Gray, Black
    - ◆ Available Closed Loop Only



180RS-12



8484RS-T

### PART NUMBERS:

		<b>Closed Loop</b>
Up To 5/8" Gap	3/4" Dia.	180RS-12
On Steel*	1" Dia.	184RS-12
	3/4" Dia.	8080RS-T
	1" Dia.	8484RS-T

\*Gaps will increase substantially for installations other than steel

### WARRANTY:

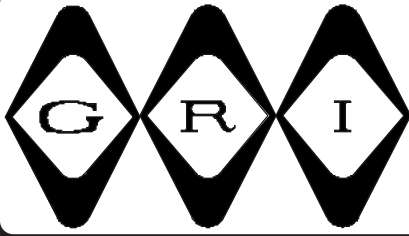
Lifetime warranty against workmanship, material and factory defects.

GEORGE RISK INDUSTRIES, INC.  
G.R.I. PLAZA  
KIMBALL, NE 69145

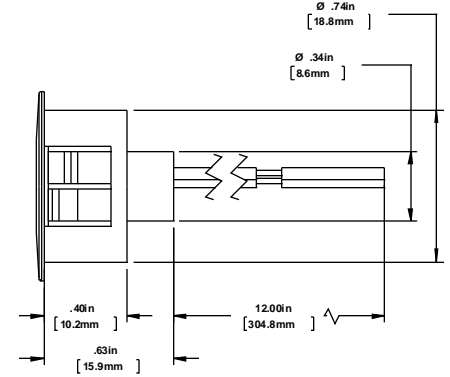
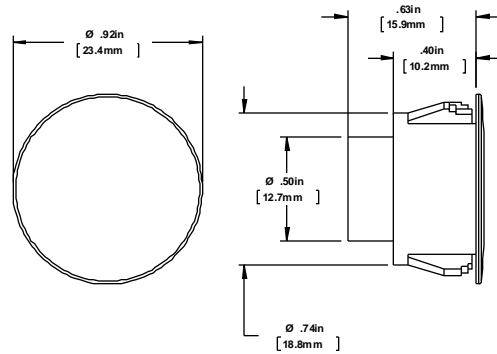


MADE IN U.S.A.

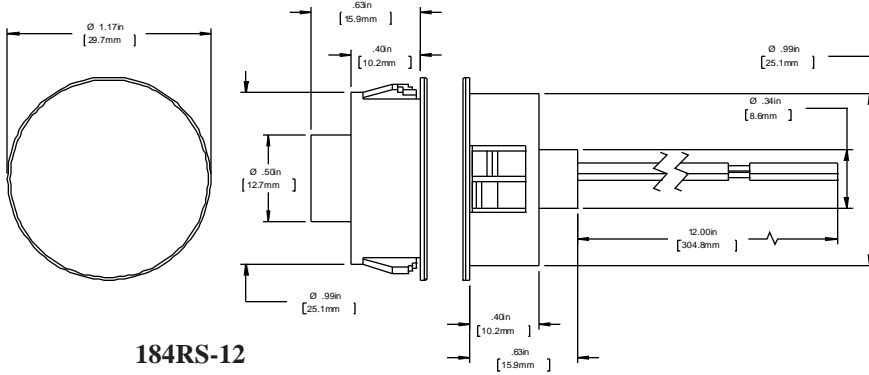
TOLL-FREE 1-800-445-5218  
TOLL-FREE 1-800-523-1227  
(308) 235-4645  
FAX (308) 235-3561  
E-MAIL: [grisales@megavision.com](mailto:grisales@megavision.com)  
WEB SITE: [www.grisk.com](http://www.grisk.com)



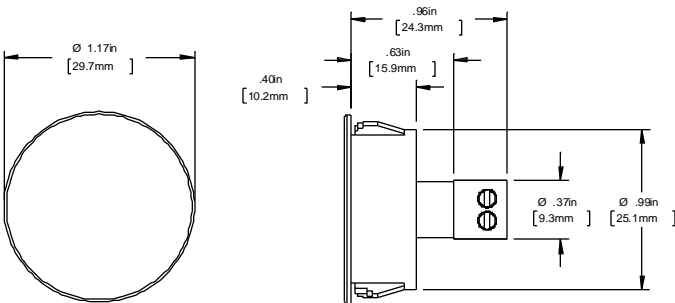
# RECESSED 3/4" & 1" STUBBY STEEL DOOR SWITCH SET



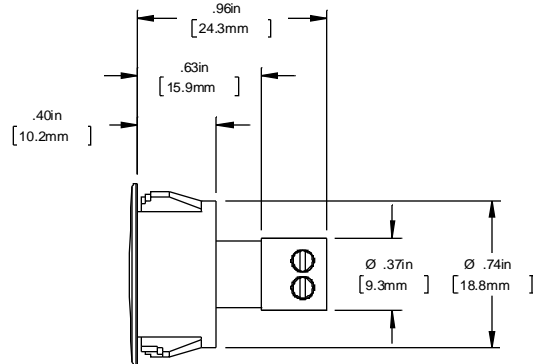
**180RS-12**



**184RS-12**



**8484RS-T**



**8080RS-T**

**GRI products meet or exceed these minimum general specifications:**

PART NUMBER	LOOP TYPE	ELECTRICAL CONFIG.	REED FORM	MAXIMUM INITIAL CONTACT RESISTANCE (Ω)	MAXIMUM CONTACT RATING (W)	MAXIMUM SWITCHING VOLTAGE (VDC)	MAXIMUM SWITCHING CURRENT (A)
180RS-12	Closed	N/O	A	.150	10	200	.500
184RS-12	Closed	N/O	A	.150	10	200	.500
8080RS-T	Closed	N/O	A	.150	10	200	.500
8484RS-T	Closed	N/O	A	.150	10	200	.500

**CONTACT YOUR G.R.I. DISTRIBUTOR OR CALL:**

GEORGE RISK INDUSTRIES, INC.  
G.R.I. PLAZA  
KIMBALL, NE 69145



MADE IN U.S.A.

TOLL-FREE 1-800-445-52 • 1-800-523-1227  
(308) 235-4645 • FAX (308) 235-3561  
E-MAIL: [grisales@megavision.com](mailto:grisales@megavision.com)  
WEB SITE: [www.grisk.com](http://www.grisk.com)