



Hard drive installation instructions for the ADC-CSVR2000P/2008P/2016P

Install or replace a failed drive in the ADC-CSVR2000P/2008P/2016P

Important: Install the serial advanced technology attachment (SATA) hard drives before enrolling the device. The CSVR supports most standard SATA hard drives. SATA hard drives are user-supplied.

To install new hard drives

1. Verify that the device has no power and is unplugged.
2. Using a screwdriver, remove the screws on the sides and back of the chassis.



3. Remove the top cover of the chassis.



4. Connect the SATA power cable and SATA data cables to the main board.



5. Connect the SATA power cable and SATA data cables to the new hard drives. When installing hard drives, the label sides should be facing up.



6. Align the bottom of the hard drives along the bottom of the enclosure. The connector sides should be facing towards the center of the chassis.



7. Using a screwdriver, install screws from the bottom of the chassis to secure the hard drives in place.



- Below is an example image of the inside of the enclosure after installation of the hard drives. The label side of the hard drives should be facing up.



- Slide the top cover back onto the chassis. Using a screwdriver, re-install screws onto the sides and back of the chassis.



- Enroll the device. For more information about how to enroll the device, see [Commercial Stream Video Recorder \(ADC-CSVR2000P/2008P/2016P\) - Installation Guide](#).

To replace failed hard drives

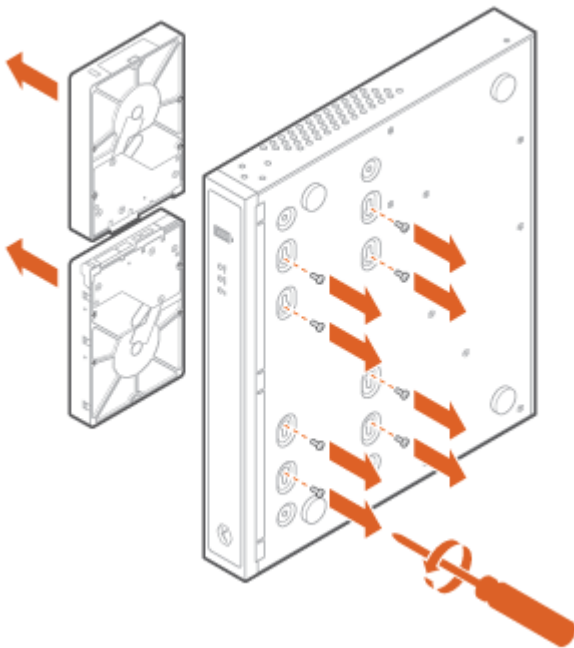
- Verify that the device has no power and is unplugged.
- Using a screwdriver, remove the screws on the sides and back of the chassis.



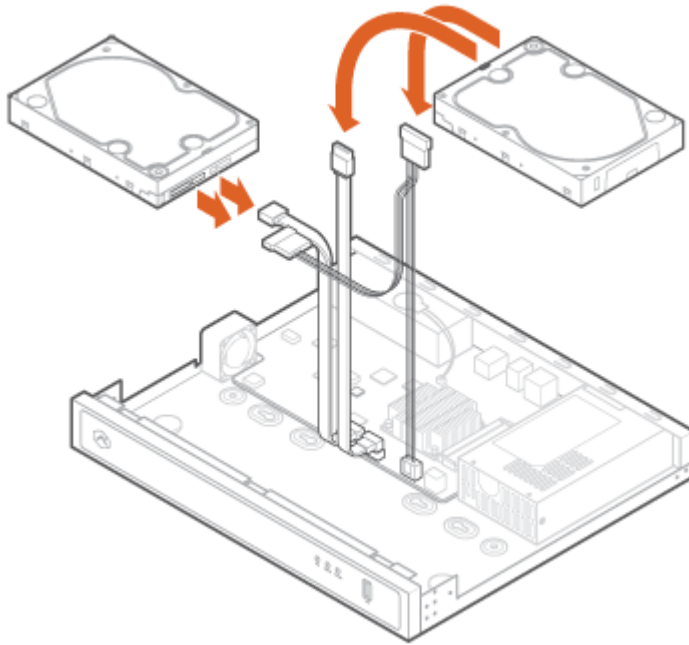
- Remove the top cover of the chassis.



- Using a screwdriver, remove the screws from the bottom of the chassis to loosen the hard drives.



5. Disconnect the SATA power cables and SATA data cables from the failed hard drives. Then, remove the failed hard drives.



6. Connect SATA power cable and SATA data cables to the new hard drives. When installing hard drives, the label sides should be facing up.



7. Align the bottom of the hard drives along the bottom of the enclosure. The connector sides should be facing towards the center of the chassis.



8. Using a screwdriver, install screws from the bottom of the chassis to secure the hard drives in place.



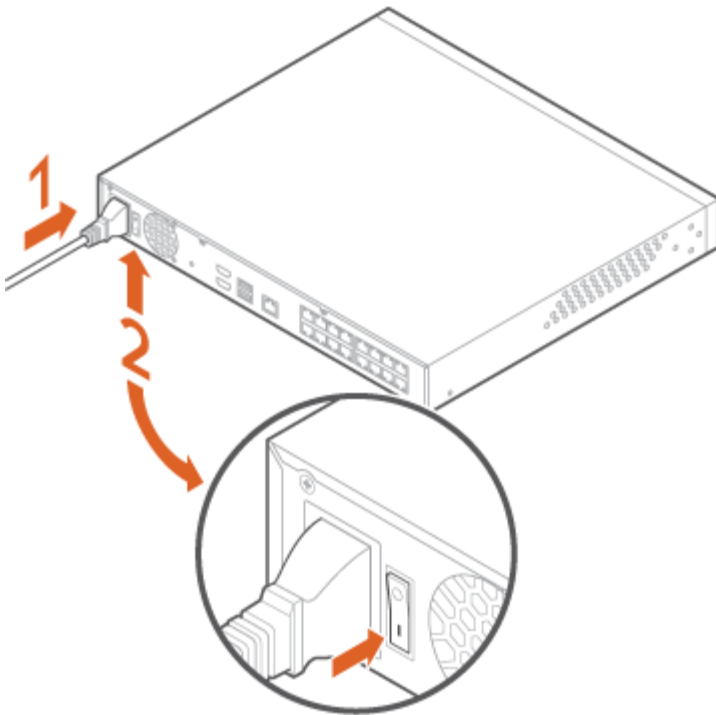
9. Below is an example image of the inside of the enclosure after installation of the hard drives. The label side of the hard drives should be facing up.



10. Slide the top cover back onto the chassis. Using a screwdriver, re-install screws onto the sides and back of the chassis.



11. Plug in and power on the the CSVR.



12. Once the CSVR device is back online. The drives must be discovered using the Partner Portal or MobileTech app.

Discover drives after replacing them

Using the MobileTech app: ^

1. Log into the MobileTech app.
2. Find the customer account.
3. Tap **Equipment**.
4. Tap the name of the desired video device.
5. Tap **Configure Video Device**.
6. Tap **Discover Drives**.

Using the Partner Portal: ^

1. Log into the Partner Portal.
2. Find the customer account.
3. Click **Equipment**.



[https://answers.alarm.com/Partner/Installation_and_Troubleshooting/Video_Devices/Commercial_Stream_Video_Recorder_\(...](https://answers.alarm.com/Partner/Installation_and_Troubleshooting/Video_Devices/Commercial_Stream_Video_Recorder_(...)

Updated: Wed, 13 Apr 2022 14:51:30 GMT

4. Click **Video Devices**.
5. Using the *Video Device* dropdown menu, select the desired device.
6. In the *Number of Drives Installed* field, click **Discover Drives**.

