
Alarm.com PoE Video Door Station (ADC-VDB755P) - Installation Guide

Pre-installation checklist

- ADC-VDB755P video doorbell
- Ethernet connection to PoE (802.3af) power supply and internet access
- (Optional) Wired compatible mechanical or digital chime and wired doorbell transformer

In the box

- ADC-VDB755P video doorbell
- Wall anchors (x2) & screws (x2)
- Installation card with scannable QR code



Install the ADC-VDB755P

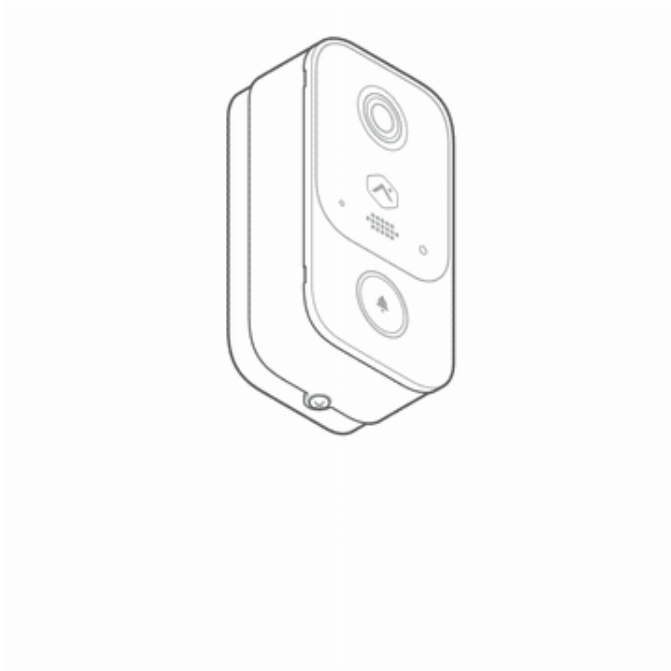
Expand all

To install the ADC-VDB755P ^

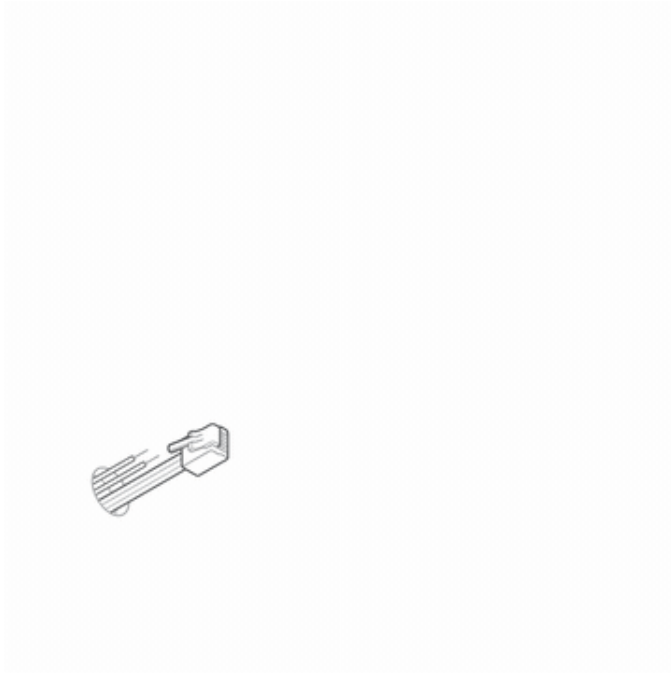
1. If replacing existing doorbell hardware, turn off power to the doorbell circuit (transformer).
2. If installing with an existing chime, remove any existing power modules from the chime. Verify that the chime wire terminals are connected to one wire run from the transformer and one wire run from the doorbell.
3. If replacing an existing doorbell, remove the doorbell from the wall and disconnect the wires.

Note: If you are using the chime, secure the wires so they can be connected in a later step. If you are not using the chime, cap the wires to safely seal and tuck away.

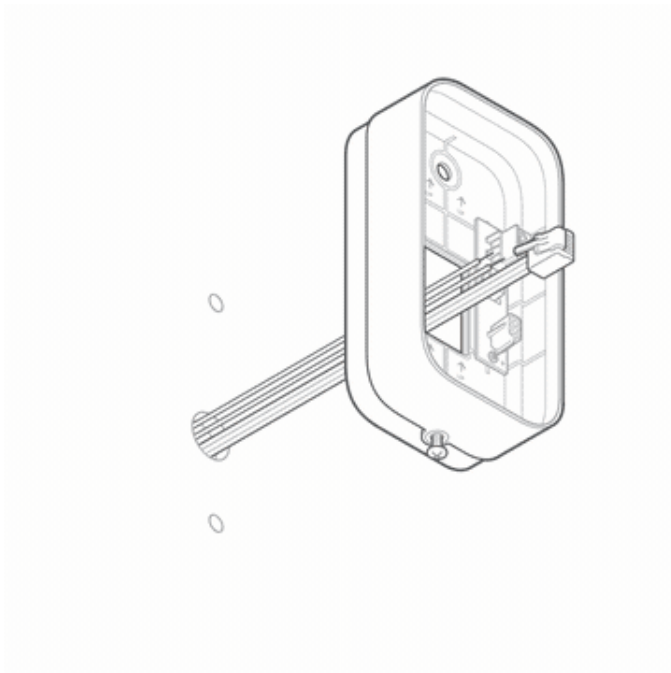
4. Separate the main assembly from the wall mount assembly.



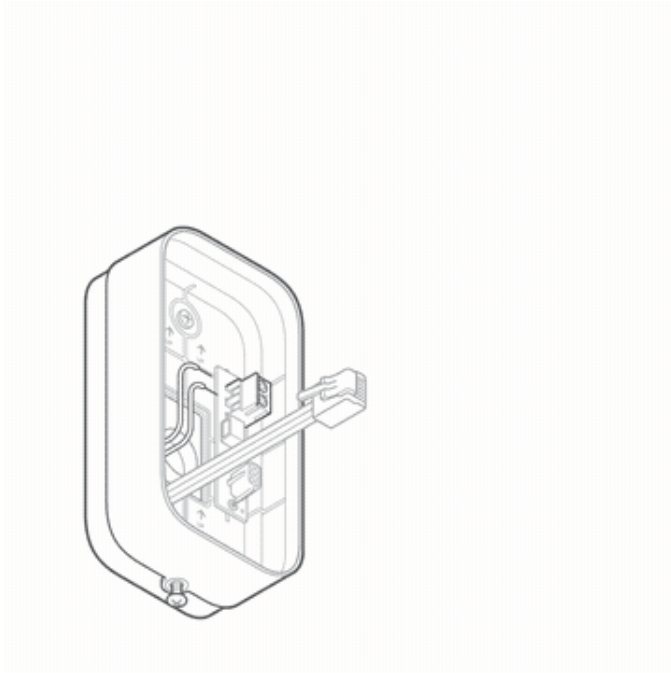
5. Insert the chime wires (if using) and Ethernet cable through the wall mount assembly wiring cutout.



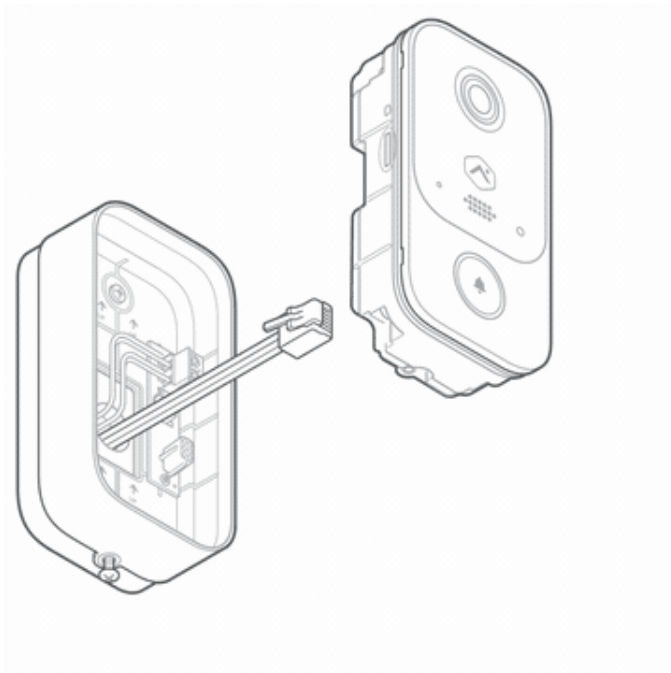
6. Mount the main assembly to the surface with the provided screws/anchors.



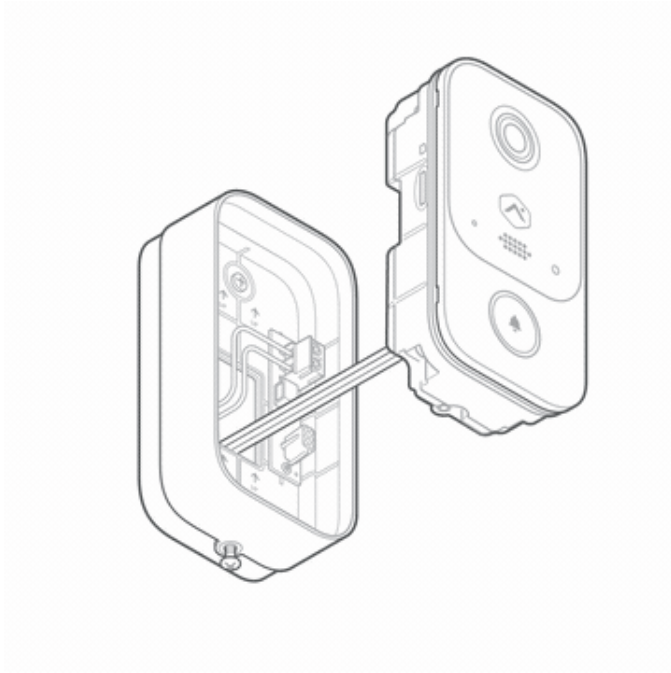
7. If installing chime wires, insert the chime wires into terminals and use a screwdriver to secure them.



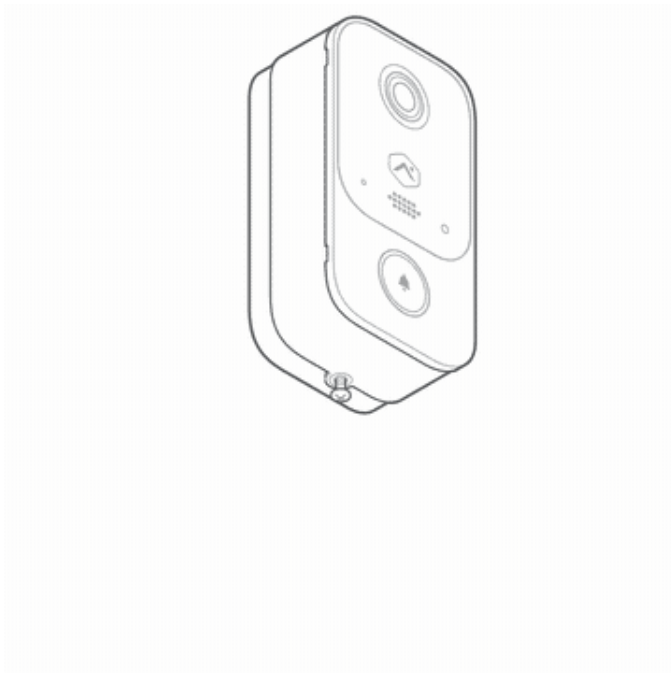
8. Connect the Ethernet cable to the Ethernet port on the back of the main assembly.



9. Gently insert the main assembly into the wall mount assembly, ensuring that wires are not pinched and there is no excess cable in the doorbell. Firmly press the main assembly until it is completely seated.



10. Fasten the security screw at the bottom of the wall mount assembly.



11. If not already completed, connect the Ethernet cable to its source of power.

12. Restore power to the PoE source and chime circuit (if applicable).

Enroll the video doorbell to the account

The ADC-VDB755P can be enrolled to a customer account using the MobileTech app and customer app.

To enroll the video doorbell using the MobileTech app: ^

1. Log into the MobileTech app.
2. Find the customer account.
3. Tap **Quick Access**.
4. Tap **Add Device**.
5. Tap **Video**.
6. Follow the on-screen instructions.

To enroll the video doorbell using the customer app: ^

1. Log into the customer app. You will need the username and password of the account to log in.
2. Tap **More** on the bottom navigation tab.
3. Tap **Add Device**.
4. Tap **Doorbell Camera**.
5. Tap **ADC-VDB755P**.
6. Follow the on-screen instructions.

LED status guide

LED pattern

Description

Off

Power off



Blinking yellow

Camera power cycling



LED pattern

Description

Solid red



No local or internet connection

Blinking red



Power on, camera booting

Blinking green



Local network connection

Solid green



Connected to Alarm.com

Alternating red and green



Camera resetting to factory default (press and hold button for 45-50s)

Alternating yellow and white



Change the chime type to mechanical (press and hold button for 60-65s)

- If the chime type is set to digital or none

Alternating blue and white



Change the chime type to digital (press and hold button for 60-65s)

- If the chime type is set to mechanical

Notices

- Product installation height should be less than 2 m (6' 7") from floor level and in a vertical orientation.
- Operating Temperature: -58°F - 122°F (-50°C - 50°C)

ISED non-interference disclaimer

This device contains licence-exempt transmitter(s)/receiver(s) that comply with Innovation, Science and Economic Development Canada's licence-exempt RSS(s). Operation is subject to the following two conditions:

1. This device may not cause interference.
2. This device must accept any interference, including interference that may cause undesired operation of the device.

This device complies with the Canadian ICES-003 Class B specifications. CAN ICES-003(B) / NMB-003 (B).

L'émetteur/récepteur exempt de licence contenu dans le présent appareil est conforme aux CNR d'Innovation, Sciences et Développement économique Canada applicables aux appareils radio exempt de licence. L'exploitation est autorisée aux deux conditions suivantes :

1. L'appareil ne doit pas produire de brouillage;
2. L'appareil doit accepter tout brouillage radioélectrique subi, même si le brouillage est susceptible d'en compromettre le fonctionnement.

Cet appareil numérique de la Canadian ICES-003. Cet appareil numérique de la classe B est conforme à la norme NMB-003 du Canada.

FCC Compliance Statement

This equipment has been tested and found to comply with the limits for a Class B digital device, pursuant to part 15 of the FCC Rules. These limits are designed to provide reasonable protection against harmful interference in a residential installation. This equipment generates, uses and can radiate radio frequency energy and, if not installed and used in accordance with the instructions, may cause harmful interference to radio communications. However, there is no guarantee that interference will not occur in a particular installation. If this equipment does cause harmful interference to radio or television reception, which can be determined by turning the equipment off and on, the user is encouraged to try to correct the interference by one or more of the following measures:

- Reorient or relocate the receiving antenna.
- Increase the separation between the equipment and receiver.
- Connect the equipment into an outlet on a circuit different from that to which the receiver is connected.
- Consult the dealer or an experienced radio/TV technician for help.

This device complies with Part 15 of the FCC Rules. Operation is subject to the following two conditions:

1. this device may not cause harmful interference, and

2. this device must accept any interference received, including interference that may cause undesired operation. Please note that changes or modifications not expressly approved by the party responsible for compliance could void the user's authority to operate the equipment.

Changes or modifications not expressly approved by the party responsible for compliance could void the user's authority to operate the equipment.

ISED/FCC RF Exposure statement

This equipment complies with FCC and ISED RSS-102 radiation exposure limits set forth for an uncontrolled environment. This transmitter must not be co-located or operating in conjunction with any other antenna or transmitter. In order to avoid the possibility of exceeding the FCC and ISED RSS-10 radio frequency exposure limits, this equipment should be installed and operated with minimum distance 20 cm (7.9 inches) between the antenna and your body during normal operation. Users must follow the specific operating instructions for satisfying RF exposure compliance.

Cet équipement est conforme aux limites d'exposition aux rayonnements FCC et ISED CNR-102 établies pour un environnement non contrôlé. Cet émetteur ne doit pas être installé ou utilisé en conjonction avec une autre antenne ou un autre émetteur. Afin d'éviter la possibilité de dépasser les limites d'exposition aux radiofréquences FCC et ISED, cet équipement doit être installé et utilisé avec une distance minimale de 20 cm (7.9 pouces) entre l'antenne et votre corps pendant le fonctionnement normal. Les utilisateurs doivent suivre les instructions spécifiques d'utilisation pour respecter la conformité à l'exposition aux RF.