

# ALTV244 Series

## 4-Output CCTV Power Supplies

### Models Include:

#### ALTV244

- 24VAC @ 4A (100VA) or  
28VAC @ 3.5A (100VA).
- Four (4) Fuse Protected Outputs.

#### ALTV244175

- 24VAC @ 7.25A (175VA) or  
28VAC @ 6.25A (175VA).
- Four (4) Fuse Protected Outputs.

#### ALTV244300

- 24VAC @ 12.5A (300VA) or  
28VAC @ 10A (300VA).
- Four (4) Fuse Protected Outputs.

#### ALTV244CB

- 24VAC @ 4A (100VA) or  
28VAC @ 3.5A (100VA).
- Four (4) PTC Protected Outputs.

#### ALTV244175CB

- 24VAC @ 7.25A (175VA) or  
28VAC @ 6.25A (175VA).
- Four (4) PTC Protected Outputs.

#### ALTV244300CB

- 24VAC @ 12.5A (300VA) or  
28VAC @ 10A (300VA).
- Four (4) PTC Protected Outputs.

## Installation Guide



Rev. 020705



More than just power.™

Installing Company: \_\_\_\_\_ Service Rep. Name: \_\_\_\_\_

Address: \_\_\_\_\_ Phone #: \_\_\_\_\_

## Overview:

Altronix ALTV244 Series CCTV Power Supplies provide 24VAC or 28VAC distributed via four (4) fuse or PTC protected outputs for powering CCTV cameras, heaters and other video accessories.

### Four (4) Output ALTV244 Reference Chart:

Altronix Model Number	Total Output Current	Output Voltage	Number of Outputs	PTC Protected Outputs (auto-resettable)	Fuse Protected Outputs	Output Current (max per output)	Main Fuse Ratings	115VAC 50/60Hz Input Current
ALTV244	4A	24VAC	4	-	✓	3.5A	5A/250V	0.9A
	3.5A	28VAC						
ALTV244CB	4A	24VAC		✓	-	2.5A		
	3.5A	28VAC						
ALTV244175	7.25A	24VAC		-	✓	3.5A	10A/250V	1.5A
	6.25A	28VAC						
ALTV244175CB	7.25A	24VAC		✓	-	2.5A		
	6.25A	28VAC						
ALTV244300	12.5A	24VAC		-	✓	3.5A	15A/32V	2.7A
	10A	28VAC						
ALTV244300CB	10A	24VAC		✓	-	2.5A		
	10A	28VAC						

## Specifications:

### Input:

- 115VAC, 50/60Hz.

### Output:

- Four (4) fuse or PTC protected outputs.
- 24VAC or 28VAC supply current.
- Outputs are rated @ 3.5A (fused) or 2.5A (PTC).
- Surge suppression.

### Features:

- Secondary fuse rated @ 5A/250V.
- AC power LED.

### Features (cont'd):

- Power ON/OFF switch.
- Spare fuses provided.  
(all models w/primary and/or secondary fuses).

### Enclosure Dimensions:

- **ALTV244 and ALTV244CB:**  
8.5" x 7.5" x 3.5" (215.9mm x 190.5mm x 88.9mm).
- **ALTV244175, ALTV244175CB, ALTV244300, and ALTV244300CB:**  
8.5" x 7.5" x 3.875" (215.9mm x 191mm x 98.4mm).

## Installation Instructions:

1. Mount unit in the desired location. Mark and predrill holes in the wall to line up with the top two keyholes in the enclosure. Install two upper fasteners and screws in the wall with the screw heads protruding. Place the enclosure's upper keyholes over the two upper screws; level and secure. Mark the position of the lower two holes. Remove the enclosure. Drill the lower holes and install the fasteners. Place the enclosure's upper keyholes over the two upper screws. Install the two lower screws and make sure to tighten all screws (*Enclosure Dimensions, pg. 7, 8*). Secure enclosure to earth ground.
2. Slide switch SW1 to the OFF position on models ALTV244 and ALTV244CB (*Fig. 1, pg. 4*). Turn main switch on all other models to the OFF position (*Figs. 2, 3, pgs. 5, 6*).
3. All units are factory set for 24VAC operation.  
For 28VAC operation adjust unit prior to mounting and applying power as follows: Change the wire position so that the black wire [28V] is connected to the terminal marked [P] and the yellow wire [24V] is connected to the terminal marked [S].
4. Connect AC power to the black and white flying lead of the transformer (*Figs. 1 - 3, pgs. 4 - 6*).

### Units with line cord installed skip Step #4.

Use 18 AWG or larger for all power connections (Battery, AC output).

5. Measure output voltage before connecting devices. This helps avoiding potential damage.

**CAUTION:** Determine the maximum operating voltage of the equipment being powered before adjusting the output voltage.

6. Connect devices to the terminals marked [1P - 1N] through [4P - 4N] on PD4/PD4CB board, carefully observing correct polarity (*Figs. 1 - 3, pgs. 4 - 6*).
7. Slide switch SW1 to ON position on models ALTV244 and ALTV244CB (*Fig. 1, pg. 4*).  
Turn main switch on all other models to the "RESET" (ON) position (*Figs. 2, 3, pgs. 5, 6*).
8. Green LED will illuminate when unit is powered.
9. Upon completion of the wiring, secure enclosure door with screws (supplied).

**Caution:** Equipment to be installed / serviced by authorized / trained personnel only.  
Shut branch circuit power before installing / servicing equipment.

**WARNING:** To reduce the risk of fire or electric shock, do not expose the unit to rain or moisture.  
This installation should be made by qualified service personnel and should conform to the National Electrical Code and all local codes.

## Terminal Identification:

### PD4/PD4CB - Distribution Module

1P - 4P	AC output.
1N - 4N	AC output.



The lightning flash with arrowhead symbol within an equilateral triangle is intended to alert the user to the presence of an insulated DANGEROUS VOLTAGE within the product's enclosure that may be of sufficient magnitude to constitute an electric shock.



The exclamation point within an equilateral triangle is intended to alert the user to the presence of important operating and maintenance (servicing) instructions in the literature accompanying the appliance.

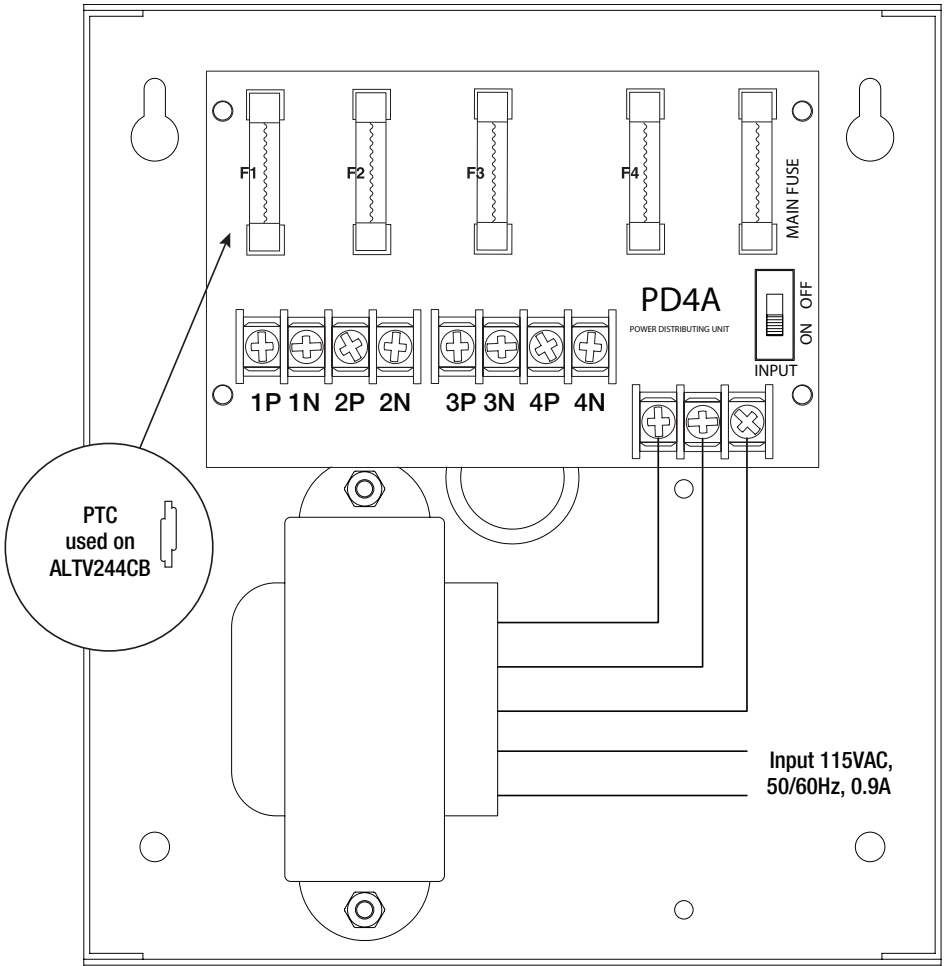


**CAUTION**  
RISK OF ELECTRIC SHOCK  
DO NOT OPEN



**CAUTION:** To reduce the risk of electric shock do not open enclosure.  
There are no user serviceable parts inside.  
Refer servicing to qualified service personnel.

Fig. 1 - ALTV244 and ALTV244CB



**Voltage Selection Configuration**

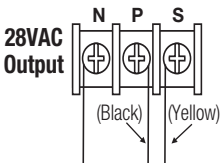
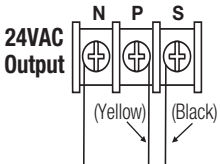
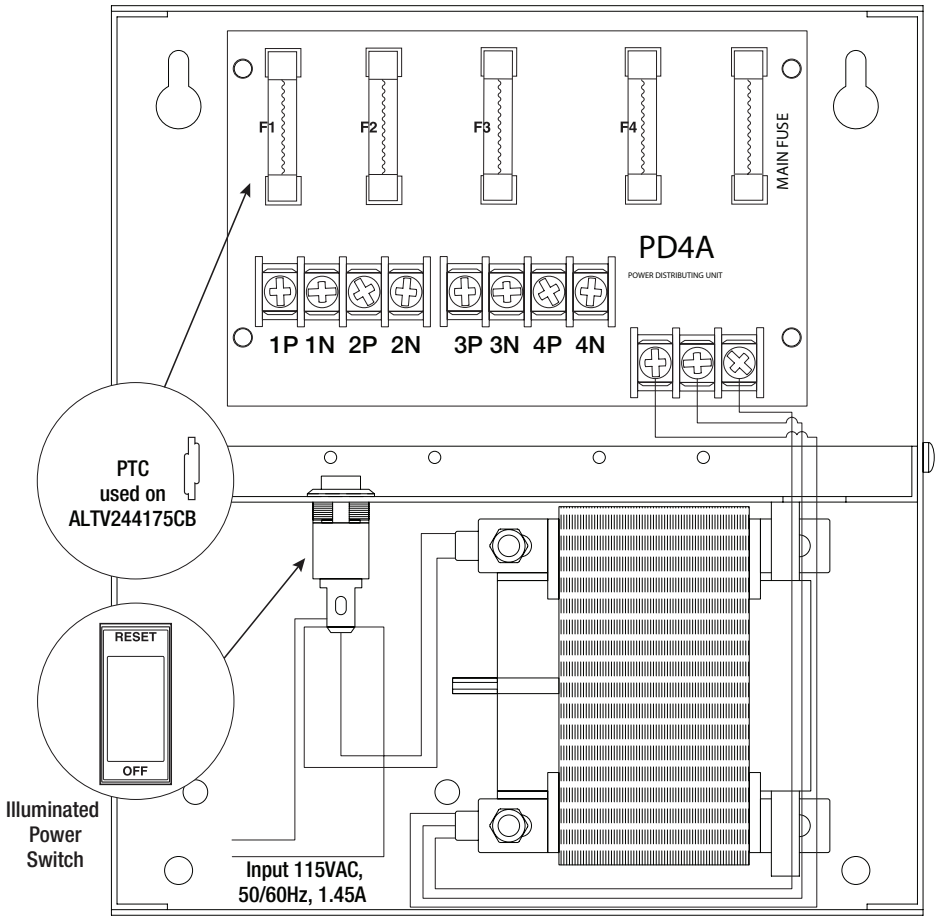


Fig. 2 - ALTV244175 and ALTV244175CB



### Voltage Selection Configuration

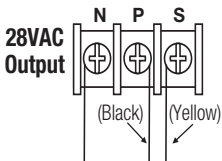
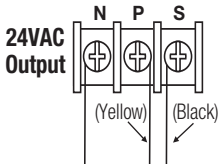
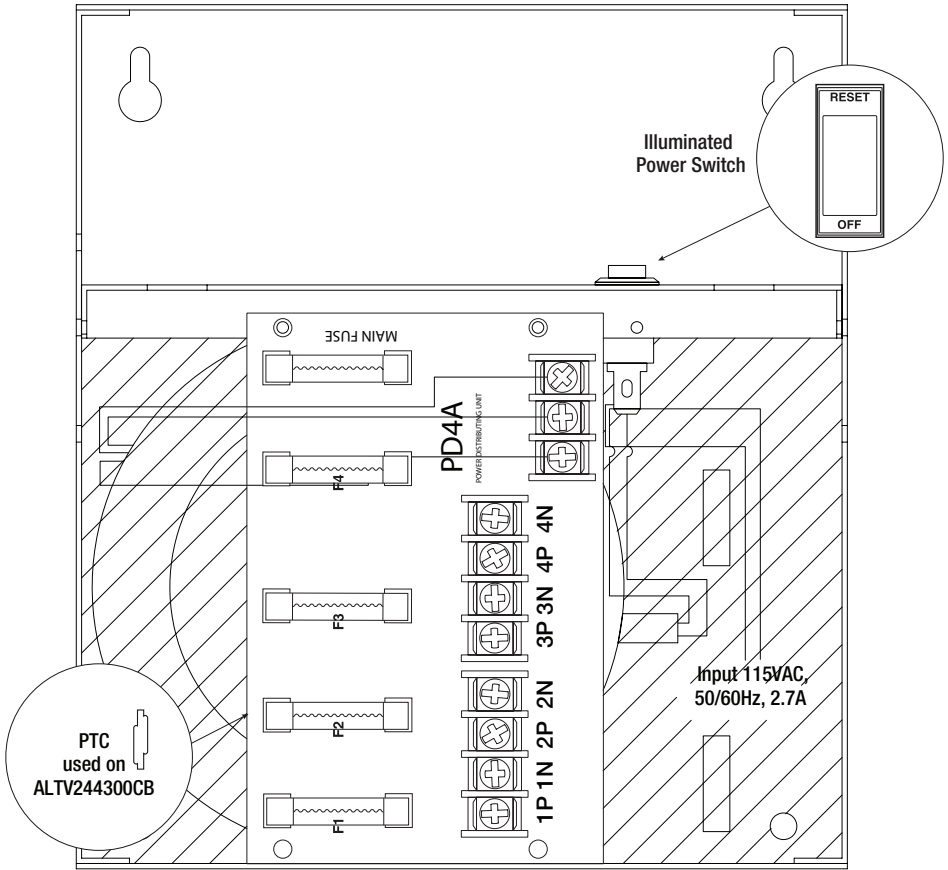
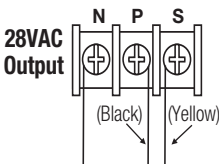
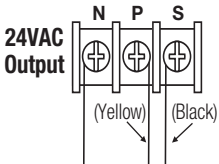


Fig. 3 - ALTV244300 and ALTV244300CB



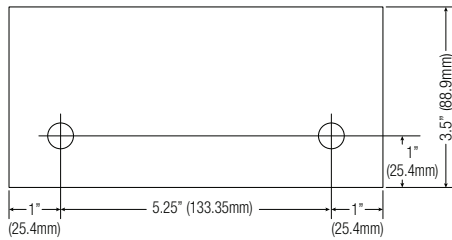
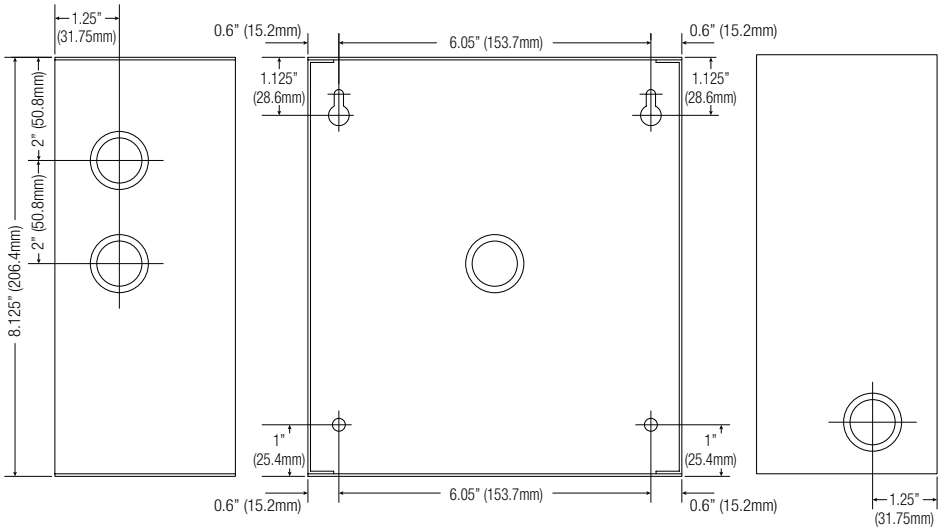
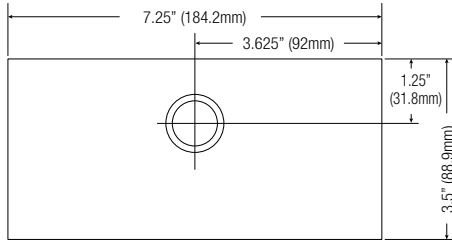
**Voltage Selection Configuration**



# Enclosure Dimensions (H x W x D) for:

- ALTV244
- ALTV244CB

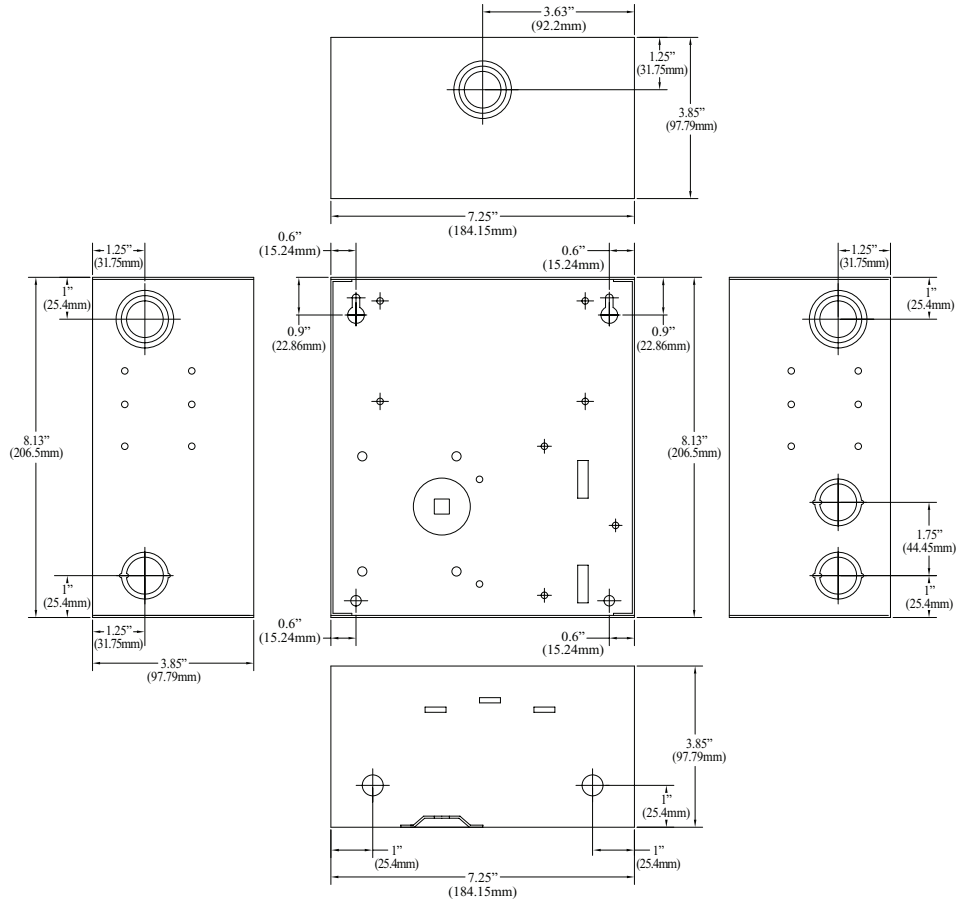
8.5" x 7.5" x 3.5" (215.9mm x 190.5mm x 88.9mm)



# Enclosure Dimensions (H x W x D) for:

- ALTV244175
- ALTV244175CB
- ALTV244300
- ALTV244300CB

8.5" x 7.5" x 3.875" (215.9mm x 191mm x 98.4mm)



Altronix is not responsible for any typographical errors.

140 58th Street, Brooklyn, New York 11220 USA | 718-567-8181 | fax: 718-567-9056  
 website: [www.altronix.com](http://www.altronix.com) | e-mail: [info@altronix.com](mailto:info@altronix.com) | Lifetime Warranty  
 IIALTV244 Series J26U

