



eBridge4PCR_X

Four (4) Channel IP over Coax Receiver

Installation Guide



LISTED

I.T.E. 43KC

Rev. 072412



More than just power.™

Installing Company: _____ Service Rep. Name: _____

Address: _____ Phone #: _____

Overview:

Altronix eBridge4PCRX is a CAT5 to Coax cable Managed Ethernet Midspan receiver. The receiver enables fast 10/100Base-T Ethernet digital communication to be received over Coax cable. eBridge4PCRX receiver sends power over the coax to the eBridge1PCT 15.4W (PoE), eBridge1PCTX 30W (PoE+) or eBridge1ST 30W (PoE+) transmitter under PoE protocol. The eBridge1PCT/1PCTX/1ST, in turn, delivers that power to a PoE enabled cameras or devices. eBridge4PCRX will not deliver power to non-compliant devices. These plug and play units facilitate system upgrades from analog to IP cameras/devices utilizing existing legacy Coax and eliminating the costs and labor associated with installing new network cabling. In addition, data transmission and power over the Coax is possible up to 500m in comparison to 100m Ethernet maximum distance (*see Maximum Length of Coax Type vs. Camera Power/PoE Class, pg. 3*). A maximum range from head end to the PoE camera/device is 700m, taking into consideration that 100m of structured cable may be deployed at each end. Altronix offers model VertiLine563 Rack Mount Power Supply/Charger which provides 56VDC output to power up to two (2) eBridge4PCRX receivers with up to eight (8) PoE+ cameras/devices.

Features:

Agency Listings:

- **UL 60950-1** Information Technology Equipment.
- **CE** European Conformity.
- **C-Tick** C-Tick compliant.

Compatible Transceivers:

- **eBridge1PCT:** Single port ethernet/PoE transceiver.
- **eBridge1PCTX:** PoE/PoE+ compliant transceiver.
- **eBridge1ST:** PoE/PoE+ compliant mini transceiver.

Input:

- 48VDC to 56VDC UL Listed power supply (attention to observe polarity).
Note: Use 54V to 56V power supply to achieve full power per IEEE802.3 at standard.

Power Consumption:

- 48VDC/2.6A, 56VDC/2.6A.
eBridge1PCTX or eBridge1ST (30W):
Powered by eBridge4PCRX.
eBridge1PCT (15W): Powered by eBridge4PCRX.

Ethernet:

- Connectivity: RJ45, auto-crossover.
- Wire type: 4-pair CAT5 or better structured cable.
- Distance: up to 100m.
- Speed: 10/100BaseT, half/full duplex, auto negotiation.
- Throughput is rated to pass 25Mbps of data at distances up to 500m. With proper headend equipment multiple Megapixel cameras can be used.

Coax:

- Distance: up to 500m.
- Connectivity: BNC, RG-59/U or similar.

LED Indicators:

- Blue LED - Coax link connection.
- Green LED - Power.
- Yellow and Green LED (RJ45) IP Link status, 10/100Base-T/active.

Environmental:

- Operating temperature:
– 10°C to 50°C (14°F to 122°F).
- Storage temperature:
– 30°C to 70°C (– 22°F to 158°F).
- Humidity: 20 to 85%, non-condensing.

Applications:

- Retrofit digital IP cameras in an analog CCTV installation.
- Works with Megapixel, HD720, HD1080 and VGA (SD) cameras (*see note, pg. 3*).
- Extend Network link distance in an industrial environment.
- Upgrade deployed CCTV Coax to a digital network in Retail, Hospitality, Arenas, Casinos, Airports, Schools, Hospitals, Transportation, etc.

Accessories:

- **VertiLine563:** 56VDC Rack Mount Power Supply/ Charger.
- **RE2:** Rack mount battery enclosure. Accommodates up to four 12VDC/7AH batteries (batteries not included).

Mechanical:

- Dimensions (H x W x D approx.):
1.7" x 5.25" x 9.25" (43.8mm x 133.4mm x 235mm).

Installation Instructions:

Wiring methods shall be in accordance with the National Electrical Code/NFPA 70/ANSI, and with all local codes and authorities having jurisdiction. Wiring should be UL Listed and/or Recognized wire suitable for the application. eBridge4PCRX is not intended to be connected to outside plant leads and should be installed indoors within the protected premises. eBridge4PCRX is intended for indoor use only. This product is intended to be supplied by a UL Listed Power Supply rated from 48VDC to 56VDC.

Elevated Operating Ambient - If installed in a closed or multi-unit rack assembly, the operating ambient temperature of the rack environment may be greater than room ambient. Therefore, consideration should be given to installing the equipment in an environment compatible with the maximum ambient temperature (T_{ma}) specified by the manufacturer.

Reduced Air Flow - Installation of the equipment in a rack should be such that the amount of air flow required for safe operation of the equipment is not compromised

Mechanical Loading - Mounting of the equipment in the rack should be such that a hazardous condition is not achieved due to uneven mechanical loading.

Circuit Overloading - Consideration should be given to the connection of the equipment to supply circuit and the effect that overloading of the circuits might have on overcurrent protection and supply wiring. Appropriate consideration of equipment nameplate rating should be used when addressing this concern.

Reliable Earthing - Reliable earthing of rack-mounted equipment should be maintained. Particular attention should be given to supply connections other than direct connections to the branch circuit (e.g. use of power strips).

1. Affix rubber pads to eBridge4PCRX for shelf installation (*Fig. 4, pg. 7*).
2. Unit should be located in proximity to ethernet switch/network, NVR or video server.
3. Connect UL Listed 48VDC/56VDC (attention to observe polarity) UL Listed power supply to jack marked [Input 1] using two pin plug in connector (supplied) (*Fig. 1, pg. 4*).
Use 22AWG - 16AWG wire for this connection.
4. Connect structured cable from ethernet switch/NVR (network video server) to RJ45 jack marked [10/100BaseT] (*Fig. 1, pg. 4*).
5. Connect Coax cable to BNC connector marked [Data In] (*Fig. 1, pg. 4*).

Note: eBridge4PCRX is designed to accommodate Megapixel, HD720, HD1080 and VGA (SD) cameras. It is important to note that some high resolution and high frame rate cameras may demand faster headend processing ability, such as a PC graphics card to present a quality image. If the headend processing equipment is insufficient in speed, the image may show pixelation and latency. It is advisable to pre-test system if unsure. Alternatively, frame rate and resolution may be reduced to accommodate system equipment.

Technical Specifications:

Parameter	Description
Connections	BNC for Coax link. RJ45 for ethernet link.
Input power requirements	48VDC/2.6A, 56VDC/2.6A.
Indicators	Blue: Coax Link. Yellow (RJ45 connector): On - Link, Off - No Link, Blinking - Activity. Green (RJ45 connector): On - 100Base-TX, Off - 10Base-T. Green: Power.
Environmental Conditions	Operating Ambient Temperature (UL60950-1): - 10°C to 50°C (14°F to 122°F). Relative humidity: 85%, +/- 5%. Storage Temperature: - 30°C to 70°C (- 22°F to 158°F). Operating Altitude: - 304.8 to 2,000m.
Regulatory Compliance	UL/cUL Listed for Information Technology Equipment (UL 60950-1). CE European Conformity.
Weights (approx.)	Product: 1.35 lb. (0.61 kg) Shipping: 1.7 lb. (0.77 kg)

Fig. 1

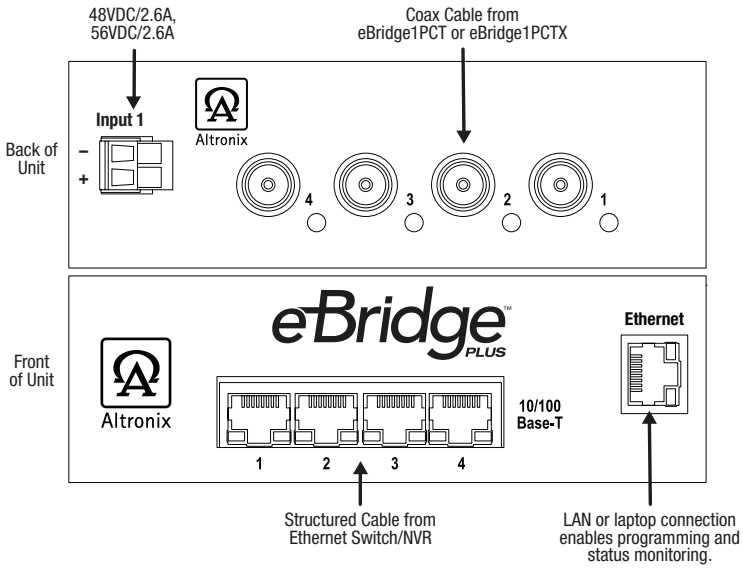
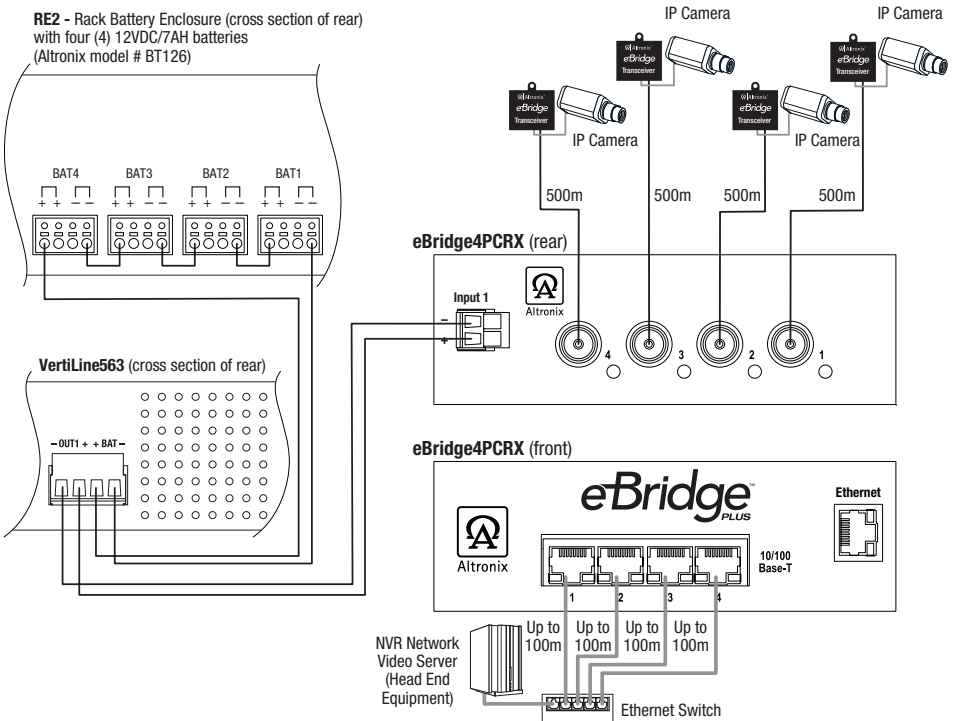


Fig. 2

Single IP Camera:

RE2 - Rack Battery Enclosure (cross section of rear) with four (4) 12VDC/7AH batteries (Altronix model # BT126)



Maximum Length of Coax Type vs. Camera Power/PoE Class:

Camera Power/PoE Class	Coax Type				
	RG59/U - 23AWG	RG59/U - 22AWG	RG59/U - 20AWG	RG59/U - 18AWG	RG6/U - 18AWG
	Max. Length (meters)				
13W/0	261	336	500	500	500
4W/1	500	500	500	500	500
6.5W/2	500	500	500	500	500
13W/3	261	336	500	500	500
19W	153	199	316	500	500
25W	119	152	240	366	366

eBridge4PCRX User Interface and Programming:

Note: A constant PC connection is not required for proper operations and is used as a local programming/monitoring tool only.

Step 1. Set Local Area Connection of your laptop to DHCP mode.

For Windows XP:

- Open Network Connections by clicking **Start** button, then clicking **Settings**, then clicking **Network Connections**.
- Right click the **Local Area Connection**. Click **Properties**. Administrator permission required. If you are prompted for an administrator password or confirmation, type the password or provide confirmation.
- Double click **Internet Protocol (TCP/IP)** menu item.
- Choose the **Obtain an IP address automatically** option.
- Click **OK**. Close all windows.

For Windows Vista:

- Open Network Connections by clicking the **Start** button Picture of the Start button, clicking **Control Panel**, clicking **Network and Internet**, clicking **Network and Sharing Center**, and then clicking **Manage Network Connections**.
- Right click the **Local Area Connection** icon, and then click **Properties**. Administrator permission required. If you are prompted for an administrator password or confirmation, type the password or provide confirmation.
- Click the **Networking** tab. Under this connection uses the following items, click either **Internet Protocol Version 4 (TCP/IPv4)** or **Internet Protocol Version 6 (TCP/IPv6)**, and then click **Properties**.
- To specify IPv4 IP address settings, click **Obtain an IP address automatically**, and then click **OK**.
- To specify IPv6 IP address settings, click **Obtain an IPv6 address automatically**, and then click **OK**.

For Windows 7:

- Open Network Connections by clicking the **Start** button Picture of the Start button, clicking **Control Panel**, clicking **Network and Internet**, clicking **Network and Sharing Center**, and then clicking **Change Adapter Settings**.
- Right click the **Local Area Connection** icon, and then click **Properties**. Administrator permission required If you are prompted for an administrator password or confirmation, type the password or provide confirmation.
- Click the **Networking** tab. Under this connection uses the following items, click either **Internet Protocol Version 4 (TCP/IPv4)** or **Internet Protocol Version 6 (TCP/IPv6)**, and then click **Properties**.
- To specify IPv4 IP address settings, click **Obtain an IP address automatically**, and then click **OK**.
- To specify IPv6 IP address settings, click **Obtain an IPv6 address automatically**, and then click **OK**.

Step 2. Connect a laptop or PC to the Ethernet port of your eBridge4PCRX unit, or connect your eBridge4PCRX and laptop/PC to a DHCP router if eBridge4PCRX is in DHCP mode.

The eBridge4PCRX unit should be powered up at this moment.

Step 3. Open a browser window (it is necessary to update your browser software to the latest version so that the pages display and function correctly).

Step 4. Enter the eBridge4PCRX IP address (the default IP address is 192.168.168.168), or enter the eBridge4PCRX host name if in DHCP mode (default host name is "eBridge4PCRX1".) into the address bar. Status page will be displayed.

Configuring eBridge4PCRX for Network Connection:

Since every Network Configuration is different, please check with your Network Administrator to see whether your eBridge4PCRX should use static IP addresses, or DHCP assigned IP addresses and/an Inbound Port assignment prior to setting up network connection.

1. Click **Network Settings** link.

If you are prompted for an administrative password, type and submit the password.

Note: Default settings have password requirements turned off .

2. Network Setup page will be displayed. You may now configure your eBridge4PCRX for network connection.

Network Type:

Static IP	User can set a fixed IP for network connection.
DHCP	DHCP server in LAN will automatically assign IP configuration for the network connection.
IP	This field shows the eBridge4PCRX current IP Address. A static IP address must be set manually. If DHCP this value will be assigned automatically.
Subnet Mask	This field shows the subnet mask for your network so the eBridge4PCRX will be recognized within the network. If DHCP is selected, this value will be assigned automatically.
Inbound Port	Port number for HTTP/WEB communication.
Host Name	Name of the eBridge4PCRX device on the LAN.

Additional Information:

1. If using DHCP, all settings will be detected automatically.

While DHCP is a useful tool for determining the network settings, if you set up your eBridge4PCRX in this manner its IP address may change at different times for different reasons, particularly after a power failure. If the IP address of the eBridge4PCRX changes, you may have difficulties accessing your eBridge4PCRX locally and/or remotely. It is strongly recommended that you connect via host name when units configured as DHCP. Please do not set the DHCP address issued to the eBridge4PCRX by the router as its static IP address unless you take specific steps that program your router to prevent such address conflicts.

2. If using a Static IP (recommended), you will need to input the information manually. In order for DDNS to work, you must enter valid data, compatible with your network, for all of the network setting fields: IP address, Subnet Mask, Inbound Port and Host Name.

3. If you are connecting through a router, make sure that you have 'opened up' all the required network ports in the port forwarding section of your router's setup options. That is, you have directed the router to send any incoming traffic using those IP ports to the LAN IP address of the eBridge4PCRX. Useful information about router port forwarding can be found at www.portforward.com. Different routers may use different terms for port forwarding function. For instance, D-Link calls it virtual server, Netopia calls it pinholes. The default port for eBridge4PCRX is: 80

Note: Port 80 is the default port used for web browsing. Because of this, in order to prevent the average user from hosting a web server, most ISPs BLOCK traffic using port 80 from reaching the average site. If you only plan to monitor your eBridge4PCRX on a LAN, you can use port 80, and don't have to concern yourself with routers. However, if you desire remote access to your eBridge4PCRX, you MUST select functional ports and set up the port forwarding in your router. Other ports, such as 8080 and 8000 are sometimes blocked by ISPs as well. Which port(s) should be used? There are 65,535 valid IP ports to choose from. These are broken down into three groups:

- Well-Known Ports 0 through 1023.
- Registered Ports 1024 through 49151.
- Dynamic and/or Private Ports 49152 through 65535.

So, rather than encounter a port conflict by choosing a port commonly used for another purpose (like port 25 for SMTP mail or port 448 for secure sockets), choose an 'unusual' port number. For example, add 50,000 to your house number: 50,123 is less likely to lead to a port conflict. For a list of the known and registered ports, see <http://www.iana.org/assignments/port-numbers>.

Reset Features:

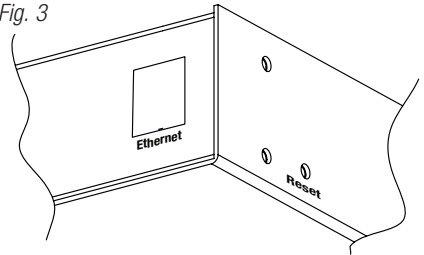
Reset Password:

1. Disconnect two pin plug connector from the jack marked [Input 1] (*Fig. 3, pg. 7*).
2. Reconnect two pin plug connector to the jack marked [Input 1] while depressing the [RESET button] on the side of the eBridge4PCR_X (*Fig. 3, pg. 7*).

Reset IP to Factory Settings:

1. During normal operation depress the [RESET button] on the side of the eBridge4PCR_X for approximately 1 second (*Fig. 3, pg. 7*).
2. Factory settings are: DHCP server and the IP address is [192.168.168.168].

Fig. 3

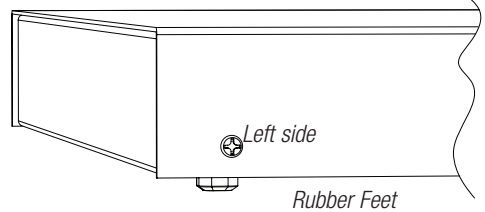


Shelf Installation

- 1- Position and affix rubber pads (C) (included) at each corner on the bottom of the unit (*Fig. 4*).
- 2- Place unit in desired location.

Fig. 4

Mounting Hardware (Included): Four (4) rubber pads 
--

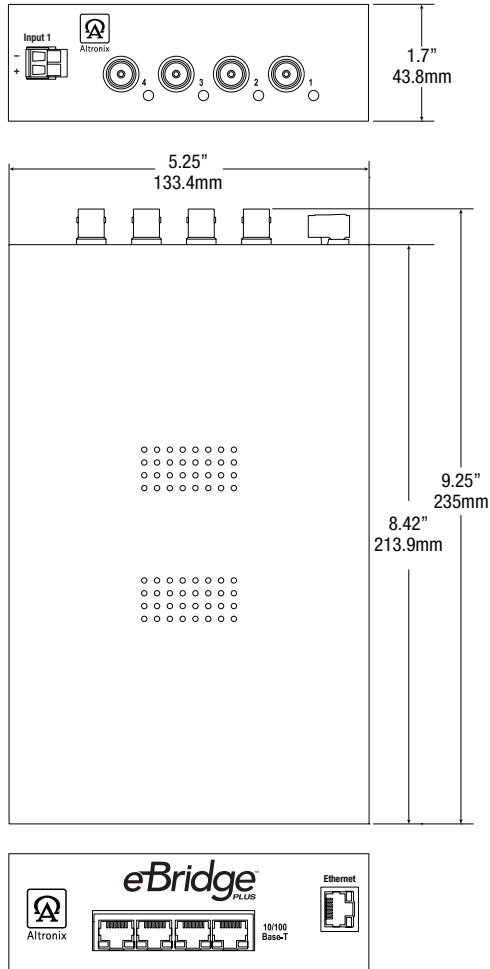


eBridge4PCRX Chassis Mechanical Drawing & Dimensions

(H x W x D approx.):

1.7" x 5.25" x 9.25" (43.8mm x 133.4mm x 235mm)

Fig. 5



Altronix is not responsible for any typographical errors.

140 58th Street, Brooklyn, New York 11220 USA | 718-567-8181 | fax: 718-567-9056
 website: www.altronix.com | e-mail: info@altronix.com | Lifetime Warranty
 lleBridge4PCRX G16U

