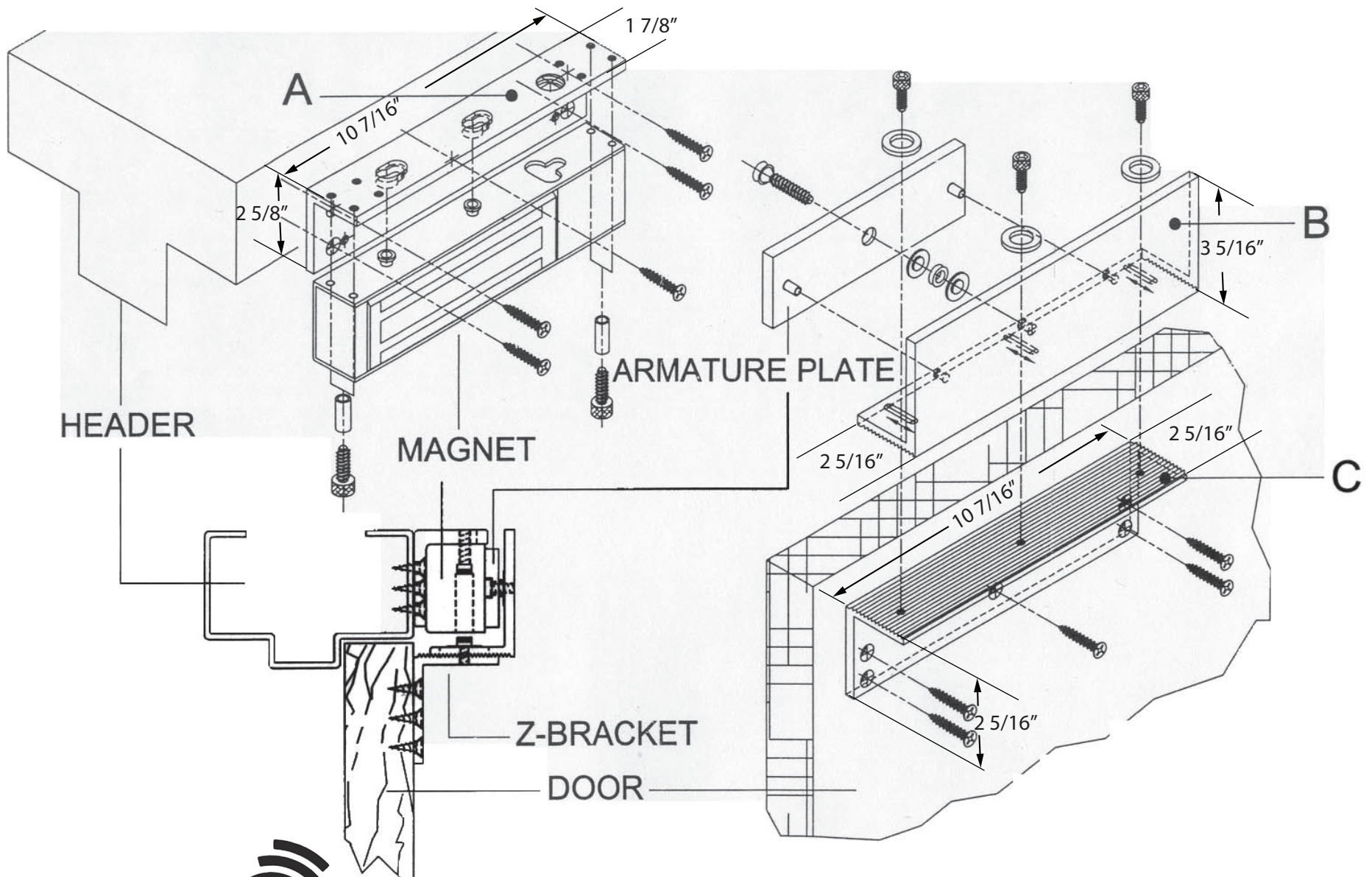


MODEL AM6370 L AND Z BRACKET FOR 1200 POUND SINGLE MAGNETIC LOCK



ALARM CONTROLS CORPORATION

DEER PARK, NEW YORK 11729

WWW.ALARMCONTROLS.COM