



MS-Series™ Proximity Key Tags & Patches

DATA SHEET

For Use With MS-Series™ Proximity Readers



PKT-10X Proximity Key Ring Tag

- Smallest Proximity Key Ring Tag available
- Robust and Durable - Washing Machine Tough
- Unique Codes
- Lifetime Warranty

AP-10X Adhesive Proximity Patch

- Turns virtually anything into a proximity credential
- Extremely strong adhesive, patch will not accidentally fall off
- Unique Codes
- Extremely Thin



Keri's **PKT-10X Proximity Key Ring Tag** provides user convenience in a small, ergonomic, and extremely durable package. The tag is equipped with a brass eyelet for attachment to a key ring that ensures the neck of the tag will not break during the life of the system. Key Tags are especially convenient for building entrances where the user still has their car keys in hand. If the system has many interior doors that are secured with a Keri access control system, users often attach the tag to a lanyard for easy carrying, especially if the clothing does not have pockets. If parking gates are secured by an access control system, a Keri Proximity Card is recommended because the tag is usually hanging with the keys in the ignition.

The **AP-10X Adhesive Proximity Patch** from Keri offers all the flexibility of other Keri proximity credentials, but in a form factor that allows it to be attached to virtually anything. As with any Keri proximity device, it will read through most non metallic surfaces.

Common AP-10X Applications:

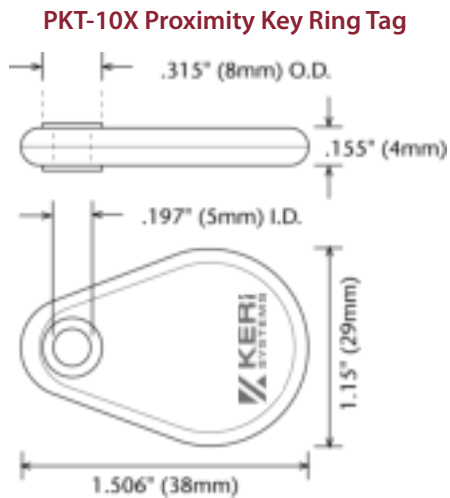
- Attach it to a wallet or cell phone to create a personalized proximity credential
- Use it with an existing photo ID card to create new security credentials without incurring the expense of rebadging
- Place it on high value inventory items to uniquely identify these items to your security system
- Adhere it to older *swipe* technology device cards (such as *Wiegand* and *Mag Stripe*) to provide a low cost proximity upgrade (the proximity patch can interfere with other RFID technologies)

Keri **Proximity Credentials** (including Cards, Tags, and Patches) can be used interchangeably on the same system without worry about ID code duplication or format matching.



MS-Series™ Proximity Key Tags & Patches

DATA SHEET - Page 2 of 2



Specifications:

Read Range*:

MS-3000 up to 2 inches (5 cm)
 MS-4000 up to 1 inch (2.5 cm)
 MS-5000 up to 4 inches (10 cm)
 MS-7000 up to 7 inches (18 cm)

Size:

L = 1.51, W = 1.15, T = 0.155 inches
 Approx. 38 x 29 x 4 mm

Weight:

0.16 oz
 (4.5 g)

Material:

ABS body, brass eyelet

Frequency:

125 KHz excitation /
 62.5 KHz return

Temperature:

-40° C to +70° C

Humidity:

0-100% non-condensing

Color:

Gray

Warranty:

The Key Tag comes with a limited lifetime warranty against defects in materials and workmanship

Specifications:

Read Range*:

MS-3000 up to 2 inches (5 cm)
 MS-4000 up to 1 inch (2.5 cm)
 MS-5000 up to 4 inches (10 cm)
 MS-7000 up to 7 inches (18 cm)

Size:

D = 0.980, T = 0.065 inches
 Approx. 24.89 x 1.65 mm

Weight:

0.03 oz
 (0.85 g)

Material:

Polycarbonate

Frequency:

125 KHz excitation /
 62.5 KHz return

Temperature:

-35° C to +50° C

Humidity:

0-100% non-condensing

Color:

Gray

Warranty:

The Patch comes with a limited lifetime warranty against defects in materials

*Note: Specifications subject to change without notice. Trademarks are the property of their respective owners.
 * Read range is stated in a clean RF and electrical environment with card presented parallel to the reader surface.*

ORDERING INFORMATION:

Model Number	Description
PKT-10X	Proximity Key Tag
AP-10X	Adhesive Proximity Patch

RELATED PRODUCTS:

Model Number	Description
KC-10X	Standard Light Proximity Card
MT-10XP	Multi-Tech Imageable Card (w/o Mag Stripe)
MT-10XM	Multi-Tech Imageable Card (w/Mag Stripe)



Presented By: