



AP2-20N

Indoor Curtain PIR Detector

Flexible wall or ceiling mount
Mounting height 8ft to 12ft
20ft of detection range



Compact Design & Stable Performance

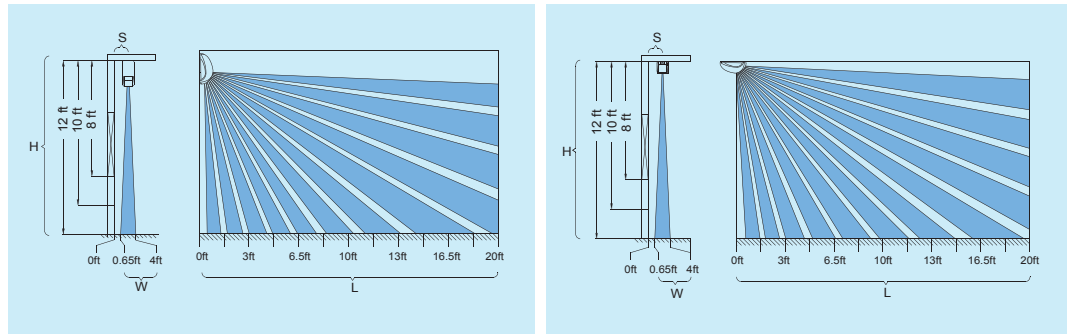
The AP2-20N is a true curtain indoor PIR detector combining stable and reliable performance with compact and discreet design, ideal for protecting large store front windows, hallways, storage units, small entryways, and varieties of other commercial and residential applications.

With its high-density detection area and uniform sensitivity, The AP2-20N indoor curtain PIR detector is equipped with OPTEX patented Double Conductive Shielding technology to resist interference from foreign light sources, drastically reducing false alarms.

The AP2-20N offers flexible wall or ceiling mounting height of 8ft to 12ft and 20ft of PIR detection range. With its unique and compact design, the AP2-20N is easy to install, reliable, and provides strong, stable, and accurate detection performance.

Features

- Fresnel lens design
- Modern and compact
- Patented Double Conductive Shielding Technology
- Wall / ceiling mounting
- 20ft detection range, 8ft to 12ft mounting height
- High-density detection zones
- Uniform sensitivity for stable performance



Components

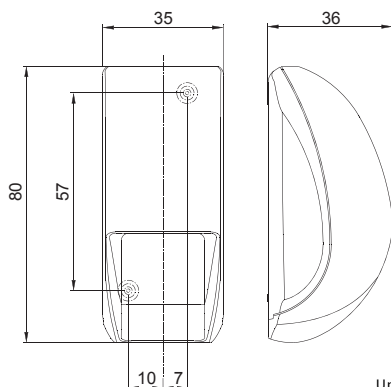
AP2-20N

Indoor curtain PIR detector, 20ft detection range, 8-12ft mounting height

Specifications

MODEL	AP2-20N
Detection Method	Passive Infrared
Coverage	20ft x 3.3ft - mounting height at 12ft (6m x 1m - mounting height at 3.6m)
Mounting	Wall and ceiling
Mounting Height	8ft - 12ft (2.4m - 3.6m)
Zone Width	3.3ft max - mounting height at 12ft (1m max - mounting height at 3.6m)
Sensitivity	35.6°F at 2ft/s (2°C at 0.6m/s)
Detectable Speed	1ft - 10ft/s (0.3m - 3m/s)
LED Indicator	Switchable ON/OFF
Sensitivity Adjustment	H/L
Alarm Output	Approx. 2.5 sec, N.C., 28V DC, 200mA max
Tamper Switch	N.C., opens when cover is removed. N.C. 28V DC, 100mA (max)
Warm-up Period	Approx. 60sec
Power Input	9.5 - 16V DC
Current Draw	12mA (max)
Weight	Approx. 1.75oz (Approx. 50g)
Operating Temperature	-4°F - +122°F (-20°C - +50°C)
Environmental Humidity	95% max
RF Interference	No alarm 10V/m at 80MHz - 1GHz
Application Environment	Indoor

Dimensions



Unit: mm

Installation Parameters

Installation Height (H)	8 ft	10 ft	12 ft
Area Width (W)	2 ft	2.5 ft	3 ft
Area Length (L)	20 ft	20 ft	20 ft
Recommended Distance Adjacent to Wall or Ceiling	1.5 ft	2 ft	2.5 ft



800.966.7839
sales@optexamerica.com
www.optexamerica.com