

TSD-GPN1200

SOUND MASKING GENERATOR

OWNER'S MANUAL





TSD-GPN1200

SOUND MASKING GENERATOR



OWNER'S MANUAL

PRODUCT SUMMARY

The Atlas Sound TSD-GPN1200 generation 2 sound masking generator is perfectly suited for basic sound masking systems. Its DSP noise topology design eliminates repeating cycles commonly found in other manufacturers' low-cost digital designs. The TSD-GPN1200 provides pink noise as a source and incorporates a variable balanced output to match the input requirements of AtlasIED amplifiers. Additionally, it features a variable hi-cut filter with an operating range between 2 kHz and 16 kHz at a slope of 6 dB per octave, supporting equalization requirements for most basic sound masking systems. The TSD-GPN1200 also includes a remote level control designed to be used with the optional AtlasIED Masking attenuator, the ATMASKSC which offers precise adjustments in 1dB increments.

The TSD-GPN1200 is part of a full line of AtlasIED Time Saving Devices. These compact (1.5" x 4" x 2.75") units are designed to solve some of the common audio system problems in the easiest and in the most efficient and cost-effective way. All models are made from high quality components and include removable individual I/O connectors for quick and precise wiring, separate ground terminals for all I/Os assuring secured connections, and removable level controls that can be replaced with tamper-proof security covers. The TSDs are highly efficient and meet most energy standards as one 24V DC power supply (available separately) can power multiple Atlas Time Saving Devices.

KEY FEATURES

- Gen 2 Sound Masking Noise Generator Topology
- Balanced Line Output
- Adjustable Level and Hi-Cut Filter
- Pink Noise Source
- Stand Alone or Rack Mountable (Optional)
- Remote Level Control in 1 dB Steps
- Meets Energy Star Standards
- Compact Chassis Design
- Non Fluxuation Output Design

AUDIO APPLICATIONS

- Audio Sound Masking
- Security Masking
- Conference Rooms
- Meeting Areas
- Call Centers



TSD-GPN1200

SOUND MASKING GENERATOR



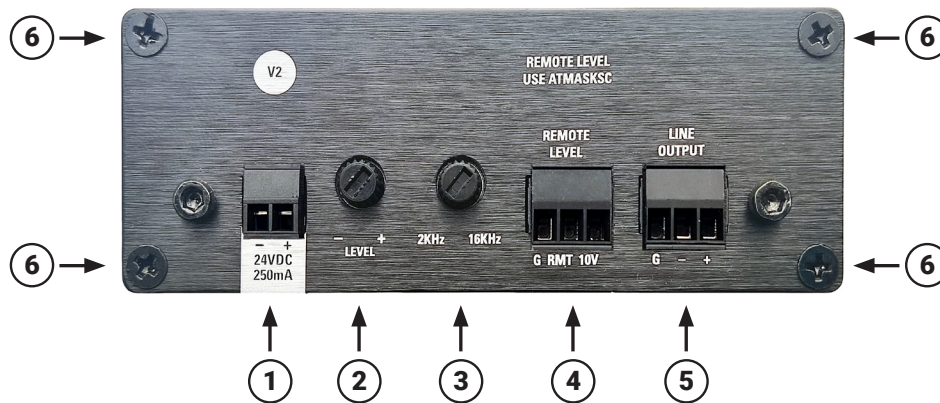
OWNER'S MANUAL

FRONT PANEL DESCRIPTION



1. **Power LED** - Illuminates Blue when 24VDC is present.

REAR PANEL DESCRIPTION



1. **DC Power Input** - Each TSD that requires DC power comes with a 2-position connector for an external 24VDC power supply (sold separately). Because of the low power consumption, a single external power supply may power more than one TSD. Refer to the current requirements in milliamps to match with the appropriate power supply. Note: It is acceptable to exceed the current of the TSDs but NOT safe to use a power supply that is below the current requirement of the device.
2. **Level Control** - Adjust the level of the masking signal at the High-Level speaker output and at the Line Out if the Pre/Post switch is in the "Post" position. Turn clockwise to increase the signal level and counterclockwise to decrease it.
3. **EQ Adjust** - Varies a low-cut filter with a range of 2kHz to 16kHz at 6dB per octave. With this control turned fully clockwise, the filter will have no effect on the output signal. Rotate the control counterclockwise to adjust the filter to your preferred masking spectra. This filter is used with a 1/3rd octave RTA (Real Time Analyzer) for final tuning of your sound masking system.
4. **Line Output** - A Balanced Line Level Output of the generator is present here. The connections between devices must be mated properly to the Output connector or signal loss and/or noise may be introduced. Note: Unbalanced line level inputs can be inserted by using the following wire configuration, tie (short) the (G) and (-) terminals together.
5. **Remote Level Control Port** - The masking level can be adjusted remotely by using a linear 10K-ohm potentiometer. AtlasIED suggests using the AtlasIED model ATMASKSC. The ATMASKSC is designed for masking sound systems to attenuate the level in 1dB steps and is not capable of turning off the masking completely.
6. **Cable Management Retainer Points** - Each TSD includes two cable retainer straps for securing the included cable management retainers. Remove one of the rear panel screws, align the panel hole with a retainer and firmly tighten the screws.

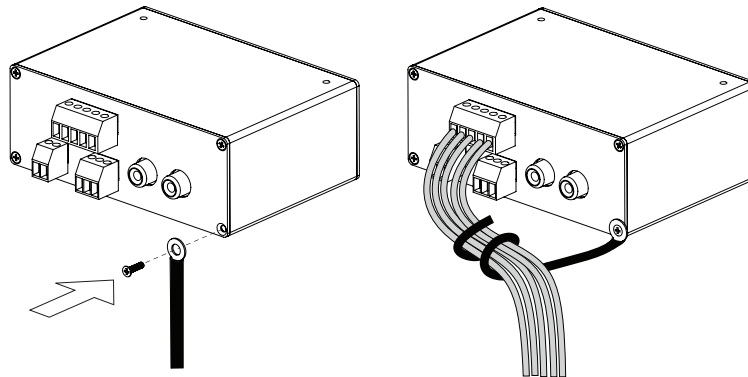
TSD-GPN1200

SOUND MASKING GENERATOR

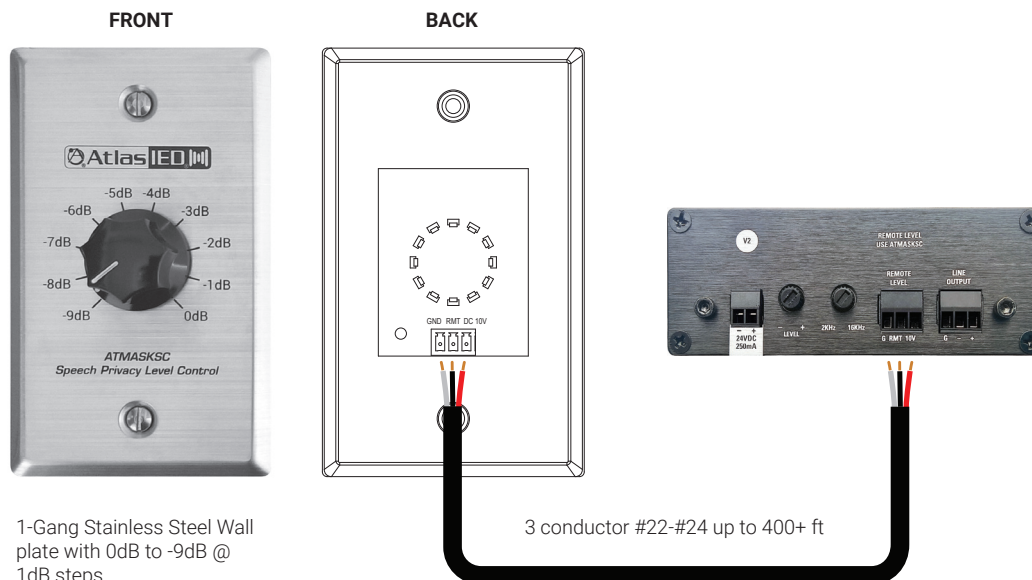


OWNER'S MANUAL

CABLE MANAGEMENT



MASKING ATTENUATOR ATMASKSC AND CONNECTION



1-Gang Stainless Steel Wall plate with 0dB to -9dB @ 1dB steps

3 conductor #22-#24 up to 400+ ft

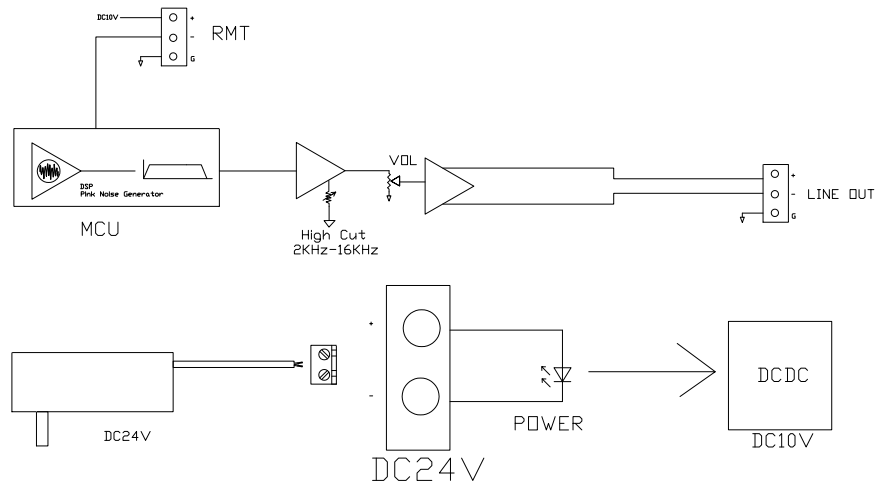
TSD-GPN1200

SOUND MASKING GENERATOR



OWNER'S MANUAL

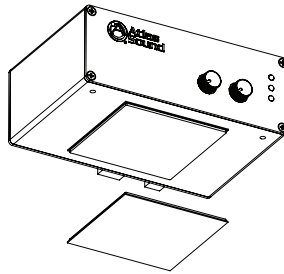
BLOCK DIAGRAM



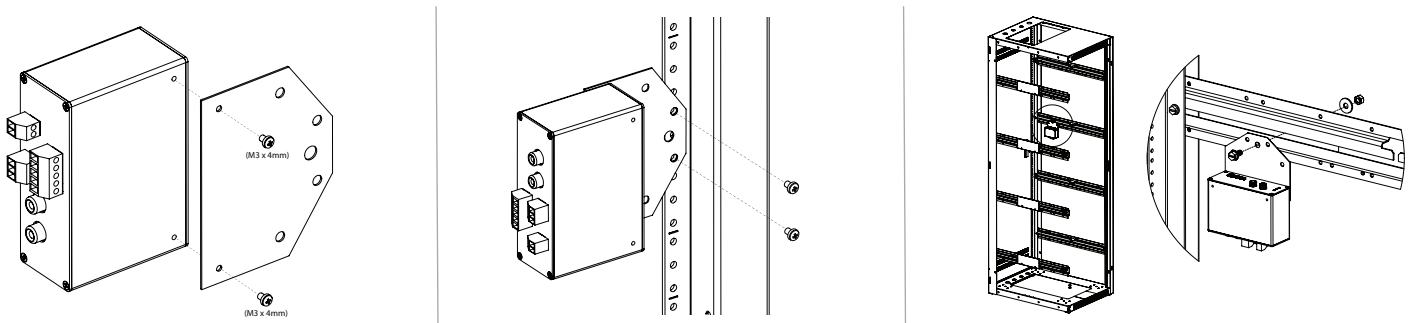
MOUNTING

Listed below are the ways to mount the TSD and the optional accessories that can be purchased.

1. **Velcro™** - Each unit includes two 2" x 2" pieces of industrial-grade Velcro™ with adhesive backing to adhere to any flat surface. Clean all surfaces before applying the adhesive side of the Velcro™.



2. **Multi Mount Plate** - Each TSD includes a versatile multi-position mounting plate. This plate allows the TSD to be mounted to any surface; but is ideal for use with rear rack rails or side rack hat channels. Use the included M3 x 4mm screws to install the plate on the TSD. Note: Only use the included M3 x 4mm screws as other screws may be too long and will cause internal damage to the TSD. The multi-position mounting plate is a new addition being included with TSDs. If the TSD being used did not include the mounting plate, contact AtlasIED customer service at 1-800-876-3333.



TSD-GPN1200

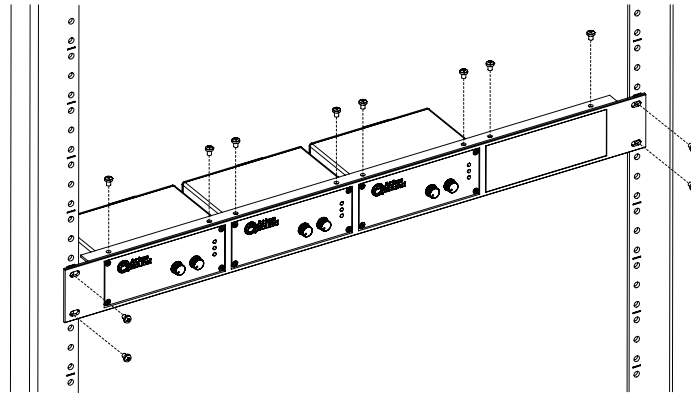
SOUND MASKING GENERATOR



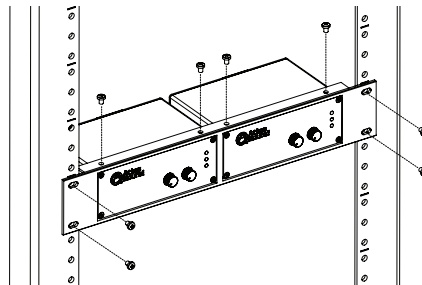
OWNER'S MANUAL

OPTIONAL MOUNTING ACCESSORIES

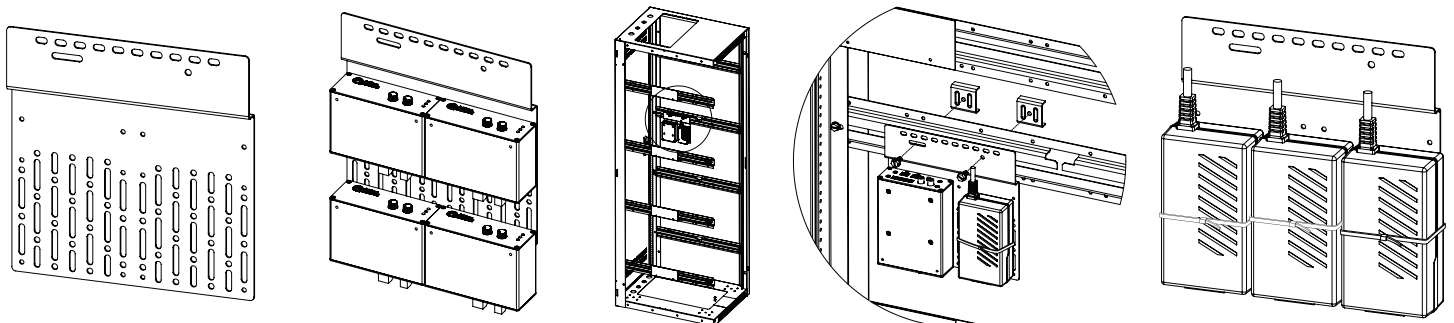
1. **TSD-RMK 19" Width Rack Mount Kit** - For 19" rack mounting, AtlasIED offers an optional rack mount kit, the TSD-RMK. This rack mount kit can support up to four TSD units. The kit includes three blank panels designed to fill any unused slots. Use the included hardware to mount the TSD into the rack mount kit using the top mount screw holes on the TSD.



2. **TSD-RMKHR Half Width Rack Mount Kit** - AtlasIED offers an optional rack mount kit that can be used in half width rack applications including the AtlasIED WMA-HR and AWR-HR models. The TSD-RMKHR can support up to two TSDs. Included is an extra blank panel to fill one of the spaces if only one TSD is being used.



3. **TSD-RRMK Rear Rack Mounting Kit** - For complete flexibility in mounting a TSD or TSD external power supplies the optional TSD-RRMK is available. The TSD-RRMK can support mounting of either two larger TSDs with external power supplies or up to 4 TSD models. **Note:** Only use the included M3 x 4mm screws as other screws may be too long and will cause internal damage to the TSD.



TSD-GPN1200

SOUND MASKING GENERATOR



OWNER'S MANUAL

SPECIFICATIONS	
Description	Sound Masking Generator Pre Amp
Chassis Color	Black
Chassis Material	Aluminum
INPUTS	
Noise Generator	Pink
OUTPUTS	
Type	Qty 1, Balanced Line
Connection	Removable 3 Position Captive Screw 3.5mm Spacing
Impedance	300Ω Balanced, 150Ω Unbalanced
Output Level	Maximum Output 500mV
CONTROLS	
Hi Cut Adjust	Recessed Screw Drive
Remote Level Control	Removable 3 Position Captive Screw Ground, DC Return 0V – 10V, 10V DC 3.5mm Spacing To be used with AtlasIED ATMASKSC
Indicators	
Power	Blue
ELECTRICAL	
Noise Topology	Random DSP, Non-Repeatable, Non Fluxuation Output Design
EQ Filter	Hi Cut, Variable, 2kHz 16kHz/6dB
Environmental	Operates -10°C – 40°C
MOUNTING	
Velcro	Industrial Grade, Included
Brackets	Qty 2, Included
Mounting Plate	Rack Rail / Din Rail mounting plate
TSD-RMK	Optional 1 RU Rack Mount Panel
Cable Retainer	Qty 1
POWER REQUIREMENTS	
24VDC	250mA
Current Draw	Current 100mA
Power Consumption	Watts 2.4W
DIMENSIONS	
	H 1.5" (39mm) x W 4" (101mm) x D 2.5" (70mm)
WEIGHT	
	6OZ, .165KG
OPTIONAL ACCESSORY	
TSD-RMK	1 RU 19" Width Rack Mount Panel (Supports 4 TSD Units)
ATMASKSC	Masking Attenuator, Single Gang

TSD-GPN1200

SOUND MASKING GENERATOR



OWNER'S MANUAL

LIMITED WARRANTY

All products manufactured by AtlasIED are warranted to the original dealer/installer, industrial or commercial purchaser to be free from defects in material and workmanship and to be in compliance with our published specifications, if any. This warranty shall extend from the date of purchase for a period of three years on all AtlasIED products, including SOUNDOLIER brand, and ATLAS SOUND brand products except as follows: one year on electronics and control systems; one year on replacement parts; and one year on Musician Series stands and related accessories. Additionally, fuses and lamps carry no warranty. AtlasIED will solely at its discretion, replace at no charge or repair free of charge defective parts or products when the product has been applied and used in accordance with our published operation and installation instructions. We will not be responsible for defects caused by improper storage, misuse (including failure to provide reasonable and necessary maintenance), accident, abnormal atmospheres, water immersion, lightning discharge, or malfunctions when products have been modified or operated in excess of rated power, altered, serviced or installed in other than a workman like manner. The original sales invoice should be retained as evidence of purchase under the terms of this warranty. All warranty returns must comply with our returns policy set forth below. When products returned to AtlasIED do not qualify for repair or replacement under our warranty, repairs may be performed at prevailing costs for material and labor unless there is included with the returned product(s) a written request for an estimate of repair costs before any nonwarranty work is performed. In the event of replacement or upon completion of repairs, return shipment will be made with the transportation charges collect.

EXCEPT TO THE EXTENT THAT APPLICABLE LAW PREVENTS THE LIMITATION OF CONSEQUENTIAL DAMAGES FOR PERSONAL INJURY, ATLASIED SHALL NOT BE LIABLE IN TORT OR CONTRACT FOR ANY DIRECT, CONSEQUENTIAL OR INCIDENTAL LOSS OR DAMAGE ARISING OUT OF THE INSTALLATION, USE OR INABILITY TO USE THE PRODUCTS. THE ABOVE WARRANTY IS IN LIEU OF ALL OTHER WARRANTIES INCLUDING BUT NOT LIMITED TO WARRANTIES OF MERCHANTABILITY AND FITNESS FOR A PARTICULAR PURPOSE.

AtlasIED does not assume, or does it authorize any other person to assume or extend on its behalf, any other warranty, obligation, or liability. This warranty gives you specific legal rights and you may have other rights which vary from state to state.

SERVICE

Should your Atlas TSD require service, please contact the AtlasIED warranty department at 1-877-689-8055, ext. 277 to obtain an RA number.

AtlasIED Tech Support can be reached at 1-800-876-3333 or support.atlasied.com.

Visit our website at www.AtlasIED.com to see other AtlasIED products.