

AVC-NBL21M-L1

2MP HD LPR ANPR BULLET NETWORK CAMERA



2MP HD LPR ANPR BULLET NETWORK CAMERA

2MP HD LPR ANPR BULLET NETWORK CAMERA WITH INFINITE-STAR™ FEATURES

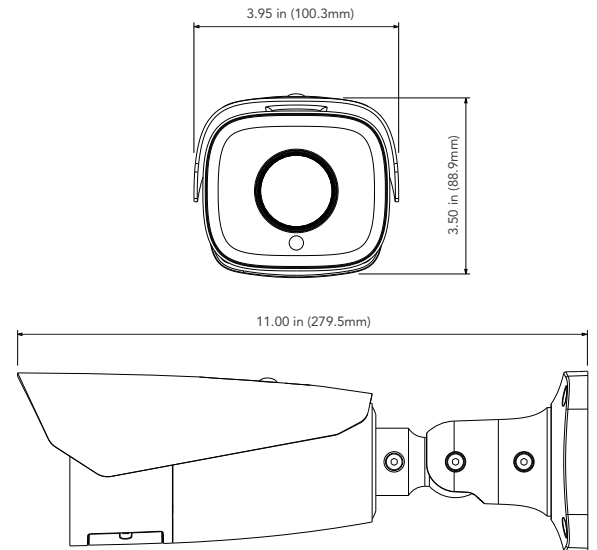
The AVYCON AVC-NBL21M-L1 camera is a 2MP ANPR Bullet IP Camera using Infinite-Star™ technology, with an ultra-low 0.005 lux sensitivity, providing crisp color images of people and license plates, even at night. This camera also supports a built-in automated license plate reader, capturing plates at speeds up to 43 mph, and the ability to save snapshots and create an allowed list for access control. This camera supports True Day and Night mode, PoE, and up to 230ft. of Smart IR Illumination. The camera also features Alarm Input/Output connections, Audio Input/Output, a microSD slot (128GB max capacity), and is ONVIF compliant. Optional accessories for this camera include a Junction Box Mount.

FUNCTIONS

- 2MP / 1080P (1920 × 1080) @ 30fps
- Max. Resolution: 1920 x 1080
- Supports Smart H.265/H.264 Encoding
- True Day & Night ICR with Infinite-Star™ Technology
- Up to 230 ft. IR Illumination
- Motorized 2.8 - 12mm Zoom Lens
- Supports Automated LPR (ANPR) with allowed list for access control
- 3D DNR, True WDR, HLC, BLC and ROI Encoding
- Hardware Reset button
- 1 channel Audio input; 1 channel Audio output
- 1 channel Alarm input; 1 channel Alarm output
- Built-in Micro SD card slot (max. 128 GB)
- DC12V / PoE (802.3af)
- P2P Function Optional
- IP67 Ingress Protection
- Supports Triple Streams
- Supports Remote Access with Windows, macOS, iOS and Android
- Operating Temperature: -22°F - 140°F, less than 90% RH

DIMENSIONS

Unit : inch (mm)



OPTIONAL ACCESSORIES



AVM-EDMTS-W-TL1



AVM-P-PMT
(Junction Box Not Included)



AVM-P-CMT
(Junction Box Not Included)



AVM-PT-PCMT
(Junction Box Not Included)

AVC-NBL21M-L1

2MP HD LPR ANPR BULLET NETWORK CAMERA

CAMERA	
Image Sensor	1/2.8" Progressive Scan CMOS
Min. Illumination	Color: 0.005 lux @ F1.4
Shutter Speed	1/100,000s ~ 1/25s
IR Distance	Up to 230ft (70m) Smart IR Illumination
Day & Night	True Day/Night - ICR Filter Auto Switch
Focal Length	2.8~12mm
Field of View	103.4°~32.4°
WDR	120dB
BLC	Yes
HLC	Yes
Defog	Yes
Digital NR	3D DNR
VIDEO STREAM	
Max. Image Resolution	1920 x 1080 @ 30fps
Supported Resolutions	1920 x 1080, 1280 x 720, 704 x 480, 352 x 240, 480 x 240
Main Stream	60Hz: 1080P/720P(1~30fps) 50Hz: 1080P/720P(1~25fps) HPR Mode: 1080P/720P(1~60fps/50fps)
Sub Stream	60Hz: 720P/D1/CIF(1~30fps); 50Hz: 720P/D1/CIF(1~25fps)
Third Stream	60Hz: D1/CIF/480x240(1~30fps); 50Hz: D1/CIF/480x240(1~25fps)
Video Compression	Smart H.265 / H.265+ / H.265 / Smart H.264 / H.264+ / H.264 / MJPEG
Video Bit Rate	64 Kbps~6 Mbps (CBR / VBR Adjustable)
Video Bit Rate Type	VBR/CBR
Image Settings	ROI, Brightness, Saturation, Chroma, Contrast, Wide Dynamic, Sharpen, NR; Configurable through Software or Web Browser
NETWORK	
Ethernet	1 x RJ45 10M / 100M Ethernet Port
API	ONVIF Profile S / G
Protocol	HTTP, HTTPS, IPv4/IPv6, 802.1x, QoS, FTP, SMTP, UPnP, SNMP, DNS, DDNS, NTP, RTSP, RTCP, RTP, TCP/IP, UDP, IGMP, ICMP, PPPoE, DHCP
Max Streams	Up to 10 channels Live View
Max Users	Up to 10 accounts; 3 User Levels: Administrator, Advanced User, Normal User
AUDIO	
Audio Compression	G.711A/U
Audio I/O	1 / 1
VIDEO ANALYTICS	
Snapshot	Overview and cutout of plate for picture
Allowed List	10,000
Capture Speed Range	0~43mph
Basic Events	Watermark, IP Address Filtering, Video Mask, Heartbeat, Password Protection, Non-Photosensitive Switch, Image Distortion Correction
Smart Events	License Plate Recognition, Scene Change Detection, Abnormal Video Detection, Video Tampering Detection, Line Crossing Detection, People Intrusion, People Counting
Alarm Link Events	Motion Detection, Sensor Alarm, SD Card Full, SD Card Error, IP Address Conflict, Network Disconnection
INTERFACES	
Storage	MicroSD Slot (128GB Max Capacity)
RS 485	N/A
Alarm I/O	1/1
GENERAL	
Working Temperature	-30°C~60°C (-22°F~140°F)
Working Humidity	0~95% (Non-Condensing)
Power Input	DC 12V / PoE (802.3af, <11W)
Ingress Protection	IP67 Rated
Weight	2.4lbs
Dimensions	11.00" x 3.95" x 3.50" (279.5mm x 100.3mm x 88.9mm)



AVYCON[®]

Copyright © AVYCON. All rights reserved. Specifications and pricing are subject to change without notice.

phone: 949-752-7606

email: info@avycon.com

social: @avycon_aivo

website: avycon.com