

**AVC-NSB21F28**  
**2MP H.265 FIXED LENS BULLET NETWORK CAMERA**



**2MP H.265 FIXED LENS BULLET NETWORK CAMERA**

2MP H.265 FIXED LENS BULLET NETWORK CAMERA

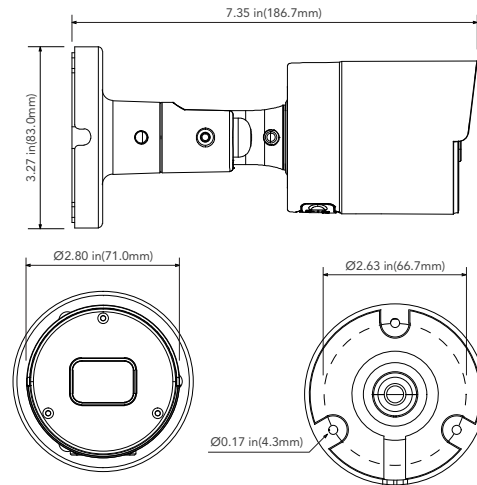
The AVYCON AVC-NSB21F28 camera is a 2MP H.265 Bullet Network Camera. This 2MP IP camera supports True Day and Night mode, PoE, and up to 98ft. of Smart IR Illumination, and also incorporates an InfiniteStar sensor which allows viewing of video in the lowest of light environments, even in color. This camera includes a Fixed 2.8mm Lens. Also standard with this series is Digital NR, ROI, HLC, True WDR, and BLC capabilities. Optional accessories for this camera include a Junction Box Mount. Includes a MicroSD memory card slot for standalone recording applications.

**FUNCTIONS**

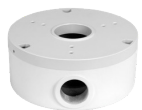
- 2MP ( 1920 x 1080 ) @ 30fps
- Max. Resolution: 1920 x 1080
- Supports Smart H.265/H.264 Encoding
- True Day & Night ICR
- Ingress Protection IP67
- Up to 98 ft. IR Illumination
- Fixed 2.8mm Lens
- 3D DNR, True WDR, HLC, BLC and ROI Encoding
- Supports Triple Streams
- Supports Remote Access with Windows, macOS, iOS and Android
- Operating Temperature: -22°F - 131°F
- DC12V / PoE (802.3af, ≤6W)
- Built-in MIC
- Built-in MicroSD Card Slot
- Built-in Reset Button
- NDA A Compliant

**DIMENSIONS**

Unit : inch (mm)



**OPTIONAL ACCESSORIES**



AVM-JB-BE-S1(-G)  
 JUNCTION BOX



AVM-CRM-A1  
 CORNER MOUNT



AVM-POM-A1  
 POLE MOUNT



AVA-MICSPKSRN  
 AUDIBLE AND VISUAL ALARM DEVICE



# AVC-NSB21F28

## 2MP H.265 FIXED LENS BULLET NETWORK CAMERA

### SPECIFICATIONS

CAMERA	
Image Sensor	1/2.7" Progressive Scan CMOS
Resolution	2MP
Image Size	1920 x 1080
Min. Illumination	Color: 0.05lux @ F1.2(AGC ON) BW: 0lux w IR ON
Shutter Speed	1/20,000s ~ 1/5s
Slow Shutter	Supported
IR Distance	Up to 98ft. (30m)
Lens	Fixed 2.8mm
Field of View	Horizontal:99°, Vertical:72°, Diagonal:131°
WDR	120dB
VIDEO STREAM	
Max. Image Resolution	1920 x 1080 @ 30fps
Supported Resolutions	1920 x 1080, 1280 x 720, 640 x 480, 320 x 240 @ 30fps
Main Stream	1920 x 1080, 1280 x 720
Sub Stream	1280 x 720, 640 x 480, 320 x 240
Mobile Stream	640 x 480, 320 x 240
Video Compression	H.265 / H.264
Video Bit Rate	8 Kbps ~ 8 Mbps (CBR / VBR Adjustable)
Max. Framerate	50Hz: 25fps@5MP/4MP/3MP/2MP/960P/720P/VGA/QVGA, 60Hz: 30fps@5MP/4MP/3MP/2MP/960P/720P/VGA/QVGA
NETWORK	
Ethernet	1 x RJ45 10M / 100M Ethernet Port
ONVIF	ONVIF(Profile S/G/T,20.06)
Protocol	HTTP, HTTPS, FTP, SMTP, UPnP, SNMP, DNS, DDNS, NTP, RTSP, RTP, TCP/IP, PPPoE, DHCP
Security	IP Address Filter; Complicated Password; Authenticated Username and Password
IMAGE	
Day & Night	IR cut filter with auto switch (Day/Night/Auto/Schedule)
True WDR	Yes
Digital NR	Yes (3D DNR)
Backlight Compensation (BLC)	Off/On (5 Zone)
Motion Detection	Off/On (8 Level)
Gain Control	Auto
White Balance	Auto/Manual/Indoor
Privacy Mask	Off/On (4 Zone, Rectangle)
Flip / Mirror	Flip/Rotation
Sharpness	Yes
Image Setting	Yes
Language	Support for English and Korean
VIDEO ANALYTICS	
Supported Recorders	Diversity Series
On-Board Storage	Micro SD slot, up to 256GB
Alarm/Audio	No/ Built-in Microphone
Hardware Reset	Yes
Smart Feature	PID,LCD,PD/VD,FD
Smart Events	Human Detection, Face Detection, Vehicle Detection
Alarm Link Events	Motion Detection
GENERAL	
Angle Adjustment	Any Angle
Input Voltage	DC 12V / PoE (802.3af)
Power Consumption	≤6W
Ingress Protection	IP67
Weight	0.7lbs
Working Temperature	-22°~131° F (-30°~55° Celcius)
Dimensions	7.35" x 3.27" (186.7mm x 83.0mm)

# AVYCON<sup>®</sup>

Copyright © AVYCON. All rights reserved. Specifications and pricing are subject to change without notice.

phone: 949-752-7606

email: info@avycon.com

social: @avycon\_aivo

website: avycon.com