

AVC-NSE51M

5MP H.265 MOTORIZED EYEBALL NETWORK CAMERA



InfiniteStar™
 Grey Available:
 AVC-NSE51M-G



5MP H.265 MOTORIZED EYEBALL NETWORK CAMERA

5MP H.265 MOTORIZED EYEBALL NETWORK CAMERA

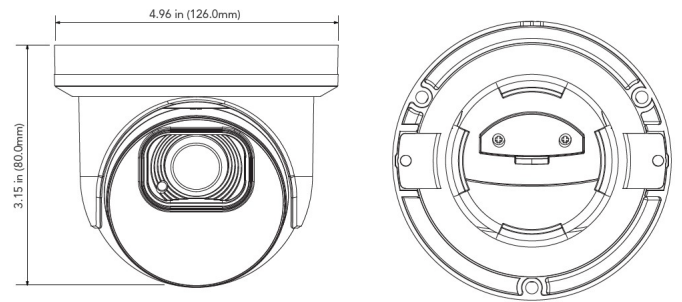
The AVYCON AVC-NSE51M camera is a 5MP H.265 Eyeball Network Camera. This 5MP IP camera supports True Day and Night mode, PoE, and up to 147ft. of Smart IR Illumination, and also incorporates an InfiniteStar sensor which allows viewing of video in the lowest of light environments, even in color. This camera includes a Motorized 2.7-13.5mm Lens with Auto-focus capabilities that can be controlled through a NVR. Also standard with this series is Digital NR, ROI, HLC, True WDR, and BLC capabilities. Optional accessories for this camera include a Junction Box Mount. Includes a MicroSD memory card slot for standalone recording applications.

FUNCTIONS

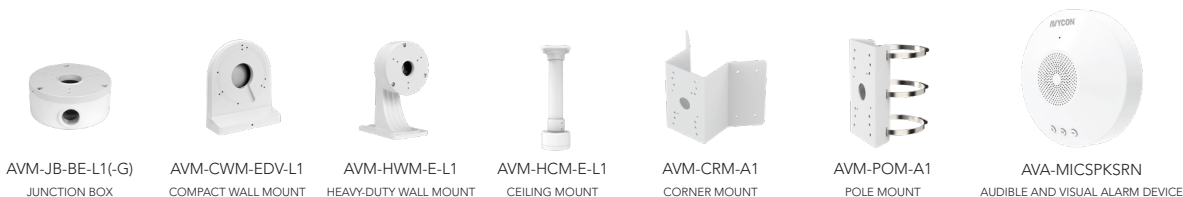
- 5MP (2592 x 1944) @ 30fps
- Max. Resolution: 2592 x 1944
- Supports Smart H.265/H.264 Encoding
- True Day & Night ICR
- IP67 Ingress Protection
- Up to 147 ft. IR Illumination
- Motorized Varifocal 2.7-13.5mm Lens
- 3D DNR, True WDR, HLC, BLC and ROI Encoding
- Supports Triple Streams
- Supports Remote Access with Windows, macOS, iOS and Android
- Operating Temperature: -22°F - 131°F(-30°~55° C)
- DC12V / PoE (802.3af, ≤6W)
- Built-in MicroSD Card Slot
- Built-in Reset Button
- NDA A Compliant

DIMENSIONS

Unit : inch (mm)



OPTIONAL ACCESSORIES



AVM-JB-BE-L1(G)
JUNCTION BOX

AVM-CWM-EDV-L1
COMPACT WALL MOUNT

AVM-HWM-E-L1
HEAVY-DUTY WALL MOUNT

AVM-HCM-E-L1
CEILING MOUNT

AVM-CRM-A1
CORNER MOUNT

AVM-POM-A1
POLE MOUNT

AVA-MICSPKSRN
AUDIBLE AND VISUAL ALARM DEVICE

AVC-NSE51M
5MP H.265 MOTORIZED EYEBALL NETWORK CAMERA

SPECIFICATIONS

CAMERA	
Image Sensor	1/2.7" Progressive Scan CMOS
Resolution	5MP
Image Size	2592 x 1944
Min. Illumination	Color: 0.05lux @ F1.2(AGC ON) BW: 0lux w IR ON
Shutter Speed	1/20,000s ~ 1/5s
Slow Shutter	Supported
IR Distance	Up to 147 ft. (45m)
Lens	Motorized Varifocal 2.7-13.5mm
Field of View	Horizontal: 101 ~ 32°, Vertical: 71 ~ 23°, Diagonal: 129 ~ 40°
WDR	120dB
VIDEO STREAM	
Max. Image Resolution	2592 x 1944 @ 30fps
Supported Resolutions	2592 x 1944, 2592 x 1520, 2304 x 1296, 2048 x 1535, 1920 x 1080, 1280 x 720, 640 x 480, 320 x 240
Main Stream	2592 x 1944, 2592 x 1520, 2304 x 1296, 2048 x 1535, 1920 x 1080, 1280 x 720
Sub Stream	720P(1280x720), VGA(640x480), QVGA(320x240)
Mobile Stream	VGA(640x480), QVGA(320x240)
Video Compression	H.265 / H.264
Video Bit Rate	8 Kbps ~ 8 Mbps (CBR / VBR Adjustable)
Max. Framerate	50Hz: 25fps@5MP/4MP/3MP/2MP/960P/720P/VGA/QVGA, 60Hz: 30fps@5MP/4MP/3MP/2MP/960P/720P/VGA/QVGA
NETWORK	
Ethernet	1 x RJ45 10M / 100M (BASE-T)
ONVIF	ONVIF Profile S / G
Protocol	HTTP, HTTPS, FTP, SMTP, UPnP, SNMP, DNS, DDNS, NTP, RTSP, RTP, TCP/IP, PPPoE, DHCP
Security	IP Address Filter; Complicated Password; Authenticated Username and Password
IMAGE	
Day & Night	IR cut filter with auto switch (Day/Night/Auto/Schedule)
True WDR	Yes
Digital NR	Yes (3D DNR)
Backlight Compensation (BLC)	Off/On (5 Zone)
Motion Detection	Off/On (8 Level)
Gain Control	Auto
White Balance	Auto/Manual/Indoor
Privacy Mask	Off/On (4 Zone, Rectangle)
Flip / Mirror	Flip/Rotation
Sharpness	Yes
Image Setting	Yes
Language	Support for English and Korean
VIDEO ANALYTICS	
Supported Recorders	Diversity Series
On-Board Storage	Micro SD slot, up to 256GB
Alarm/Audio	1 input, 1 output/ 1 input (RCA), 1 output (RCA)
Hardware Reset	Yes
Smart Feature	PID,LCD,PD/VD,FD
Smart Events	Human Detection, Face Detection, Vehicle Detection
Alarm Link Events	Motion Detection, Sensor Alarm
GENERAL	
Angle Adjustment	Any Angle
Input Voltage	DC 12V / PoE (IEEE802.3af)
Power Consumption	≤6W
Ingress Protection	IP67
Working Temperature	-22°~131° F (-30°~55° C)
Dimensions	4.96" x 3.15" (126.0mm x 80.0mm)



AVYCON[®]

Copyright © AVYCON. All rights reserved. Specifications and pricing are subject to change without notice.

phone: 949-752-7606
 email: info@avycon.com
 social: @avycon_aivo
 website: avycon.com