

AVC-PHN21X25LW
2MP 25X NETWORK IR SPEED DOME CAMERA



Infinite Star™



2MP NETWORK IR SPEED DOME CAMERA

2MP 25x IR NETWORK SPEED DOME, 12V&PoE

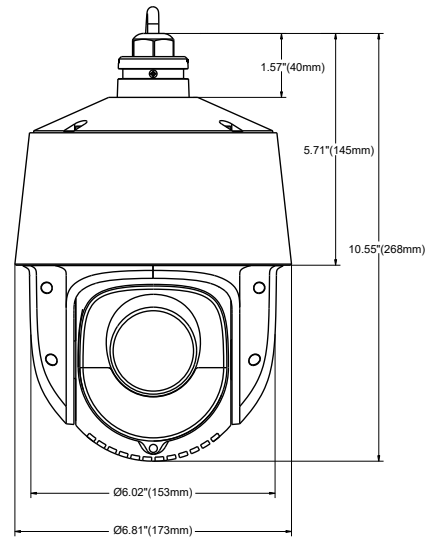
The AVC-PHN21X25LW camera is a 2MP Network Camera using Infinite-Star™ technology, with an ultra-low lux sensitivity, providing crisp color images of the environment even at night. Featuring powerful optical zoom and accurate pan/tilt/zoom performance, the camera provides a wide monitoring range and great detail. The camera delivers 2MP full high definition resolution at 25/30fps. The camera is equipped with smooth control, high quality image, and good protection, meeting compact size demands of video surveillance applications.

FUNCTIONS

- 1/2.8" Progressive Scan CMOS
- Up to 1920 x 1080 Resolution
- Min. illumination: Color: 0.005 Lux@(F1.6, AGC ON) / B/W: 0.001 Lux@(F1.6, AGC ON) / 0 Lux with IR
- 25x Optical Zoom, 16x Digital Zoom
- 120 dB WDR, 3D DNR, Smart IR
- Up to 150m IR distance
- Smart H.265/H.264 video compression
- IP66, -30°C~55°C, ADC12 + PC/GF
- PoE+ (802.3.at, class 3) and DC12V
- ONVIF, API and SDK
- NDAA Compliant
- Includes wall mount (AVM-PT-WMT-N20)

DIMENSIONS

Unit : inch (mm)



OPTIONAL ACCESSORIES



AVM-PT-CMT-N4M
CEILING MOUNT



AVM-PT-RMT-N20
IN-CEILING MOUNT



AVM-P-PMT
POLE MOUNT



AVM-P-CMT
CORNER MOUNT



AVC-PHN21X25LW
2MP 25X NETWORK IR SPEED DOME CAMERA

SPECIFICATIONS

CAMERA	
Image Sensor	1 / 2.8" Progressive Scan CMOS
Min. Illumination	Color: 0.005 lux @F1.6, AGC ON, B/W: 0.001lux @F1.65, AGC ON, 0 lux with IR
White Balance	Auto/Manual/Indoor/Outdoor
S/N ratio	More than 50dB
Gain	Auto/Manual
Shutter Time	1/1s - 1/100,00s
Day&Night	IR Cut Filter
Privacy Mask	No
Focus Mode	Auto/Manual
WDR	120dB
LENS	
Focal Length	f=4.8-120mm 25x Optical Zoom
Zoom Speed	Approx. 3.6s (Optical Lens, Wide-TELE)
Field of View	Horizontal field of view: 57.6° to 2.5°(Wide-TELE) Vertical field of view: 34.4° to 1.4° (Wide-TELE) Diagonal field of view: 64.5° to 2.9° (Wide-TELE)
Working Distance	Wide:1.0m~INF, Tele: 1.5m~INF
Aperture Range	F1.65 (Wide) to F3.8 (TELE)
IR	
IR Distance	150m
Smart IR	Yes
PTZ	
Pan Range	360° Endless
Pan Speed	Configurable, from 0.1°/s to 80°/s; Preset Speed: 80°/s
Tilt Range	From -5° to 90°
Tilt Speed	Configurable, from 0.5°/s to 80°/s; Preset speed: 80°/s
Proportional Zoom	Yes
Preset	360
Cruise	8 cruises, up to 16 presets for each cruises
Trace	4 traces, record time over 3 minutes for each trace
Power-off Memory	Support
Action Mode	Preset/Cruise/Trace/Auto Scan/Random Scan
3D Positioning	Support
PTZ Position Display	Support
Scheduled Task	Preset/Cruise/Trace/Random Scan/Boundary Scanning/Dome Reboot
COMPRESSION STANDARD	
Video Compression	H.265 / H.264 /MJPEG
H.264 Type	Baseline Profile/Main Profile/High Profile
H.265 Type	Main Profile
Video Bit Rate	128Kbps ~ 6Mbps
SVC	Support
SMART FEATURES	
Basic Event	Motion Detection, Video Exception Alarm, SD Card Full, SD Card Error
IMAGE	
Max. Resolution	1920 × 1080
Main Stream	1920 x 1080, 1280 x 720 25/30fps
Sub Stream	25fps (720P, 704 x 576, 352 x 288); 30fps (720P, 704 x 480, 352 x 240)
Third Stream	25fps (704 × 576, 640 × 480, 352 × 288); 30fps (704 × 480, 640 × 480, 352 × 240)
Image Enhancement	WDR/HLC/BLC/3D DNR/Defog/Regional Exposure/Regional Focus
NETWORK	
Network Storage	Built-in micro SD card slot, up to 128GB
Protocols	HTTP, HTTPS, IPv4/IPv6, 802.1x, QoS, FTP, SMTP, UPnP, SNMP, DNS, DDNS, NTP, RTSP, RTCP, RTP, TCP/IP, UDP, IGMP, ICMP, DHCP, PPPoE
API	ONVIF, Support AVYCON SDK and Third-Party Management Platform
Simultaneous Live View	Up to 6 channels
User/Host	Up to 16 users, 3 levels: Administrator, Advanced User and Normal User
Security Measures	User authentication (ID and PW), Host authentication (MAC address); HTTPS encryption, IEEE802.1x port-based network access control; IP address filtering
Client	AVYCON CVMS 2.0 LITE; and AVY Mobile CVMS
Web Browser	IE8-11, Chrome 41.0 to 44, Firefox 30.0 to 51, Safari 8.0 to 11
INTERFACE	
Network Interface	1 RJ45 10M/100M Adaptive Ethernet (Support PoE 802.3.at)
IMAGE	
Power	DC12V or PoE+ (802.3.at, class 3), (Max 22W, include IR on, Heater on, Fan working)
Working Environment	IP 66 Standard, 4000V Lightning Protection, Surge Protection and Voltage Transient Protection
Protection Level	ADC12, PC, PC+10%GF
Material	Aluminum Alloy; PC + GF10%
Dimensions	Φ 173mm × 247mm (6.8" Φ × 9.7")
Weight	Approx. 2.1 Kg (13.22 lb.)
DORI	
Definition	Detect: 25 px/m, Observe: 63 px/m, Recognize:125 px/m, Identify: 250 px/m
Distance(Tele)	Detect: 5240ft (1600m), Observe: 2083ft (635m), Recognize: 1050ft (320m), Identify: 525ft (160m)



Copyright © AVYCON. All rights reserved. Specifications and pricing are subject to change without notice.

phone: 949-752-7606
 email: info@avycon.com
 social: @avycon_aivo
 website: avycon.com