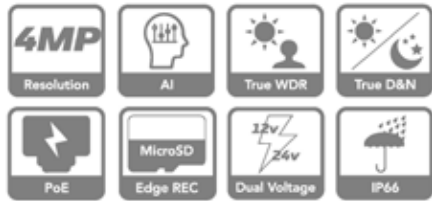


AVC-PNN41X25LW
4MP 25X NETWORK IR SPEED DOME CAMERA



Infinite Star



4MP NETWORK IR SPEED DOME CAMERA

4MP 25x IR NETWORK SPEED DOME, 12V&PoE

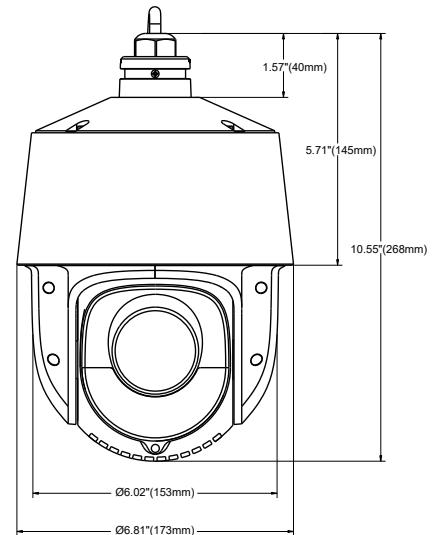
The AVC-PNN41X25LW camera is a 4MP Network Camera using Infinite-Star™ technology, with an ultra-low lux sensitivity, providing crisp color images of the environment even at night. Featuring powerful optical zoom and accurate pan/tilt/zoom performance, the camera provides a wide monitoring range and great detail. The camera delivers 4MP full high definition resolution at 25/30fps. The camera is equipped with smooth control, high quality image, and good protection, meeting compact size demands of video surveillance applications.

FUNCTIONS

- High Efficiency Video Coding (H.265)
- 1/2.7" 4MP Progressive Scan CMOS
- Up to 2560 x 1440 @30fps Resolution
- Min. illumination: Color: 0.01 Lux @ (F1.65, AGC ON) / B/W: 0.002 Lux @ (F1.65, AGC ON) / 0 Lux with IR
- 25x Optical Zoom
- WDR, HLC, BLC, 3D DNR, Defog
- Up to 150m smart IR distance
- PoE (802.3 at class 4)
- IP66
- Support H.265+/H.265 Video Compression
- Superior Image Quality
- Working Environment and Interoperability
- NDAA Compliant
- Includes wall mount (AVM-PT-WMT-N20)

DIMENSIONS

Unit : inch (mm)



OPTIONAL ACCESSORIES



AVM-PT-CMT-N4M
CEILING MOUNT



AVM-PT-RMT-N20
IN-CEILING MOUNT



AVM-P-PMT
POLE MOUNT



AVM-P-CMT
CORNER MOUNT



AVC-PNN41X25LW

4MP 25X NETWORK IR SPEED DOME CAMERA

SPECIFICATIONS

| CAMERA | |
|------------------------|--|
| Image Sensor | 1 / 2.7" Progressive Scan CMOS |
| Min. Illumination | Color: 0.01lux @F1.65, AGC ON; B/W: 0.002lux @F1.65, AGC ON, 0 lux with IR |
| White Balance | Auto/Manual/ATW (Auto-tracking WB)/Indoor/Outdoor |
| S/N ratio | More than 52dB |
| Gain | Auto/Manual |
| Shutter Time | 50Hz: 1/25s ~ 1/25,000s; 60Hz: 1/30s ~ 1/30,000s |
| Day&Night | Auto/Manual |
| Privacy Mask | 4 Programmable Privacy Masks, up to 8 per request |
| Focus Mode | Auto/Manual |
| 3D DNR | Auto/Manual |
| LENS | |
| Focal Length | 0.1"-4.7"(4.8-120mm) 25x Optical Zoom |
| Zoom Speed | Approx. 3.6s (Optical Lens, Wide-TELE) |
| Field of View | Horizontal field of view: 55° to 2.4° (Wide-TELE) Vertical field of view: 33° to 1.4° (Wide-TELE) Diagonal field of view: 61.5° to 2.8° (Wide-TELE) |
| Working Distance | Wide:1.0m~INF, Tele: 1.5m~INF |
| Aperture Range | F1.65 to F3.8 (Wide-TELE) |
| IR | |
| IR Distance | 525ft (160m) |
| Smart IR | Support |
| PTZ | |
| Pan Range | 360° Endless |
| Pan Speed | Configurable, from 0.1°/s to 200°/s; Preset Speed: 240°/s |
| Tilt Range | From -10° to 90° (Auto-Flip) |
| Tilt Speed | Configurable, from 0.1°/s to 200°/s; Preset speed: 240°/s |
| Proportional Zoom | Support |
| Preset | 360 |
| Cruise | 8 cruises, up to 16 presets for each cruises |
| Trace | 4 traces, record time over 3 minutes for each trace |
| Power-off Memory | Support |
| Action Mode | Preset/Cruise/Trace/Auto Scan/Random Scan |
| 3D Positioning | Support |
| PTZ Position Display | Support |
| Scheduled Task | Preset/Cruise/Trace/Random Scan/Boundary Scanning/Dome Reboot |
| COMPRESSION STANDARD | |
| Video Compression | H.265+/H.265/H.264+/H.264/MJPEG |
| H.264 Type | H.264/AVC codec BP/MP/HP, Level 5.1 |
| H.265 Type | H.265/HEVC codec MP, level 5.0 |
| Video Bit Rate | 64Kbps to 8Mbps |
| Audio Compression | G.711 A/U |
| SMART FEATURES | |
| Basic Event | Motion Detection, Video Tampering Detection, Exception |
| Smart Event | Object Removal Detection, Intrusion Detection, Line Crossing Detection, People Intrusion and People Counting |
| Smart Record | Face Recognize, Vehicle Detection and tracking, People and Vehicle Detection |
| IMAGE | |
| Max. Resolution | 2560 x 1440 |
| Main Stream | 50Hz: 25fps: 2560x1440,1920x1080,1280x960,1280x720; 60Hz: 30fps: 2560x1440,1920x1080,1280x960,1280x720 |
| Sub Stream | 50Hz: 25fps: (704 x 576, 640 x 480, 352 x 288); 60Hz: 30fps (704 x 480, 640 x 480, 352 x 240) |
| Third Stream | 50Hz:25fps (1920 x 1080, 1280 x 960, 1280 x 720, 704 x 576, 640 x 480, 352 x 288) 60Hz:30fps (1920 x 1080, 1280 x 960, 1280 x 720, 704 x 480, 640 x 480, 352 x 240) |
| Image Enhancement | WDR/HLC/BLC/3D DNR/Defog/Regional Exposure/Regional Focus |
| NETWORK | |
| Network Storage | Built-in micro SD card slot, up to 256GB |
| Protocols | HTTP, HTTPS, IPv4/IPv6, 802.1x, QoS, FTP, SMTP, UPnP, SNMP, DNS, DDNS, NTP, RTSP, RTCP, RTP, TCP/IP, UDP, IGMP, ICMP, DHCP, PPPoE |
| API | ONVIF, Support AVYCON API and Third-Party Management Platform |
| Simultaneous Live View | Up to 6 channels |
| User/Host | Up to 16 users, 3 levels: Administrator, Advanced User and Normal User |
| Security Measures | User authentication (ID and PW), Host authentication (MAC address); HTTPS encryption, IEEE802.1x port-based network access control; IP address filtering |
| CMS Client | AVYCON CVMS 2.0 Lite |
| Web Browser | IE8-11, Chrome 31.0 to 44, Firefox 30.0 to 51 |
| INTERFACE | |
| Network Interface | 1 RJ45 10M/100M Adaptive Ethernet ,Support PoE+ |
| GENERAL | |
| Power | DC12V±25%,3000mA ,PoE+ (802.3.at), max 23W include IR ON+PTZ working |
| Working Environment | -40°C~60°C(-40°F~140°F), ≤ 90% RH |
| Protection Level | IP 66 Standard, 6000V Lightning Protection, Surge Protection and Voltage Transient Protection |
| Material | Aluminum Alloy + Plastic/GF15% |
| Dimensions | Φ6.8" x 10.55"(Φ 173mm x 268mm) |
| Weight | Approx. 2.1KG (4.63lb) |
| DORI | |
| Definition | Detect: 25 px/m, Observe: 63 px/m, Recognize:125 px/m, Identify: 250 px/m |
| Distance(Tele) | Detect: 7218ft (2200m), Observe: 2864.3ft (873m), Recognize: 1443.6ft (440m), Identify: 721.8ft (220m) |



AVYCON

Copyright © AVYCON. All rights reserved. Specifications and pricing are subject to change without notice.

phone: 949-752-7606

email: info@avycon.com

social: @avycon_aivo

website: avycon.com