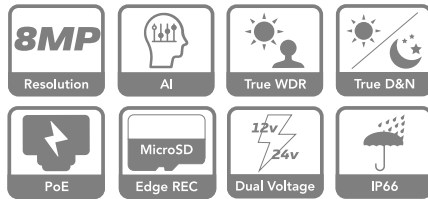


**AVC-PNN81X25LW**  
**8MP 25X NETWORK IR SPEED DOME CAMERA**



**Infinite Star™**



**8MP NETWORK IR SPEED DOME CAMERA**

8MP 25x IR NETWORK SPEED DOME, 12V&PoE

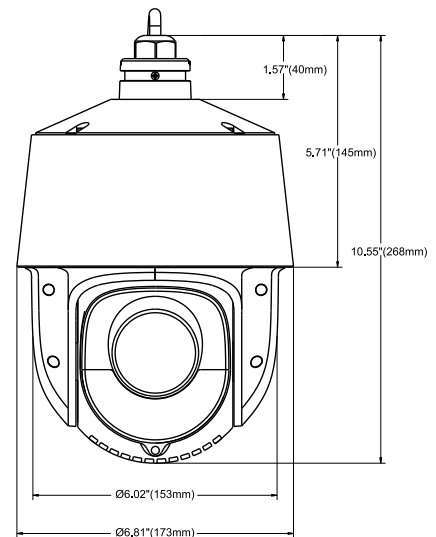
The AVC-PNN81X25LW camera is a 8MP Network Camera using Infinite-Star™ technology, with an ultra-low lux sensitivity, providing crisp color images of the environment even at night. Featuring powerful optical zoom and accurate pan/tilt/zoom performance, the camera provides a wide monitoring range and great detail. The camera delivers 8MP full high definition resolution at 25/30fps. The camera is equipped with smooth control, high quality image, and good protection, meeting compact size demands of video surveillance applications.

**FUNCTIONS**

- High Efficiency Video Coding (H.265)
- 1/2.8" 4MP Progressive Scan CMOS
- Up to 3840 x 2160 @30fps Resolution
- Min. illumination: Color: 0.01 Lux @ (F1.65, AGC ON) / B/W: 0.002 Lux @ (F1.65, AGC ON) / 0 Lux with IR
- 25x Optical Zoom
- WDR, HLC, BLC, 3D DNR, Defog
- Up to 150m smart IR distance
- PoE+ and DC12V
- IP66
- Support H.265+/H.265 Video Compression
- Superior Image Quality
- Working Environment and Interoperability

**DIMENSIONS**

Unit : inch (mm)



**OPTIONAL ACCESSORIES**



AVM-PT-WMT-N20  
WALL MOUNT



AVM-PT-CMT-N20  
CEILING MOUNT



AVM-PT-RMT-N20  
IN-CEILING MOUNT



AVM-P-PMT  
POLE MOUNT



AVM-P-CMT  
CORNER MOUNT



**AVC-PNN81X25LW**  
**8MP 25X NETWORK IR SPEED DOME CAMERA**

**SPECIFICATIONS**

CAMERA	
Image Sensor	1 / 2.8" Progressive Scan CMOS
Min. Illumination	Color: 0.01lux @F1.65, AGC ON; B/W: 0.002lux @F1.65, AGC ON, 0 lux with IR
White Balance	Auto/Manual/ATW (Auto-tracking WB)/Indoor/Outdoor
S/N ratio	More than 52dB
Gain	Auto/Manual
Shutter Time	50Hz: 1/25s ~ 1/25,000s; 60Hz: 1/30s ~ 1/30,000s
Day&Night	Auto/Manual
Privacy Mask	4 Programmable Privacy Masks, up to 8 per request
Focus Mode	Auto/Manual
3D DNR	Auto/Manual
LENS	
Focal Length	0.1"-4.7"(4.8-120mm) 25x Optical Zoom
Zoom Speed	Approx. 3.6s (Optical Lens, Wide-TELE)
Field of View	Horizontal field of view: 57.6° to 2.4° (Wide-TELE) Vertical field of view: 33.4° to 1.4° (Wide-TELE) Diagonal field of view: 64.5° to 2.9° (Wide-TELE)
Working Distance	Wide:1.0m~INF, Tele: 1.5m~INF
Aperture Range	F1.65 to F3.8 (Wide-TELE)
IR	
IR Distance	492ft (150m)
Smart IR	Support
PTZ	
Pan Range	360° Endless
Pan Speed	Configurable, from 0.1°/s to 200°/s; Preset Speed: 240°/s
Tilt Range	From -10° to 90° (Auto-Flip)
Tilt Speed	Configurable, from 0.1°/s to 200°/s; Preset speed: 240°/s
Proportional Zoom	Support
Preset	360
Cruise	8 cruises, up to 16 presets for each cruises
Trace	4 traces, record time over 3 minutes for each trace
Power-off Memory	Support
Action Mode	Preset/Cruise/Trace/Auto Scan/Random Scan
3D Positioning	Support
PTZ Position Display	Support
Scheduled Task	Preset/Cruise/Trace/Random Scan/Boundary Scanning/Dome Reboot
COMPRESSION STANDARD	
Video Compression	H.265+/H.265/H.264+/H.264/MJPEG
H.264 Type	H.264/AVC codec BP/MP/HP, Level 5.1
H.265 Type	H.265/HEVC codec MP, level 5.0
Video Bit Rate	64Kbps to 16Mbps
Audio Compression	G.711 A/U
SMART FEATURES	
Basic Event	Motion Detection, Video Tampering Detection, Exception
Smart Event	Object Removal Detection, Intrusion Detection, Line Crossing Detection, People Intrusion and People Counting
Smart Record	Face Recognize, Vehicle Detection and tracking, People and Vehicle Detection
IMAGE	
Max. Resolution	3840 x 2160
Main Stream	50Hz:25fps: 3840×2160,2560×1440,1920×1080,1280×960,1280×720 / 60Hz:30fps:3840×2160,2560×1440,1920×1080,1280×960,1280×720
Sub Stream	50Hz:25fps: (704 × 576, 640 × 480, 352 × 288) ; 60Hz:30fps (704 × 480, 640 × 480, 352 × 240)
Third Stream	50Hz:25fps (1920 × 1080, 1280 × 960, 1280 × 720, 704 × 576, 640 × 480, 352 × 288) 60Hz:30fps (1920 × 1080, 1280 × 960, 1280 × 720, 704 × 480, 640 × 480, 352 × 240)
Image Enhancement	WDR/HLC/BLC/3D DNR/Defog/Regional Exposure/Regional Focus
NETWORK	
Network Storage	Built-in micro SD card slot, up to 256GB
Protocols	HTTP, HTTPS, IPv4/IPv6, 802.1x, QoS, FTP, SMTP, UPnP, SNMP, DNS, DDNS, NTP, RTSP, RTCP, RTP, TCP/IP, UDP, IGMP, ICMP, DHCP, PPPoE
API	ONVIF, Support TVT API and Third-Party Management Platform
Simultaneous Live View	Up to 6 channels
User/Host	Up to 16 users, 3 levels: Administrator, Advanced User and Normal User
Security Measures	User authentication (ID and PW), Host authentication (MAC address); HTTPS encryption, IEEE802.1x port-based network access control; IP address filtering
Client	VMS-9000 Client
Web Browser	IE8-11, Chrome 31.0 to 44, Firefox 30.0 to 51
INTERFACE	
Network Interface	1 RJ45 10M/100M Adaptive Ethernet ,Support PoE+
IMAGE	
Power	DC12V±25%,3000mA ,PoE+ (802.3.at), max 23W include IR ON+PTZ working
Working Environment	-40°C~60°C(-40°F~140°F), ≤ 90% RH
Protection Level	IP 66 Standard, 6000V Lightning Protection, Surge Protection and Voltage Transient Protection
Material	Aluminum Alloy + Plastic/GF15%
Dimensions	Φ6.8" × 10.55"(Φ 173mm × 268mm)
Weight	Approx. 2.1KG (4.63lb)
DORI	
Definition	Detect: 25 px/m, Observe: 63 px/m, Recognize:125 px/m, Identify: 250 px/m
Distance(Tele)	Detect: 10,859ft (3310m), Observe: 4307.7ft (1313m), Recognize: 2171.9ft (662m), Identify: 1085.9ft (331m)



Copyright © AVYCON. All rights reserved. Specifications and pricing are subject to change without notice.

phone: 949-752-7606  
 email: info@avycon.com  
 social: @avycon\_aivo  
 website: avycon.com