

AVC-PT91X25LW

2MP 25X INFINITESTAR IR PTZ HD-TVI CAMERA



2MP INFINITESTAR IR PTZ HD-TVI CAMERA

2MP 25x IR PTZ HD-TVI CAMERA

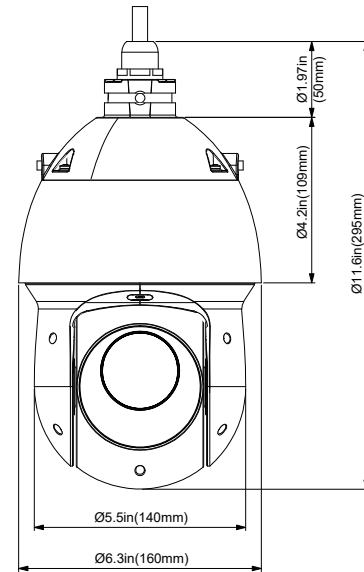
Featuring with powerful optical zoom and accurate pan/tilt/zoom performance, the AVC-PT91X25LW series PTZ camera can provide large monitoring range and great detail. The camera delivers 1080P resolution at 25/30 fps, with 25x optical zoom, and has very excellent low light performance due to adopting the latest InfiStar technology. AVC-PT91X25LW series PTZ is equipped with smooth control, high quality image and good protection, which make it can meet small and medium size of video surveillance applications.

FUNCTIONS

- 1/2.8" 2MP InfiStar CMOS
- Up to 1920 x 1080@30fps Resolution
- Min. illumination: Color: 0.005 Lux@(F1.6, IR ON)
- Powerful 25x Optical Zoom
- 120dB True WDR, 3D DNR
- Up to 328ft(100m) smart IR distance
- IP66 Ingress Protection rating
- Suitable for Harsh Conditions for Outdoor Application
- Working Environment and Interoperability

DIMENSIONS

Unit : inch (mm)



OPTIONAL ACCESSORIES



AVM-JB-PT-T25
JUNCTION BOX



AVM-PT-CMT-T25
CEILING MOUNT



AVM-PT-PMT-T25
POLE MOUNT



AVYCON

AVC-PT91X25LW
2MP 25X INFINITESTAR IR PTZ HD-TVI CAMERA

SPECIFICATIONS

CAMERA	
Image Sensor	1 / 2.8" InfiniteStar CMOS
Min. Illumination	Color: 0.005Lux@F1.6; 0Lux@F1.6 (IR on)
White Balance	Auto/Manual/Indoor/Outdoor/Fluorescent Lamp/Sodium Lamp
S/N ratio	More than 55dB
Gain Control	Auto/Manual
Shutter Speed	60Hz: 1/1 s ~ 1/30,000s
Day&Night	Auto(ICR) / Color / B/W
Privacy Mask	Up to 24 Areas
Focus Mode	Auto/Manual
WDR	True WDR
IR Distance	Distance up to 328ft (100m)
LENS	
Focal Length	0.2"-4.7"(4.8 -120mm) 25x Optical Zoom, 16x Digital Zoom
Zoom Speed	Approx. 3.5s (Optical Lens, Wide-TELE)
Field of View	H: 59.2° ~ 2.4°
Working Distance	3.93"~39.4"(100mm~ 1000mm)
Aperture Range	F1.6 (Wide) to F4.4 (TELE)
PTZ	
Pan Range	Pan: 0° ~ 360° endless; Tilt: -15° ~ 90°, auto flip 180°
Manual Control Speed	Pan: 0.1° ~200° /s; Tilt: 0.1° ~120° /s
Preset Speed	Pan: 240° /s; Tilt: 200° /s
Preset	300
PTZ Mode	5 Pattern, 8 Tour, Auto Pan ,Auto Scan
Speed Setup	Human-oriented focal Length/ speed adaptation
Power up Action	Auto restore to previous PTZ and lens status after power failure
Idle Motion	Activate Preset/ Scan/ Tour/ Pattern if there is no command in the specified period
Protocol	DH-SD, Pelco-P/D (Auto recognition)
VIDEO	
Max. Resolution	1080P(1920×1080)/720P(1280×720)
Main Stream	25/30fps@1080P, 25/30/50/60fps@720P
Video Output	1-channel BNC high definition video output/ CVBS standard definition video output (switchable)
OSD Menu	Support
Backlight Compensation	BLC / HLC / WDR (120dB)
White Balance	Auto, ATW, Indoor, Outdoor, Manual
INTERFACE	
Video Interface	1
Audio Interface	1 Channel In
RS485	1
Alarm I/O	2/1
GENERAL	
Power	DC 12V/3A
Working Environment	-40°C ~ 70°C (-40°F ~ +158°F) / Less than 90% RH
Protection Level	IP 66 Standard
Material	Metal
Dimensions	Φ6.3" × 11.6"(Φ 160mm × 295mm)
Weight	Approx. 6.61lb(3kg)
DORI	
Distance(Tele)	Detect: 5259ft (1613m), Observe: 2119ft (646m), Recognize: 1060ft (323m), Identify: 528ft (161m)



AVYCON[®]

Copyright © AVYCON. All rights reserved. Specifications and pricing are subject to change without notice.

phone: 949-752-7606

email: info@avycon.com

social: @avycon_aivo

website: avycon.com