

**AVC-TCE81F28**  
**8MP INFINITECOLOR TURRET CAMERA**



**InfiniteColor**  
**(Full Color Technology)**



**8MP INFINITECOLOR TURRET CAMERA**

8MP INFINITECOLOR TURRET CAMERA

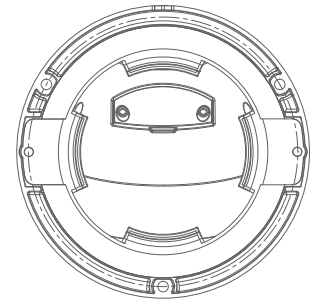
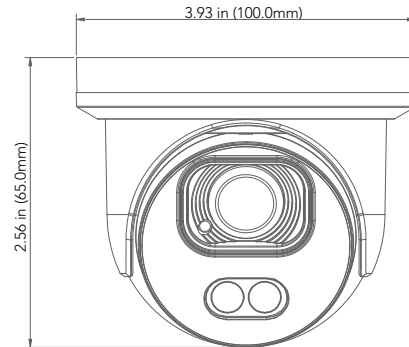
Our Second Generation HD-TVI Series continues providing the quality expected from the AVYCON brand. This 8MP camera includes an upgraded Smart IR LED array, new DIP switch design for easily changing video formats (HD-TVI, CVI, AHD and Analog), and a sleek new magnetic ring designed to hide all mounting screws from view and create a seamless body look. With the newest generation chipset and board design, we have also increased power efficiency with a possible 20% savings in consumption. This camera also includes AoC(Audio over Coaxial) up to 22.9ft and a 2.8mm fixed Lens with Autofocus capabilities that can be controlled through the DVR . Also standard with this series is Digital NR, AGC, DWDR, and BLC capabilities along with IP67 outdoor rating.

**FUNCTIONS**

- 8MP ( 3840 x 2160 ) @ 15fps
- Max. Resolution: 3840 x 2160
- True Day & Night ICR
- Up to 98 ft. IR Illumination
- Fixed 2.8mm Lens
- 2D DNR, Digital WDR, HLC, BLC
- AoC(Audio over Coaxial) up to 22.9ft
- Supports Remote Access with Windows, macOS, iOS and Android
- Operating Temperature: -22°F - 122°F
- DC12V
- NDA A Compliant

**DIMENSIONS**

Unit : inch (mm)



**OPTIONAL ACCESSORIES**



AVM-JB-BE-S1(-G)  
 JUNCTION BOX



AVM-CWM-EV-S1  
 WALL MOUNT



AVM-HWM-E-S1  
 WALL MOUNT WITH  
 JUNCTION BOX



AVM-HCM-E-S1  
 CEILING MOUNT WITH  
 JUNCTION BOX



AVM-CRM-A1  
 CORNER MOUNT



AVM-POM-A1  
 POLE MOUNT



**AVYCON**

**AVC-TCE81F28**  
**8MP INFINITECOLOR TURRET CAMERA**

**SPECIFICATIONS**

CAMERA	
Image Sensor	1/2.7" Progressive Scan CMOS
Resolution	8MP
Image Size	3840 x 2160
Video Output	1-channel BNC Video Output
Image System	PAL / NTSC
Electronic Shutter Speed	Auto
IR Distance	Up to 98ft.
Video Formats	HD-TVI / AHD / CVI / CVBS(Analog)
Frame Rate	HD-TVI / AHD / CVI : 15 FPS CVBS Analog: 960H
Min. Illumination	0.05lux@F1.2(AGC ON),0Lux with IR ON
Lens	fixed 2.8mm Lens
Angular Field of View	H:109.7° / V:57.6° / D:131.0°
Lens Mount	φ14mm
S/N Ratio	36dB
Function Control	OSD, Control over Coax (UTC)
IMAGE	
Day & Night	Color / Ext / BW ( Black and White)
Digital WDR	Yes
Digital Noise Reduction	Yes (2D DNR)
Auto Gain Control (AGC)	Yes
Auto White Balance (AWB)	Yes
Backlight Compensation (BLC)	No
Edge Brightness Compensation	Yes
Defog	Yes
HLC	Yes
Sharpness	Yes
Mirror Image	Yes
Smart IR (Anti-SAT)	Yes
Image Setting	Yes
Defect Correction	Auto / Manual
GENERAL	
Audio	Audio over coaxial
Audio Range	22.9ft(7m)
Angle Adjustment	Any Angle
Input Voltage	DC 12V (±10%)
Power Consumption	IR OFF ≤0.8W, IR ON ≤4W
Ingress Protection	IP67
Working Temperature	-22°~131° F (-30°~55° Celcius)
Dimensions	3.93" x 2.56" (100.0mm x 65.0mm)



**AVYCON**<sup>®</sup>

Copyright © AVYCON. All rights reserved. Specifications and pricing are subject to change without notice.

phone: 949-752-7606  
 email: info@avycon.com  
 social: @avycon\_aivo  
 website: avycon.com