

AVC-TE81F28
8MP HD-TVI FIXED TURRET CAMERA



■ Grey Available:
 AVC-TE81F28-G



8MP HD-TVI FIXED TURRET CAMERA

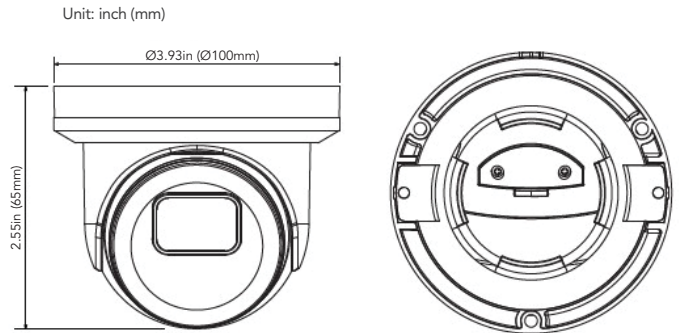
8MP HD-TVI FIXED TURRET CAMERA WITH HD OVER COAX FEATURES

This camera offers a cost effective solution for our cost-conscious consumers. This camera features 4K signal in HD-TVI / CVI / AHD / CVBS (Analog) formats, as well as CoC (Control over Coax) menu control. This model also has IR illumination up to 66ft. and an IP67 outdoor rating. The ability to adjust image setting from the OSD menu allows for different environmental conditions like True Day / Night, Digital NR, AGC, WDR, BLC, and Defog. This camera also features a magnetic ring cover for extra secure installation and protection. This camera also features a range of mounts to choose from for various mounting options.

FUNCTIONS

- 8MP (3840 x 2160)
- Fixed 2.8mm Lens
- HD-TVI / CVI / AHD / CVBS (Analog)
- Easy-to-Use DIP Switch to Change Formats
- True Day / Night
- Smart IR Illumination Up to 66ft.
- Digital NR
- DWDR
- IP67 Outdoor Rating
- DC 12V (5W Consumption)
- NDA Compliant

DIMENSIONS



OPTIONAL ACCESSORIES



AVM-JB-BE-S1
 JUNCTION BOX



AVM-CWM-EV-S1
 COMPACT WALL MOUNT



AVM-HWM-E-S1
 HEAVY-DUTY WALL MOUNT



AVM-HCM-E-S1
 CEILING MOUNT



AVM-CRM-A1
 CORNER MOUNT



AVM-POM-A1
 POLE MOUNT

AVC-TE81F28

8MP HD-TVI FIXED TURRET CAMERA

SPECIFICATIONS

CAMERA	
Image Sensor	1/2.7" Progressive Scan CMOS
Resolution	8MP
Image Size	3840 x 2160
Video Output	1-channel BNC Video Output
Image System	PAL / NTSC
Electronic Shutter	1/15s to 1/50,000s
IR Distance	Up to 66ft.
Video Formats	HD-TVI / ADH / CVI / CVBS (Analog)
Frame Rate	HD-TVI / ADH / CVI / CVBS (Analog): 15 FPS CVBS Analog: 30 FPS
Min. Illumination	0.05lux@F1.2(AGC ON),0Lux with IR ON
Lens	Fixed 2.8mm Lens
Lens Mount	M12
Horizontal Field of View	105.41°
S/N Ratio	36dB
Function Control	OSD, Control over Coax (UTC)
IMAGE	
Day & Night	EXT / Auto / Color / BW (Black and White)
Digital WDR	Yes
Digital NR	Yes (3D DNR)
Auto Gain Control (AGC)	Yes
Auto White Balance (AWB)	Yes
Backlight Compensation (BLC)	Yes
Edge Brightness Compensation	Yes
Defog	No
HLC	No
Sharpness	Yes
Mirror Image	Yes
Smart IR (Anti-SAT)	Yes
Image Setting	Yes
Defect Correction	Auto / Manual
GENERAL	
Angle Adjustment	Any Angle
Input Voltage	DC 12V (±10%)
Power Consumption	Maximum 5W
Ingress Protection	IP67
Working Environment	-22F - 131F (-30°~55° Celcius)
Dimensions	Ø3.93" x 2.55" (Ø100mm x 65mm)



AVYCON[®]

Copyright © AVYCON. All rights reserved. Specifications and pricing are subject to change without notice.

phone: 949-752-7606

email: info@avycon.com

social: @avycon_aivo

website: avycon.com