

AVM-DUAL-WMT-L1

WALL MOUNT



AVM-DUAL-WMT-L1 WALL MOUNT

WALL MOUNT FOR DUAL CAMERA JUNCTION BOX; AVM-JB-DUAL-UL1

The AVM-DUAL-WMT-L1 wall mount is designed to house and protect cable connections when used with AVM-JB-DUAL-UL1 Dual Camera Junction Box and can withstand temperature ranges from -40°F~140°F.

FUNCTIONS

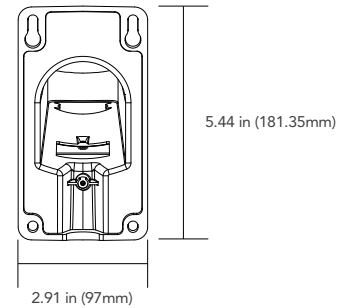
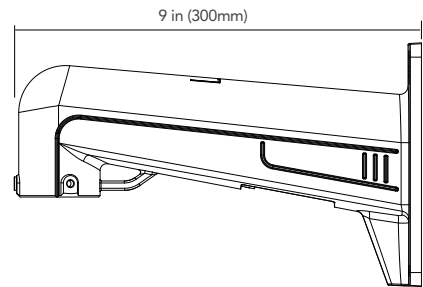
- Aluminum Alloy Material with Surface Spray Treatment
- Waterproof Design & Allows for clean Cable Setup
- Available for Wall Mount
- Indoor / Outdoor Use

SPECIFICATIONS

GENERAL	
Model	AVM-DUAL-WMT-L1
Material	Aluminum Alloy
Color	White
Working Temperature	-40°C~60°C (-40°F~140°F)
Working Humidity	10~90% (Non-Condensing)
Ingress Protection	IP66
Weight	2.2lbs (1KG)
Load Bearing	22lbs (10KG)
Dimensions	9" x 5.44" x 2.91" (300mm x 181.35mm x 97mm)

DIMENSIONS

Unit : inch (mm)



AVYCON[®]