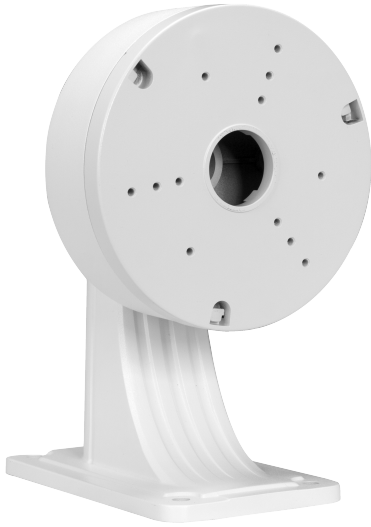


AVM-HWM-V-L1

HEAVY DUTY WALL MOUNT WITH JUNCTION BOX FOR VF/MOTORIZED LENS LARGE VANDAL DOME CAMERAS



AVM-HWM-V-L1 WALL MOUNT WITH JUNCTION BOX

HEAVY DUTY WALL MOUNT WITH JUNCTION BOX FOR VARIFOCAL LENS LARGE VANDAL DOME CAMERAS

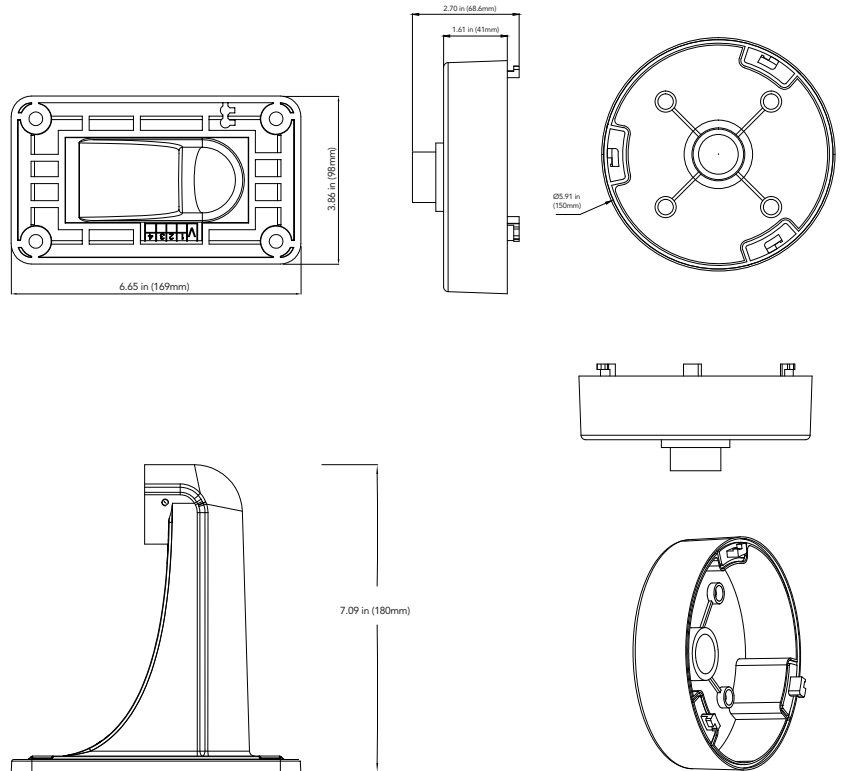
The AVM-HWM-V-L1 is a heavy duty ceiling mount with a junction box designed for use with our Varifocal/Motorized Lens Large Vandal Dome Cameras. Constructed with Aluminum alloy material with surface spray treatment, this wall mount allows for the collection of camera cables.

FUNCTIONS

- Aluminum alloy material with surface spray treatment
- Wall mounting bracket

DIMENSIONS

Unit : inch (mm)



SPECIFICATIONS

GENERAL

Material	Aluminum alloy
Color	White
Working Temperature	-40°C~60°C (-40°F~140°F)
Working Humidity	10~90% (Non-Condensing)
Packing Size	mount: (180mm x 169mm x 98mm) junction box: (150mm x 68.6mm)



AVYCON[®]

Copyright © AVYCON. All rights reserved. Specifications and pricing are subject to change without notice.