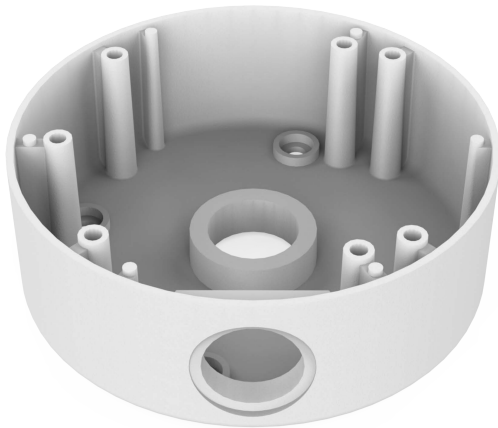


# AVM-JB-F-F1

## JUNCTION BOX FOR FISHEYE PANORAMIC VIEW CAMERAS



## AVM-JB-F-F1 JUNCTION BOX

### JUNCTION BOX FOR FISHEYE PANORAMIC VIEW CAMERAS

The AVM-JB-F-F1 is a junction box designed for use with our Fisheye Panoramic View Cameras. Constructed with Aluminum alloy material with surface spray treatment and water-proof design, this junction box allows for the installation of our fisheye cameras with the cables collected and hidden out of sight. The junction box is available for wall or ceiling mounting.

## FUNCTIONS

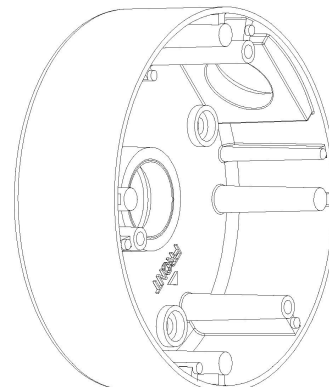
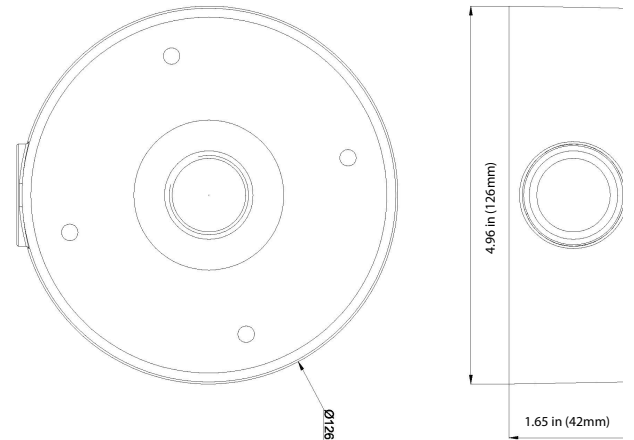
- Aluminum alloy material with surface spray treatment
- Camera cables can be collected and hidden
- Bottom inlet and side inlet
- Available for wall or ceiling mounting

## SPECIFICATIONS

GENERAL	
Material	Aluminum alloy
Color	white
Working Temperature	-40°C~60°C (-40°F~140°F)
Working Humidity	10~90% (Non-Condensing)
Ingress Protection	IP68
Dimensions	4.96" (126mm) x 1.65" (42mm)

## DIMENSIONS

Unit : inch (mm)



**AVYCON**<sup>®</sup>

Copyright © AVYCON. All rights reserved. Specifications and pricing are subject to change without notice.