

# AVM-JB-V-S1

## JUNCTION BOX FOR FIXED LENS SMALL VANDAL DOME CAMERAS

### AVM-JB-V-S1 JUNCTION BOX

JUNCTION BOX FOR FIXED LENS SMALL VANDAL DOME CAMERAS

The AVM-JB-V-S1 is a junction box designed for use with our Fixed Lens Small Vandal Dome Cameras. Constructed with Aluminum alloy material with surface spray treatment and water-proof design, this junction box allows for the installation of our small fixed cameras with the cables collected and hidden out of sight. The junction box is available for wall or ceiling mounting.



### FUNCTIONS

- Aluminum alloy material with surface spray treatment
- Camera cables can be collected and hidden
- Bottom inlet and side inlet
- Available for wall or ceiling mounting

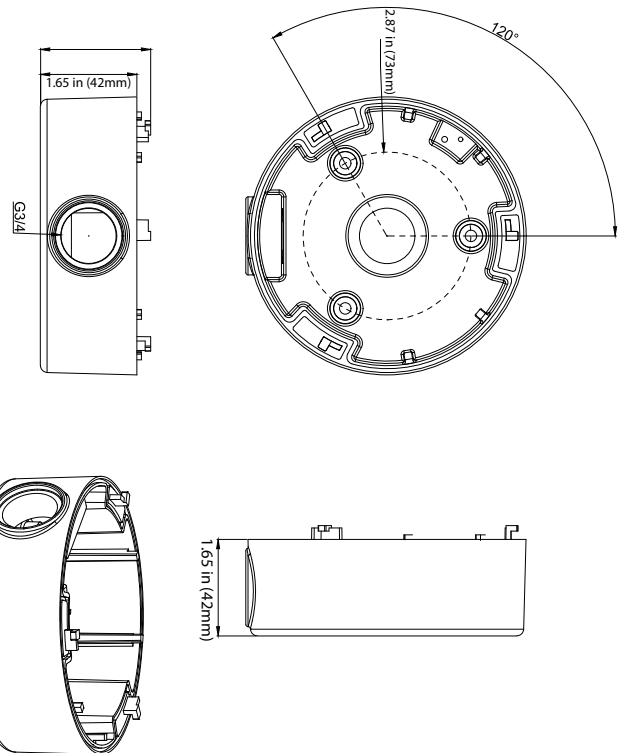
### SPECIFICATIONS

#### GENERAL

Material	Aluminum alloy
Color	white
Working Temperature	-40°C~60°C (-40°F~140°F)
Working Humidity	10~90% (Non-Condensing)
Ingress Protection	IP54
Dimensions	4.72" (120mm) x 1.89" (47.9mm)

### DIMENSIONS

Unit : inch (mm)



**AVYCON**<sup>®</sup>

Copyright © AVYCON. All rights reserved. Specifications and pricing are subject to change without notice.