



# L-Series Speakers and L-Series with LED Speaker Strobes

*System Sensor L-Series and L-Series with LED audible visible notification products are rich with features guaranteed to cut installation times and maximize profits with lower current draw and modern aesthetics.*



## Features

- LED technology provides lower current draw
- Digital Volt Meter (DVM) diagnostic test points for Speaker Strobes
- Common aesthetics across the L-Series platform
- Tamper-resistant construction
- Field-selectable candela settings on wall units: 15, 30, 75, 95, 110, 135, and 185
- Field-selectable candela settings on ceiling units: 15, 30, 75, 95, 115, 150, and 177
- Rotary switches for candela, speaker voltage (25 and 70.7 Vrms) and power settings (1/4, 1/2, 1, and 2 watts)
- Mounting plate provides plug-in design for easier installation and shorting springs to check wiring continuity
- Electrically compatible with legacy SpectrAlert, SpectrAlert Advance and L-series devices at 16-33 VDC
- Synchronization through use of UL approved power supplies that support System Sensor Sync protocol or System Sensor MDL Sync Module
- Speakers and Speaker strobes listed for wall or ceiling use
- No extension ring required
- Speakers offer high fidelity and high volume sound output
- 520 Hz capable with compatible Fire alarm control panel (FACP)

## The System Sensor L-Series and L-Series with LED platform

offers the most versatile and easy-to-use line of speakers and speaker strobes in the industry with lower current draw and modern aesthetics. LED lighting technology offers significantly lower current draw compared to older Xenon bulbs across a full candela range. This improves design flexibility for notification appliance circuits (NACs) while also reducing power supply requirements allowing for simpler and lower cost installations.

Flexible design options meet virtually any application requirement: wall or ceiling mount, red or white color choices, bezel kits for alternate markings and languages, and LED color lenses for distinctive visual signaling. In addition, installers can easily adapt devices using field selectable candela, using rotary switches.

The L-Series and L-Series with LED line is developed to simplify installation. All devices feature plug-in designs with minimal intrusion into the back box, making installations fast and foolproof while virtually eliminating costly and time-consuming ground faults. The universal mounting plate includes an onboard shorting spring, so installers can test wiring continuity before the device is installed.

The low harmonic distortion of the speaker offers high fidelity sound output while offering high volume sound output for use in high ambient noise applications.

In addition, the System Sensor L-Series with LED notification appliances offer a new diagnostic test point feature that allows you to measure device voltage with a digital voltage meter (DVM) without removing the appliance from the wall or ceiling. The DVM test points are discreetly located on the face of the notification appliance which enable faster troubleshooting and end of line (EOL) voltage checks while greatly reducing the risk of misplacing or damaging appliances during troubleshooting.

## Agency Listings



Speaker-Strobes:  
S4048



Speakers:  
S4048



Speakers:  
S4048



3057383  
3057493



7125-1653-0533  
7135-1653-0532  
7320-1653-0505

## Product Specifications

| Physical / Electrical Specifications   |                                  |
|--|----------------------------------|
| Standard Operating Temperature         | 32°F to 120°F (0°C to 49°C)      |
| Humidity Range                         | 10 to 93% non-condensing         |
| Power                                  | ¼, ½, 1, 2 Watts                 |
| Frequency Range                        | 400 to 4000 Hz                   |
| Maximum Supervisory Voltage (Speakers) | 50 VDC                           |
| Maximum Supervisory Voltage (Strobe)   | 33 VDC                           |
| Strobe Flash Rate                      | 1 Flash Per Second               |
| Nominal Voltages, Speakers             | 25 Volts or 70.7 Volts (nominal) |
| Nominal Voltage, Strobe                | Regulated 24 VDC                 |
| Operating Voltage Range, Strobe        | 16 to 33 VDC                     |
| Input Terminal Wire Gauge              | 12 to 18 AWG                     |

| Dimensions  |   |
|---|---|
| Wall Speaker Strobes (including lens)   | 6.5"L x 5.00" W x 2.3" D (165.1mm L x 127mm W x 58.4mm D)     |
| Wall Speaker Strobes (including lens) with SBBSPRL/WL Surface Mount Back Box  | 6.62" L x 5.12" W x 4.55" D (168.1mm L x 130mm W x 115.5mm D) |
| Ceiling Speaker Strobes (including lens)                                      | 6.8" diameter x 2.33" D (172.7mm x 59.2mm)                    |
| Ceiling Speaker Strobes (including lens) with SBBCL/WL Surface Mount Back Box | 6.9" diameter x 4.83" D (176mm x 122.7mm)                     |
| Wall SPL Speakers   | 6.5"L x 5.00" W x 0.97" D (165.1mm L x 127mm W x 23mm D)      |
| Wall Speakers with SBBSPRL/WL Surface Mount Back Box                          | 6.62" L x 5.12" W x 3.2" W (168.1mm x 130mm x 81.2mm)         |
| Ceiling SPC Speakers  | 6.8" diameter x 1.0" D (173mm x 25mm)                         |
| Ceiling Speakers with SBBCL/WL Surface Mount Back Box                         | 6.9" diameter x 3.5" D (176mm x 89mm)                         |

NOTE: SBBSPRL/WL Surface Mount Back Box intended for speaker strobes and speakers.

| Minimum Speaker Strobe Sound Output |     |     |     |     |
|-------------------------------------|-----|-----|-----|-----|
|                                     | ¼ W | ½ W | 1 W | 2 W |
| UL Reverberant (dBA @ 10 ft)        | 76  | 79  | 82  | 83  |
| UL Anechoic (dBA @ 10 ft)           | 76  | 79  | 82  | 83  |

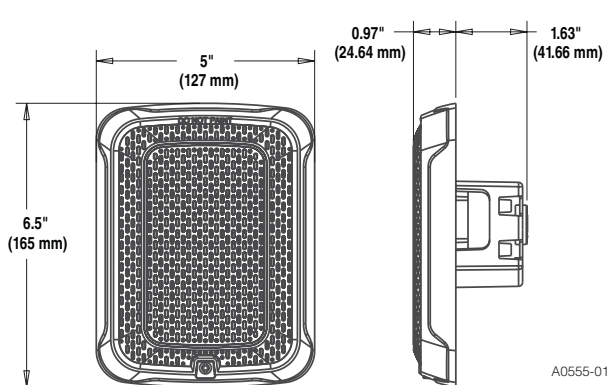
| Minimum Speaker Only Sound Output |     |     |     |     |
|-----------------------------------|-----|-----|-----|-----|
|                                   | ¼ W | ½ W | 1 W | 2 W |
| UL Reverberant (dBA @ 10 ft)      | 79  | 82  | 85  | 88  |
| UL Anechoic (dBA @ 10 ft)         | 79  | 82  | 85  | 88  |

## UL / ULC Maximum Strobe Current Draw (mA)

| UL/ULC Max Strobe Current Draw (mA RMS) |                   |
|---|-------------------|
| Candela Rating                          | 16 to 33 Volts DC |
| 15                                      | 18                |
| 30                                      | 22                |
| 75                                      | 70                |
| 95                                      | 75                |
| 110                                     | 85                |
| 115                                     | 90                |
| 135                                     | 105               |
| 150                                     | 110               |
| 177                                     | 115               |
| 185                                     | 120               |
| FCP*                                    | (future)          |

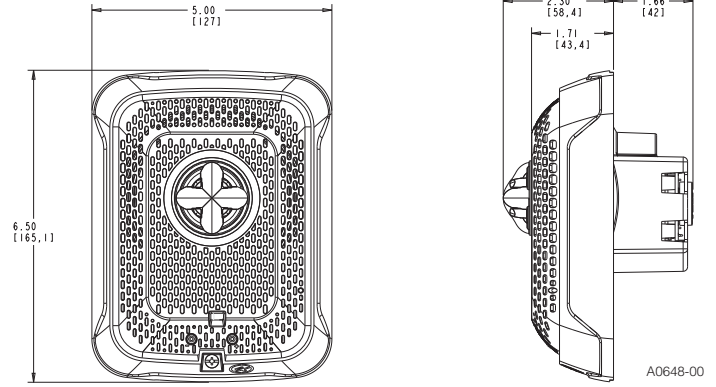
\*FCP Fire Control Panel, future use

## L-Series Dimensions



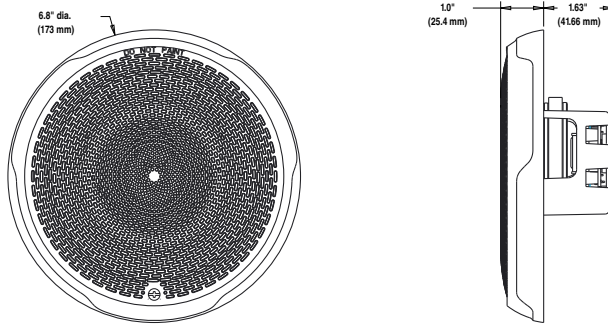
Wall-Mount Speaker

A0555-01



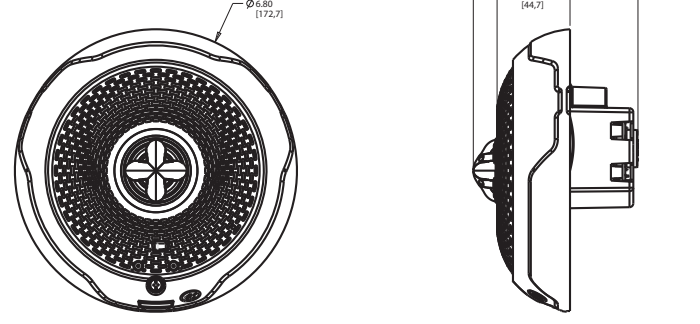
Wall-Mount Speaker Strobe

A0648-00



Ceiling-Mount Speaker

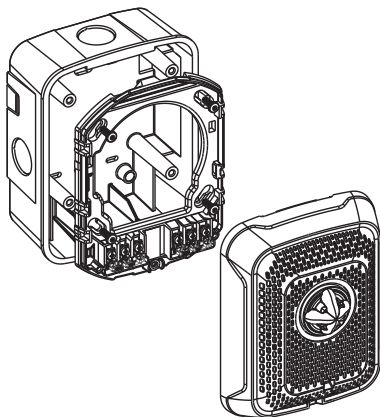
A0-----



Ceiling-Mount Speaker Strobe

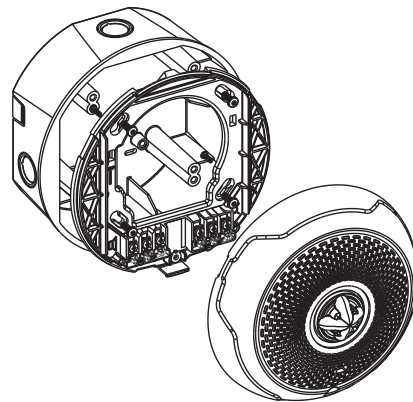
A0-----

## L-Series with LED: Surface Mount Back Box



A0649-00

Wall-Mount Speaker Strobe with  
SBBSPSRL/SBBSPWL Surface Mount Back Box



A0650-00

Ceiling-Mount Speaker Strobe with  
SBBCL/SBCWL Surface Mount Back Box

## L-Series with LED: Ordering Information

| Model                                    | Description  |
|--|--|
| <b>L-Series with LED Speaker Strobes</b> |  |
| SPSCRLED                                 | 2-WIRE, SPEAKER STROBE LED RED CEILING                       |
| SPSCRLED-B                               | 2-WIRE, SPEAKER STROBE LED RED CEILING BILINGUAL             |
| SPSCRLED-BT                              | 2-WIRE, SPEAKER STROBE LED RED CEILING BILINGUAL WITH TRIM   |
| SPSCWLED                                 | 2-WIRE, SPEAKER STROBE LED WHITE CEILING                     |
| SPSCWLED-B                               | 2-WIRE, SPEAKER STROBE LED WHITE CEILING BILINGUAL           |
| SPSCWLED-BT                              | 2-WIRE, SPEAKER STROBE LED WHITE CEILING BILINGUAL WITH TRIM |
| SPSCWLED-T                               | 2-WIRE, SPEAKER STROBE LED WHITE CEILING WITH TRIM           |
| SPSCWLED-TP                              | 2-WIRE, SPEAKER STROBE LED WHITE CEILING PLAIN WITH TRIM     |
| SPSCWLED-CLR-ALERT                       | 2-WIRE, SPEAKER STROBE LED WHITE CEILING ALERT CLEAR LENS    |
| SPSCWLED-P                               | 2-WIRE, SPEAKER STROBE LED WHITE CEILING PLAIN               |
| SPSCWLED-SP                              | 2-WIRE, SPEAKER STROBE LED WHITE CEILING FUEGO               |
| SPSRLED                                  | 2-WIRE, SPEAKER STROBE LED RED WALL                          |
| SPSRLED-B                                | 2-WIRE, SPEAKER STROBE LED RED WALL BILINGUAL                |
| SPSRLED-P                                | 2-WIRE, SPEAKER STROBE LED RED WALL PLAIN                    |
| SPSRLED-SP                               | 2-WIRE, SPEAKER STROBE LED RED WALL FUEGO                    |
| SPSWLED                                  | 2-WIRE, SPEAKER STROBE LED WHITE WALL                        |
| SPSWLED-B                                | 2-WIRE, SPEAKER STROBE LED WHITE WALL BILINGUAL              |
| SPSWLED-ALERT                            | 2-WIRE, SPEAKER STROBE LED WHITE WALL ALERT AMBER LENS       |
| SPSWLED-CLR-ALERT                        | 2-WIRE, SPEAKER STROBE LED WHITE WALL ALERT CLEAR LENS       |
| SPSWLED-P                                | 2-WIRE, SPEAKER STROBE LED WHITE WALL PLAIN                  |
| <b>L-Series Speaker</b>                  |  |
| <b>Description</b>                       |  |
| SPCRL                                    | 2-WIRE, SPEAKER RED CEILING                                  |
| SPCWL                                    | 2-WIRE, SPEAKER WHITE CEILING                                |
| SPRL                                     | 2-WIRE, SPEAKER RED WALL                                     |
| SPWL                                     | 2-WIRE, SPEAKER WHITE WALL                                   |
| <b>Accessories</b>                       |  |
| <b>Description</b>                       |  |
| SBBSPRL                                  | BACK BOX, WALL, SPEAKER, RED                                 |
| SBBSPWL                                  | BACK BOX, WALL, SPEAKER, WHITE                               |
| SBBCRL                                   | BACK BOX, CEILING, SPEAKER, RED                              |
| SBBCWL                                   | BACK BOX, CEILING, SPEAKER, WHITE                            |
| TR-2                                     | TRIM RING, WALL, RED   |
| TR-2W                                    | TRIM RING, WALL, WHITE                                       |
| TRC-2                                    | TRIM RING, CEILING, RED                                      |
| TRC-2W                                   | TRIM RING, CEILING, WHITE                                    |
| <b>LED Lenses</b>                        |  |
| <b>Description</b>                       |  |
| LENS-A3                                  | Lens LED Amber Wall/Ceiling                                  |
| LENS-B3                                  | Lens LED Blue Wall/Ceiling                                   |
| LENS-G3                                  | Lens LED Green Wall/Ceiling                                  |
| LENS-R3                                  | Lens LED Red Wall/Ceiling                                    |
| <b>Bezels</b>                            |  |
| <b>Description</b>                       |  |
| BZSPR                                    | WALL RED BEZEL KIT   |
| BZSPW                                    | WALL WHITE BEZEL KIT   |
| BZSPRC                                   | CEILING RED BEZEL KIT  |
| BZSPWC                                   | CEILING WHITE BEZEL KIT                                      |

### Notes for Bezels:

†Each bezel pack ships in a package of 5.

Add one of the following extensions for print/language options: -F (FIRE), -AL (ALERT), -EV (EVAC), -AG (AGENT), -P (Plain), -FR (FEU), -PG (FOGO), -SP (FUEGO), -SPE (FUEGO/FIRE)

Bezels for use only with Speaker Strobes



3825 Ohio Avenue • St. Charles, IL 60174 USA  
 Phone: 800-SENSOR2 • Fax: 630-377-6495  
[www.systemsensor.com](http://www.systemsensor.com)

3333 Unity Drive, Mississauga, ON L5L 3S6 Canada  
 Phone: 800-SENSOR2 • Fax: 905-812-0771  
[www.systemsensor.ca](http://www.systemsensor.ca)

System Sensor® is a registered trademark of Honeywell International, Inc.

©2024 System Sensor.  
 Product specifications subject to change without notice. Visit [systemsensor.com](http://systemsensor.com) for current product information, including the latest version of this data sheet.  
 AVDS-62174-A • 08/29/2024