

Mini Curtain Door Switch

WWW.GRISK.COM



4612 Series

- ◆ Adjustable travel
- ◆ Reversible probe assembly
 - ◆ Left or right installation
 - ◆ Install probe top or bottom
- ◆ Magnet mounts in door channel
- ◆ Mounting hardware included



Application Notes:

GRI has solved the curtain door installation problem with the 4612 Curtain Door Series. The 4612 resolves the left or right side installation problem and gives the installer the ability to be quite clever with making this switch and magnet suitable for the installation. GRI's unique probe design allows the switch to be inserted either from the top of the switch or the bottom allowing access determined by the application.

Part Numbers		
Up to 2" Gap	<u>Closed Loop</u>	<u>SPDT</u>
	4612	4613

Part Notes:

Replacement nylon cable clamps .437 x .525 x .375 x .140 (GRI part number 7548) and screws are socket set 1/4-20 x 3/8 knurled cup point (GRI part number 7704).

INSTALLATION APPLICATIONS

The GRI Mini Curtain Door Switch should be mounted as close to the edge of the curtain door as possible. Mount the switch on the door rail channel. Pay close attention to the operation of the contact and allow for adequate gap and travel for your particular installation.

Close the door. Temporarily mount the magnet with tape in one of the door indentations. Now slowly roll the door up completely to make sure the magnet does not hinder the door's operation in any way. Close the door while again checking for interference. Now you can adjust the magnet for travel and gap. You can alter how much opening distance is required to trigger the alarm by moving this powerful magnet closer to or further away from the switch. This flexible installation technique solves a host of problems ranging from the new, tightly tuned doors to loose fitting, worn or damaged doors. When the magnet is placed properly, permanently mount the magnet by using the plastic clamps and screws that are provided or use rivets.

Continued on reverse.

GEORGE RISK INDUSTRIES, INC.
G.R.I. PLAZA
KIMBALL, NE 69145
WWW.GRISK.COM



Made in U.S.A.

TOLL-FREE 1-800-445-5218
TOLL-FREE 1-800-523-1227
(308) 235-4645
FAX (308) 235-3561
E-MAIL: sales@grisk.com

Miniature Overhead Door Switch Set

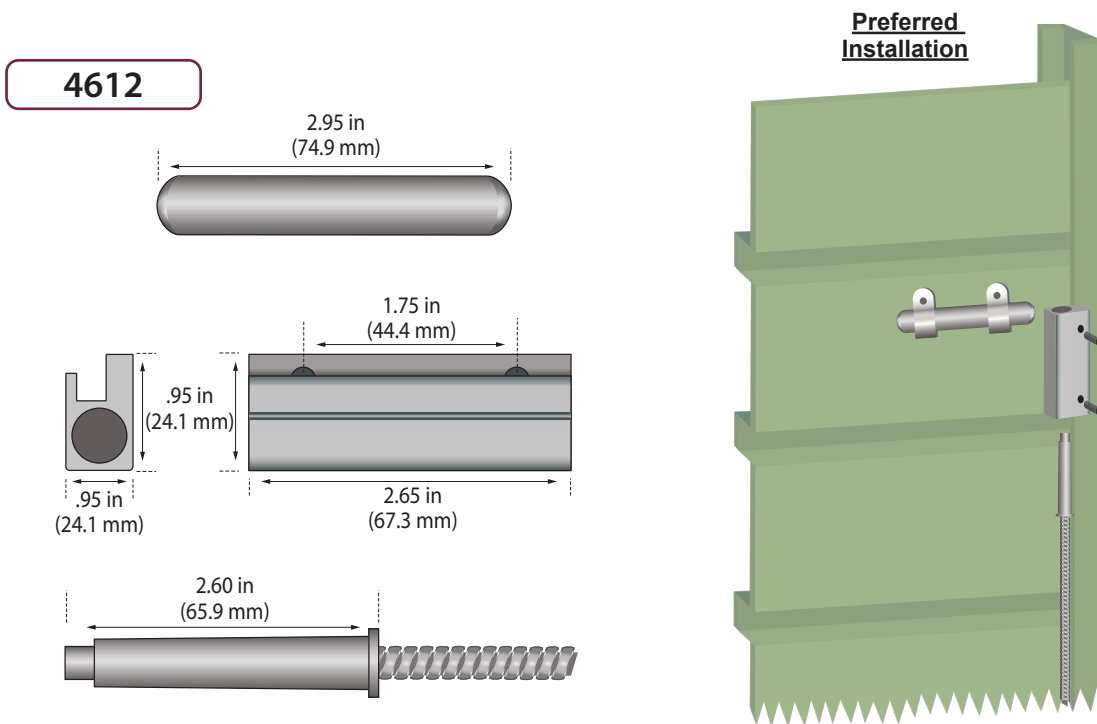
WWW.GRISK.COM



Continued from front.

Attach wires and test again by opening/closing the door. If cable guides are necessary GRI suggests using the empty switch case for the 4612, part number C-4612.

Important Tech Note: For best performance and operation of this product, the magnet must be positioned at one end or other of the switch. **Do NOT position the magnet in the middle of the switch.**



GRI PRODUCTS MEET OR EXCEED THESE MINIMUM GENERAL SPECIFICATIONS:

Part Number	Loop Type	Electrical Configuration	Reed Form	Max. Initial Contact Resistance (Ω)	Max. Contact Rating (W)	Max. Switching Voltage (VDC)	Max. Switching Current (A)
4612	Closed	N/O	A	.150	10	160	.400
4613	Open/Closed	SPDT	C	.140	5	175	.250

WARRANTY: Lifetime warranty against workmanship, material and factory defects.

GEORGE RISK INDUSTRIES, INC.
G.R.I. PLAZA
KIMBALL, NE 69145
WWW.GRISK.COM



TOLL-FREE 1-800-445-5218
TOLL-FREE 1-800-523-1227
(308) 235-4645
FAX (308) 235-3561
E-MAIL: sales@grisk.com