

# Channel Magnets

WWW.GRISK.COM



## MC-25

- ◆ The MC-25 is designed to be mounted in the track of aluminum windows & sliders
  - ◆ Rare Earth Magnet
  - ◆ Fits most aluminum tracks
  - ◆ Grippers hold magnet in place
- ◆ No drilling required
- ◆ 1/2" gap when paired with GRI's 3/8" press-to-fit contacts
- ◆ Arrow marks polarity; point arrow toward switch



MC-25



## GR1840

*UL pending*

- ◆ The GR1840 oval metal door neodymium channel magnet is designed to be mounted in the top channel of a metal entry/exit door
- ◆ The magnet can be rotated to fit either wide or narrow top channels



GR1840

## MC-180



- ◆ The MC-180 is designed to be mounted in the top channel of a metal door
- ◆ Legs of the magnet case can be clipped to accommodate a more shallow channel



MC-180

GEORGE RISK INDUSTRIES, INC.  
G.R.I. PLAZA  
KIMBALL, NE 69145  
WWW.GRISK.COM



Made in U.S.A.

C\_AC 8 Channel Magnets

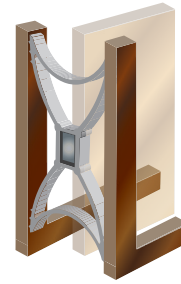
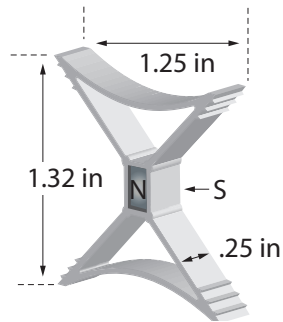
TOLL-FREE 1-800-445-5218  
TOLL-FREE 1-800-523-1227  
(308) 235-4645  
FAX (308) 235-3561  
E-MAIL: sales@grisk.com

# Channel Magnets

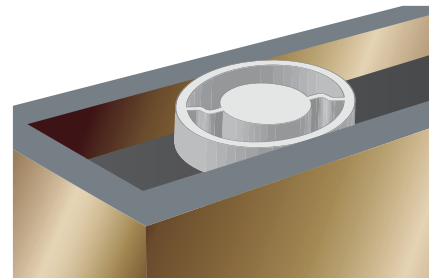
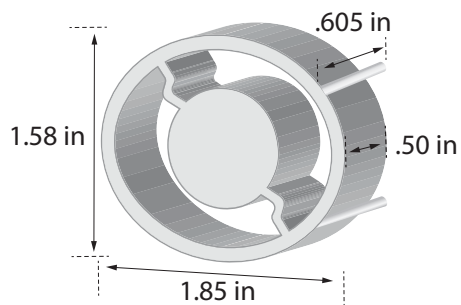
WWW.GRISK.COM



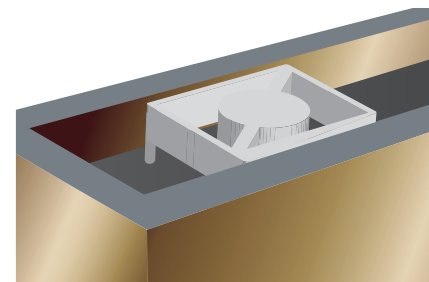
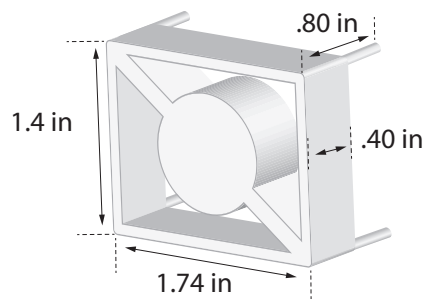
MC-25



GR1840



MC-180



GEORGE RISK INDUSTRIES, INC.  
G.R.I. PLAZA  
KIMBALL, NE 69145  
WWW.GRISK.COM



TOLL-FREE 1-800-445-5218  
TOLL-FREE 1-800-523-1227  
(308) 235-4645  
FAX (308) 235-3561  
E-MAIL: sales@grisk.com