

HDVR-MX1608-1U5MP-AI2

16 Ch 4K AI AVS, Analog, & IP 1U Standalone DVR



- H.265+/H.265 dual-stream video compression
- Supports 16 HD-AVS/AHD/TVI/CVBS/IP video inputs up to 5MP (including 16:9 aspect ratio)
- Supports up to 16+8 channels IP camera inputs, each channel up to 6MP
- 128 Mbps incoming bandwidth
- IVS Perimeter Protection, iMD (Intelligent Motion Detect) and Face Recognition (coax channels only)

System Overview

The HDVR-MX1608-1U5MP-AI2 in IC Realtime's AI line of HDVRs blends HD-over-coax support with our new Intelligent features. This hybrid recorder also supports H.264 and H.265 as well as new AI Coding compression. This allows for enhanced video quality while keeping the bit rate the same, allowing you have both storage efficiency and quality. The recorder also has the capability of supporting up to 16 AVS, TVI, AHD, or CVBS cameras 5MP or less (including 16:9 aspect ratio) as well as 8 (6MP or less) or 24 total IP cameras by disabling all of the coax inputs.

This recorder supports a suite of AI features including: up to IVS Perimeter Protection, up to 16 channels of Intelligent Motion Detect (iMD) and Real-Time Face Recognition with database. The HDVR also supports up to two 10 TB hard drives for increased storage options.

Functions

iMD (Intelligent Motion Detect)

This is an upgraded version of motion detection currently known as Intelligent Motion Detection (iMD). The upgraded Plus version greatly improves alarm accuracy by pre-loading a deep learning algorithm that recognizes people and vehicles. Motion detection alerts containing a human and/or vehicle intrusion event are now possible with up to 95% accuracy. Eliminate false alarms, save time and keep stress levels low knowing you're protected.

Smart H.265+

Smart H.265+ is the optimized implementation of the H.265 codec that uses a scene-adaptive encoding strategy, dynamic GOP, dynamic ROI, flexible multi-frame reference structure and intelligent noise reduction to deliver high-quality video without straining the network. Smart H.265+ technology reduces bit rate and storage requirements by up to 70% when compared to standard H.265 video compression.

Real-Time Face Recognition

This feature works with live video, historic footage, and snapshots. It allows users to identify facial attributes include gender, age, and expression of emotion. Additional characteristics can be applied such as glasses, mustache, face or mouth mask, and beard. Metadata can also be used to identify these characteristics. Enhanced features allow the user to import new facial images and catalog recorded or live view faces into a database for future alerts. Users are further able to create numerous lists and catalog facial images corresponding to those named lists. This allows for precise notification via email, text and push notifications via SmartICRSS PRO app. (Real-Time Facial Detection gives users the flexibility to analyze target feature while streaming live video or viewing history or snapshots. Importing facial images gives users full functionality and notification by retaining and cataloging faces.)

Technical Specification

System

| | |
|------------------|--------------------------|
| Main Processor | Embedded Processor |
| Operating System | Embedded LINUX (ICR 4.0) |

Video

| | |
|--------------------|--|
| Analog Video Input | 16 |
| IP Video Input | 16+8 Channel, each channel up to 6MP |
| Throughput | 128Mbps |
| AVS Resolution | 5MP (Supports 16:9 Aspect ratio), 4MP, 1080P@25/30fps, 720P@50/60fps, 720P@25/30fps |
| AHD Resolution | 5MP, 4MP, 3MP, 1080P@25/30, 720P@25/30fps |
| TVI Resolution | 5MP, 4MP, 3MP, 1080P@25/30, 720P@25/30fps |
| CVBS Standard | NTSC/ PAL |
| Video Compression | AI Coding/H.265+/H.265/H.264+/H.264 |
| Image Resolution | 5M-N, 4M-N, 1080P, 1080N, 720P, 960H, D1, CIF |
| Record Rate | Main stream: All channel 5M-N (1 fps~10 fps); 4M-N/1080p (1 fps~15 fps); 1080N/720p/960H/D1/CIF (1 fps~25/30 fps) Sub stream: D1/CIF (1fps~15fps) |
| Frame Rate | NTSC: 1 fps~30 fps PAL: 1 fps~25 fps |
| Bit Rate | 32Kbps~6144Kbps Per Channel |
| Record Mode | Manual, Schedule (General, Continuous), MD (Video detection: Motion Detection, Video Loss, Tampering), Alarm, Stop |
| Record Interval | 1 ~ 60 min (default: 60 min), Pre-record: 1 ~ 30 sec, Post-record: 10 ~ 300 sec |

Audio

| | |
|-------------------|--|
| Input | 4 RCA, 16 BNC |
| Output | 1 channel, RCA |
| Two-way Talk | Reuse audio in/out, RCA (shares the same audio input with the first channel) |
| Audio Compression | G.711A, G.711U, PCM |

Display

| | |
|-----------------|--|
| Interface | 1 HDMI, 1 VGA |
| Resolution | VGA: 1920 × 1080, 1280 × 1024, 1280 × 720 HDMI: 3840 × 2160, 1920 × 1080, 1280 × 1024, 1280 × 720 |
| AI Mode | 1920 × 1080, 1280 × 1024, 1280 × 720 when Face Recognition, IVS or iMD is selected |
| Display Split | When IP extension mode not enabled: 1/4/8/9/16 When IP extension mode enabled: 1/4/8/9/16/25 |
| Multi Screen | Main + Extra screen (only coax channels are supported on extra screen) |
| Privacy Masking | 4 rectangular zones (each camera) |
| OSD | Camera title, Time, Video loss, Camera lock, Motion detection, Recording |

Alarm

| | |
|-------------------|--|
| Alarm Input | 16 channel |
| Relay Output | 3 channel |
| General Alarm | Motion detection, Video Loss, tampering, and local alarm |
| Anomaly Alarm | No disk, disk error, low space, offline, ip conflict, MAC conflict |
| Intelligent Alarm | Face detection, face recognition, perimeter protection |
| Alarm Linkage | Record, snapshot (panoramic), IPC external alarm output, access controller, voice prompt, buzzer, log, preset, email |

Playback & Backup

| | |
|--------------------|---|
| Sync Playback | 1/4/9/16 split |
| AI Search | 1/4/9 split- Face Search or IVS & iMD |
| Search Mode | Time /Date, Alarm, MD and Exact Search (accurate to second) |
| Playback Functions | Play, Pause, Stop, Rewind, Fast play, Slow Play, Next File, Previous File, Next Camera, Previous Camera, Full Screen, Repeat, Shuffle, Backup Selection, Digital Zoom |
| Backup Mode | USB Device/Network |

Network

| | |
|-------------------|---|
| Ethernet | 1 RJ-45 Port (1000 MB) |
| Network Functions | HTTP, HTTPS, TCP / IP, IPv4, RTSP, UDP, SMTP, NTP, DHCP, DNS, DDNS, P2P |
| Interoperability | ONVIF 16.12, CGI Conformant |
| Max. User Access | 128 users |
| Smart Phone | Android, iOS, iPhone |

Storage

| | |
|--------------|---|
| Internal HDD | 2 SATA Port, up to 10TB capacity for each disk (The maximum HDD capacity varies with environment temperature) |
| External HDD | N/A |

Auxiliary Interface

| | |
|-------|-------------------------------------|
| USB | 2 USB Ports (1 USB 2.0 , 1 USB 3.0) |
| RS232 | N/A |
| RS485 | 1 Port, for PTZ Control |

General

| | |
|---------------------|---|
| Power Supply | DC 12V/4A |
| Power Consumption | <12W |
| Working Environment | +14°F ~ +131°F (-10°C ~ +55°C), 10~ 90% RH |
| Installation | Desktop installation |
| Dimensions (W×D×H) | 1U, 14.76" × 11.38" × 2.09" (375.0 mm × 289.0 mm × 53.0 mm) |
| Net Weight | 3.62 lb (1.64 kg) |
| Gross Weight | 6.48 lb (2.94 kg) |

Certifications

| | |
|----------------|------------------------|
| Certifications | FCC: Part 15 Subpart B |
|----------------|------------------------|

Intelligence

Note: HDVR AI functions are coax channel only and will be disabled when IP camera extension is enabled.

Perimeter Protection

| | |
|--------------|--|
| Capabilities | Tripwire & intrusion; Recognition of human and vehicle Set up to 10 rules. |
| Performance | Advanced Model (Increased Accuracy): 2 channels General Model: 4 channels |
| AI Search | Search by target classification (Human, Vehicle) |

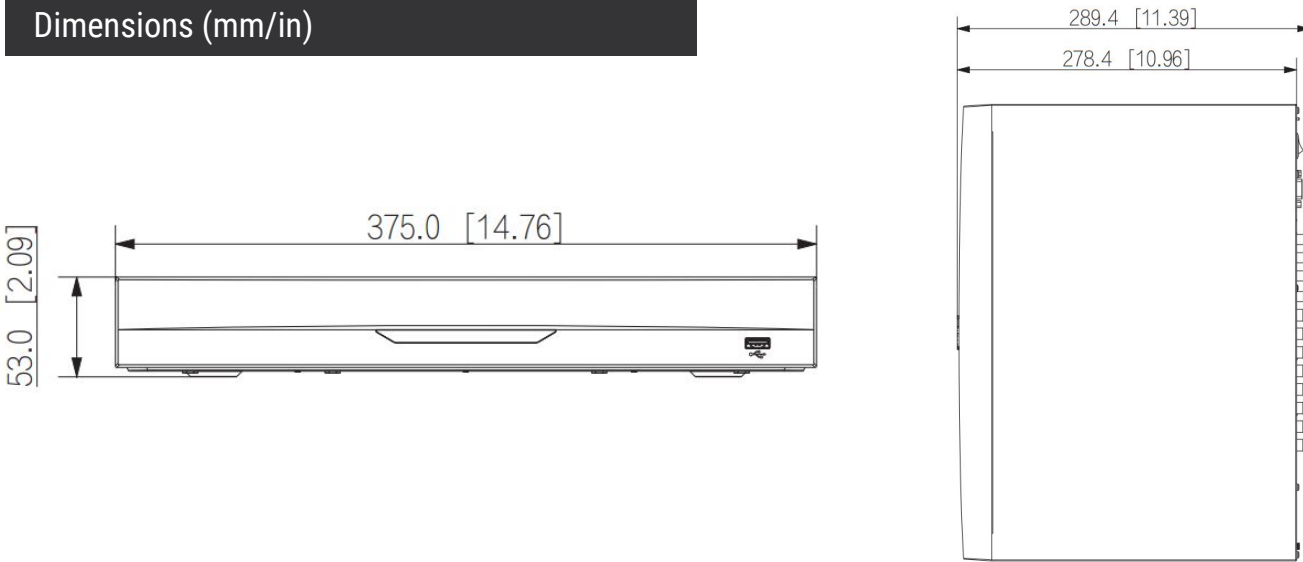
Intelligent Motion Detect (iMD)

| | |
|--------------|--|
| Capabilities | Secondary filtering for human and motor vehicle , reducing false alarms caused by leaves, rain and lighting condition change |
| Performance | Up to 16 channels, or 15 channels if Perimeter Protection is enabled |
| AI Search | Search videos through channels, time and target types. |

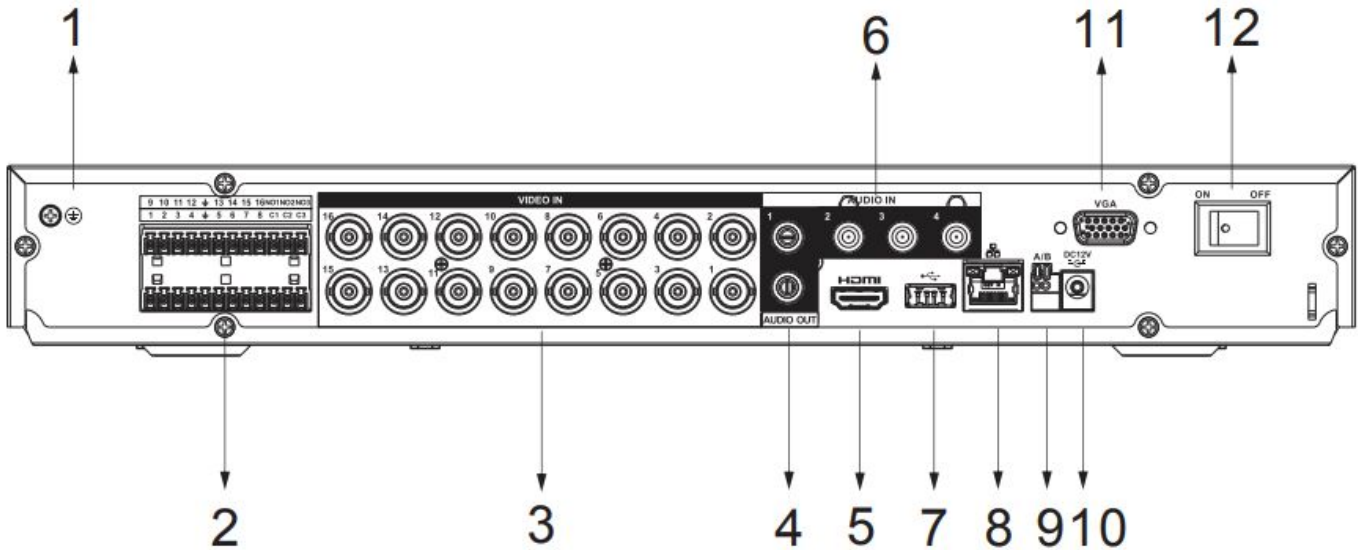
Face Recognition

| | |
|-------------------------------|---|
| Capabilities (AI by Recorder) | Up to 12 face pictures/sec processing (modeling and comparing). |
| Performance | 2 channels of human face recognition or face detection (coax channel only) *If enabled, All other AI features will be disabled. |
| Stranger Mode | Detect strangers' faces (not in device's face database).Similarity threshold can be set manually. |
| AI Search | Similarity threshold can be set for each target face image during search. |
| Database Management | Up to 10 face databases and 10,000 pictures. |
| Database Application | Each database can be applied to video channels independently |

Dimensions (mm/in)



Panels



- | | |
|---------------|-----------------------|
| 1 Ground | 2 Alarm In/Out |
| 3 Video In | 4 Audio Out |
| 5 HDMI Port | 6 Audio In |
| 7 USB Port | 8 Network Port |
| 9 RS-485 Port | 10 DC 12V Power Input |
| 11 VGA Port | 12 Power Switch |