



AVC-NLD51M

NDA
COMPLIANT | CE | FC

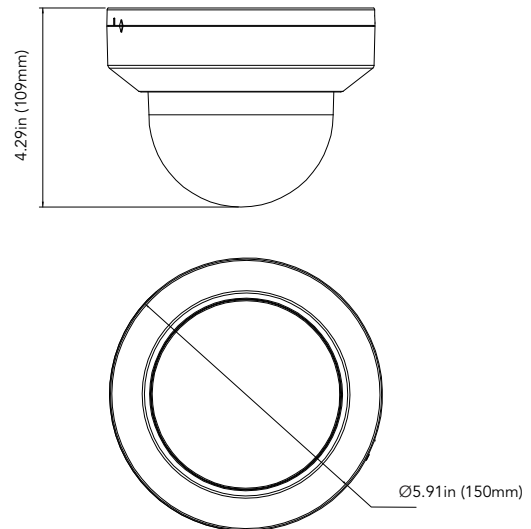
5MP H.265 MOTORIZED LENS INDOOR DOME NETWORK CAMERA

OVERVIEW

- 5MP (2592x1944) @ 20fps
- Max. Resolution: 2592x1944
- H.265/H.264, MJPEG (Substream Only) Encoding
- Day & Night AUTO ICR
- Motorized 2.7~13.5mm Lens (F1.8(Wide) ~ 3.3(Tele))
- 3D DNR, D-WDR, BLC and ROI Encoding
- Built-in micro SD card slot, up to 256GB
- DC12V/PoE power supply
- Support remote monitoring by AVYCON ONE (Mobile APP) and AVYCON CMSONE (CMS)

DIMENSIONS

Unit : inch(mm)



OPTIONAL ACCESSORIES



AVM-CWM-EDV-L1
JUNCTION BOX



AVM-POM-A1
POLE
MOUNT BRACKET



AVM-CRM-A1
CORNER
MOUNT BRACKET

SPECIFICATIONS

VIDEO	
Imaging Device	1/2.7" Progressive CMOS
Resolution	Main Stream: 2592x1944, 2560x1440, 2592x1520, 2304x1296, 1920x1080, 1280x960, 1280x720 Sub Stream: 1280x720, 640x480, 320x240 Mobile Stream: 320x240
Max. Framerate	Main Stream: Max. 20fps/20fps (60Hz/50Hz) @ 5MP 30fps/25fps (60Hz/50Hz) @ 4MP Sub Stream: Max. 20fps (60Hz/50Hz) Mobile Stream: Max. 20fps (60Hz/50Hz)
Min. Illumination	Color: 0.004 lux @ F1.6 (AGC on) B/W: 0 lux (IR LED on)
Compression	Video: H.265/H.264 Main Profile, MJPEG (Sub Stream Only) Audio: G.711a / G.711u
Bitrate Control	CBR or VBR (256Kbps ~ 8Mbps)
LENS	
Focal Length (Zoom Ratio)	2.7~13.5mm
Max. Aperture Ratio	F1.8 (Wide)~3.3 (Tele)
Angular Field of View	Horizontal: 102°(W)~31°(T), Vertical: 73°(W)~23°(T), Diagonal: 138°(W)~38°(T)
Min. Object Distance	0.98ft (0.3M)
Focus Control	Simple Focus
Lens Type	Motorized (Ø14)
PAN / TILT / ROTATE	
Pan / Tilt / Rotate Adjustment	Manual Adjustment
OPERATIONAL	
Camera Title	Title Displayed up to 32 characters
Day & Night	AUTO (ICR)
Exposure Compensation	BLC, D-WDR
Digital Noise Reduction	3D DNR
Digital Image Stabilization	N/A
Motion Detection	Rectangle Grid (8 Levels of Sensitivity)
Privacy Masking	4 Rectangle Zones
Gain Control	AUTO
White Balance	AUTO / MANUAL
LDC	N/A
Electronic Shutter Speed	AUTO / Manual (1/5 ~ 1/20000s)
Video Rotation	Flip / Mirror
Analytics	N/A
Alarm I/O	1 Input / 1 Output
Alarm Triggers	Motion, Alarm, Sound Detection
Alarm Events	Notification via E-mail, Image file upload via FTP, Image file upload to Cloud (Dropbox), Alarm Out, Micro SD recording at event triggered, Event Push via HTTP / UDP
Audio In	1 Line-In (RCA)
Audio Out	1 Line-Out (RCA)
IR Viewable Length	98ft (30M)
NETWORK	
Ethernet	RJ45 (10/100BASE-T)
Streaming	Unicast / Multicast
Protocol	TCP/IP, HTTP, DHCP, DNS, DDNS, RTP/RTSP, SMTP, NTP, UPnP, SNMP, HTTPS, FTP
Security	Login Authentication, IP Address Filtering, User access log
Application Programming Interface	ONVIF Profile S/G/T, REST API
GENERAL	
Webpage Language	English, Korean
Edge Storage	Micro SD/SDHC/SDXC Slot (256GB)
Memory	N/A
ENVIRONMENTAL & ELECTRICAL	
Operating Temperature / Humidity	-31°~140°F (-35°~+60°C) / less than ≤ 95% RH
Storage Temperature / Humidity	
Input Voltage	PoE (IEEE802.3at) / 12VDC
Power Consumption	Max. 3.5W (IR LED off), Max. 6.5W (IR LED on)
MECHANICAL	
Color / Material	White / Metal
Product Dimensions / Weight	Ø5.91x4.29in (150x109mm) / 0.96lbs (436g)
DORI (EN62676-4-STANDARD)	
Detect (25PPM / 8PPF)	
Observe (63PPM / 19PPF)	
Recognize (125PPM / 38PPF)	
Identify (250PPM / 76PPF)	