



# AVC-NSZ81X25LW **AI**

NDA  
COMPLIANT | CE | FC

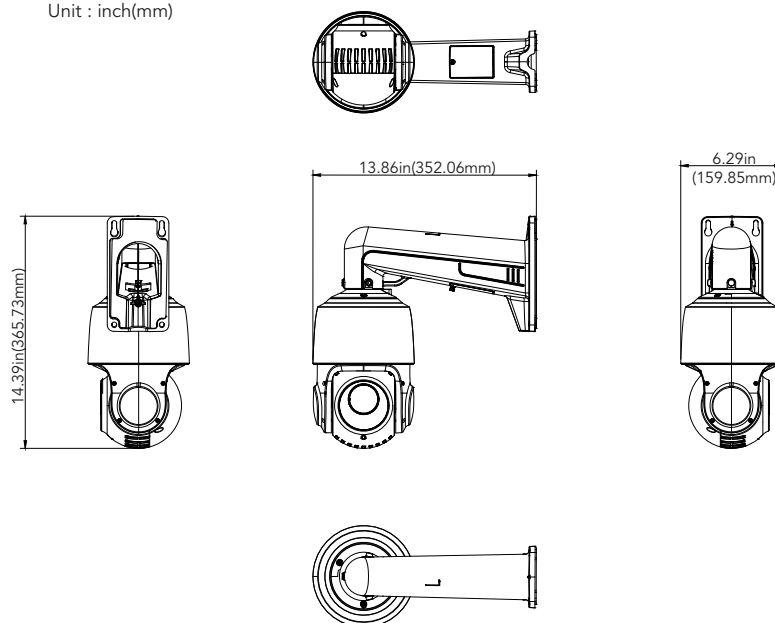
8MP 25X NETWORK IR SPEED DOME CAMERA

## OVERVIEW

- 8MP (3840 X 2160)H.265+/H.264+/MJPEG
- Max. resolution: 3840 X 2160 @30fps
- 5 ~ 125mm Motorized Lens (Max F1.6)
- 3D DNR, WDR, HLC, BLC, ROI encoding
- Intelligent Analytics
- Auto Tracking
- Audio : 1 input / 1 output
- Alarm : 1 input / 1 output
- Built-in micro SD card slot with video and still image capture function (up to 256GB)
- IP66 ingress protection
- DC 12V/POE+, max. 25.2W
- Support remote monitoring by AVYCON ONE (Mobile APP) and AVYCON CMSONE (CMS)

## DIMENSIONS

Unit : inch(mm)



## OPTIONAL ACCESSORIES



AVM-PT-CMT-PM-L1  
CEILING MOUNT



AVM-CRM-A1  
CORNER MOUNT  
BRACKET



AVM-P-POM-A2  
POLE MOUNT  
BRACKET

## SPECIFICATIONS

| VIDEO                             |   |
|-----------------------------------|---|
| Imaging Device                    | 1/2.8" Progressive Scan CMOS  |
| Resolution                        | Main Stream : 3840x2160,3072x1728,2592x1944, 2592x1520, 2304x1296,1920x1080,1280x960,1280x720<br>Sub Stream : 1280x720, 640x480, 320x240<br>Mobile Stream: 640x480, 320x240   |
| Max. Framerate                    | Main Stream: Max. 30fps/25fps(60Hz/50Hz)<br>Sub Stream: Max. 30fps/25fps (60Hz/50Hz)<br>Mobile Stream : Max. 30fps/25fps (60Hz/50Hz)  |
| Min. Illumination                 | Color: 0.007 Lux @ (F1.6, AGC ON)<br>B/W: 0 Lux with IR   |
| Video Out                         | CVBS  |
| LENS                              |   |
| Focal Length (Zoom Ratio)         | 5mm to 125mm  |
| Max. Aperture Ratio               | Max. F1.6   |
| Angular Field of View             | Horizontal: 59.9°(W)~ 8.9°(T), Vertical: 34.4°(W)~ 4.8°(T), Diagonal: 67.1°(W)~ 5.1°(T)   |
| Min. Object Distance              | 2.62ft (0.8M) (Wide) ~ 3.28ft (1M) (Tele)   |
| Focus Control                     | Auto,manual   |
| Lens Type                         | Motorized   |
| PAN / TILT / ROTATE               |   |
| Pan / Tilt / Rotate Range         | 360° / -10° to 90° (auto flip)  |
| OPERATIONAL                       |   |
| Camera Title                      | Title displayed up to 32 characters   |
| Day & Night                       | IR cut filter   |
| Backlight Compens                 | BLC, HLC, WDR   |
| Digital Noise Reduction           | 3D DNR  |
| Digital Image Stabilization       | N/A   |
| Motion Detection                  | Rectangle Grid (8 Levels of Sensitivity)  |
| Privacy Masking                   | 4 Rectangle Zones   |
| Gain Control                      | AUTO  |
| White Balance                     | AUTO / MANUAL   |
| LDC                               | N/A   |
| Electronic Shutter Speed          | AUTO / Manual (1/5 ~ 1/20000s)  |
| Video Rotation                    | Flip / Mirror   |
| Analytics                         | Face Recognition, Human & Vehicle Detection, Perimeter Intrusion Detection, Line Crossing Detection, Stationary Object Detection, Crossing Counting, Heat Map, Crowd Density Detection, Queue Length Detection, License Plate Detection, Rare Sound, Loitering Detection, Region Entrance, Region Exiting |
| Alarm I/O                         | 1 input, 1 output   |
| Alarm Triggers                    | Motion, Sound Detection   |
| Alarm Events                      | Notification via E-mail, Image file upload via FTP, Video file upload via FTP, Image file upload to Cloud (Dropbox), Video file upload to Cloud (Dropbox), Micro SD recording at event triggered, Event Push via HTTP / UDP   |
| Audio In                          | 1 input   |
| Audio Out                         | 1 output  |
| IR Viewable Length                | IR Distance: up to 328ft(100m)  |
| NETWORK                           |   |
| Ethernet                          | RJ45(10/100BASE-T)  |
| Video Compression                 | H.265+/H.265 Main Profile, H.264+/H.264 High Profile,MJPEG(Sub Stream Only)   |
| Audio Compression                 | G.711a / G.711u   |
| Bitrate Control                   | 16 kbps to 16384 kbps   |
| Streaming                         | Unicast/Multicast   |
| Protocol                          | IPv4/IPv6, HTTP, HTTPS, FTP, SMTP, UPnP, SNMP, DNS, DDNS, NTP, RTSP, TCP/IP, UDP, DHCP, PPPoE,  |
| Security                          | Password protection, complicated password, HTTPS encryption, IP address filter,control timeout settings   |
| Application Programming Interface | Onvif ( Profile S, Profile G, Profile T),Http API   |
| GENERAL                           |   |
| Webpage Language                  | English, Korean   |
| Edge Storage                      | Micro SD/SDHC/SDXC Slot (up to 256GB) with video and still image capture function   |
| Memory                            | N/A   |
| ENVIRONMENTAL & ELECTRICAL        |   |
| Operating Temperature / Humidity  | -22 °F to 149 °F(-30 °C to 60 °C). Humidity 90% or less (non-condensing)  |
| Storage Temperature / Humidity    |   |
| Certification                     | IP66  |
| Input Voltage                     | DC 12V/PoE+   |
| Power Consumption                 | 25.2W   |
| MECHANICAL                        |   |
| Color / Material                  | White / Metal   |
| Product Dimensions / Weight       | Ø 6.3" × 10.6"(Ø 160 mm × 270 mm) / 5.58lb.(2.53 kg )   |
| DORI (EN62676-4 STANDARD)         |   |
| Detect (25PPM/ 8PPF)              |   |
| Observe (63PPM/ 19PPF)            |   |
| Recognize (125PPM/ 38PPF)         |   |
| Identify (250PPM/ 76PPF)          |   |