



AVC-TE51F28

NDAA COMPLIANT | CE | FC

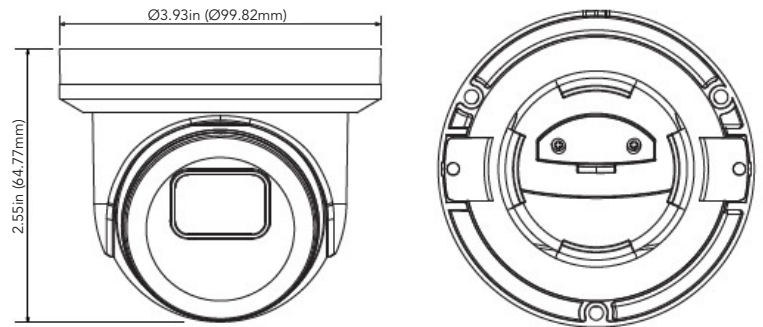
5MP HD-TVI FIXED TURRET CAMERA

OVERVIEW

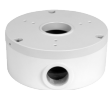
- 5MP (2592x1944)
- HD-TVI / CVI / AHD / CVBS (Analog)
- True Day & Night ICR
- Fixed 2.8mm Lens
- Easy-to-Use DIP Switch to Change Formats
- DNR, WDR, BLC
- Smart IR Illumination Up to 66ft
- IP67 ingress protection
- DC12V

DIMENSIONS

Unit : inch(mm)



OPTIONAL ACCESSORIES



AVM-JB-BE-S1
JUNCTION BOX



AVM-CWM-EV-S1
COMPACT
WALL MOUNT



AVM-HWM-E-S1
WALL MOUNT
WITH JUNCTION BOX



AVM-HCM-E-S1
CEILING MOUNT
WITH JUNCTION BOX



AVM-POM-A1
POLE
MOUNT BRACKET



AVM-CRM-A1
CORNER
MOUNT BRACKET

SPECIFICATIONS

| CAMERA | |
|------------------------------|--|
| Image Sensor | 1/2.7" Progressive Scan CMOS |
| Resolution | 5MP |
| Image Size | 2592x1944 |
| Video Output | 1 channel BNC Video Output |
| Image System | PAL / NTSC |
| Electronic Shutter | 1/15s to 1/50,000s |
| IR Distance | Up to 66ft. |
| Video Formats | HD-TVI / ADH / CVI / CVBS (Analog) |
| Frame Rate | AHD / TVI: 5MP @ 20fps (NTSC / PAL) AHD / CVI / TVI: 4MP @ 30fps (NTSC) / 25fps (PAL), 2MP @ 30fps (NTSC) / 25fps (PAL) |
| Min. Illumination | 0.05 lux @ F1.2 (AGC ON), 0 lux with IR ON |
| Lens | Fixed 2.8mm Lens |
| Lens Mount | M12 |
| Horizontal Field of View | 92.8° |
| S/N Ratio | 39dB |
| Function Control | OSD, Control over Coax (UTC) |
| IMAGE | |
| Day & Night | EXT / Auto / Color / BW (Black and White) |
| WDR | Yes |
| Digital NR | Yes |
| Auto Gain Control (AGC) | Yes |
| Auto White Balance (AWB) | Yes |
| Backlight Compensation (BLC) | Yes |
| Edge Brightness Compensation | Yes |
| Defog | No |
| HLC | No |
| Sharpness | Yes |
| Mirror Image | Yes |
| Smart IR (Anti-SAT) | Yes |
| Image Setting | Yes |
| Defect Correction | Auto / Manual |
| GENERAL | |
| Angle Adjustment | Manual Adjustment |
| Input Voltage | DC 12V (±10%) |
| Power Consumption | Maximum 4W |
| Ingress Protection | IP67 |
| Working Environment | -22F°~131°F (-30°~55°C) |
| Dimensions | Ø3.93x2.55in (Ø100x65mm) |