



Network

Multi-sensor

# PNM-C34404RQPZ

4K 4Ch PTRZ + 2MP 40x PTZ AI Camera



## Key Features

- 360° Analytics events based on AI engine: Classified object (Person/Face/Vehicle/License plate)
- 360° Attributes search (Vehicle type: Car/Bus/Truck/Motorcycle/Bicycle)
- AI based loitering detection and line crossing detection
- AI based WiseNR II, Auto prefer shutter control, WiseStreamIII
- AI based smart zoom and advanced hand over
- PTRZ remote adjustment
- New design
- Expansion of alarm/audio features
- Next level cybersecurity (TPM 2.0 with FIPS 140-2 level2)
- Reinforced durability (IP66, IK10, NEMA4X)

# PNM-C34404RQPZ

4K 4Ch PTRZ + 2MP 40x PTZ AI Camera



## Specifications

|                            |   |   |
|----------------------------|---|---|
| Video                      | 4CH camera  | PTZ   |
| Imaging Device             | 1/2.8" CMOS   |   |
| Resolution                 | 3840x2160, 1920x1080, 1280x1024, 1280x960, 1280x720, 1024x768, 800x600, 800x448, 720x576, 720x480, 640x480, 640x360, 320x240  | 1920x1080, 1280x1024, 1280x960, 1280x720, 1024x768, 800x600, 800x448, 720x576, 720x480, 640x480, 640x360, 320x240 |
| Max. Framerate             | [AI On]<br>H.265/H.264: Max. 15fps/15fps(60Hz/50Hz)<br>MJPEG: Max. 15fps/15fps(@8MP Max. 5fps)<br>[AI Off]<br>H.265/H.264: Max. 20fps/20fps(60Hz/50Hz)<br>MJPEG: Max. 20fps/20fps(@8MP Max. 5fps) | H.265/H.264: Max. 60fps/50fps(60Hz/50Hz)<br>MJPEG: Max. 30fps/25fps(60Hz/50Hz)                                    |
| Min. Illumination          | Color: 0.1Lux(F1.5, 1/30sec, 30IRE)<br>BW: 0.01Lux(F1.5, 1/30sec, 30IRE), 0Lux(IR LED on)   | Color: 0.05Lux(F1.6, 1/30sec, 30IRE)<br>BW: 0.005Lux(F1.6, 1/30sec, 30IRE), 0Lux(IR LED on)                       |
| <b>Lens</b>                |   |   |
| Focal Length (Zoom Ratio)  | 3.3~5.7mm(1.7x) motorized varifocal   | 4.25~170mm(40x) zoom(digital 32x, total 1280x zoom)   |
| Max. Aperture Ratio        | F1.5(Wide)~F1.9(Tele)   | F1.6(Wide)~F4.95(Tele)  |
| Angular Field of View      | H: 109°(Wide)~56°(Tele)<br>V: 55°(Wide)~31°(Tele)<br>D: 136°(Wide)~65°(Tele)  | H: 65.66°(Wide)~1.88°(Tele)<br>V: 39.40°(Wide)~1.09°(Tele)  |
| Min. Object Distance       | 1.3m(4.27ft)  | 5m(16.4ft)  |
| Focus Control              | Simple focus  | Oneshot AF, Focus save  |
| Lens Type                  | Fixed iris  | DC auto iris  |
| <b>Pan / Tilt / Rotate</b> |   |   |
| Pan / Tilt / Rotate Range  | Remote adjustment(Max. 200cycles)<br>0°~360° / 9°~65° / 0°~90°<br>* Tilt angle with Shield IR: 40°~65°  |   |
| Pan Range                  | 360° Endless  |   |
| Pan Speed                  | Max: 700°/sec, Manual: 0.024°/sec~250°/sec  |   |
| Tilt Range                 | 0°~110°   |   |
| Tilt Speed                 | Max: 500°/sec, Manual: 0.024°/sec~250°/sec  |   |
| Sequence                   | Preset(300ea), Swing, Group(6ea), Trace, Tour, Auto Run, Schedule   |   |
| Preset Accuracy            | Up to ±0.1°, Pan/Tilt correction  |   |
| <b>Operational</b>         |   |   |
| Camera Title               | Displayed up to 85 characters   |   |
| Direction Indicator        | Support   |   |
| Day & Night                | Auto(ICR)   |   |
| Backlight Compensation     | BLC, WDR, SDR   | BLC, HLC, WDR, SDR  |
| Wide Dynamic Range         | 120dB   | extremeWDR(150dB)   |

Design and specifications are subject to change without notice. The latest product information / specification can be found at [HanwhaVision.com](http://HanwhaVision.com)

Hanwha Vision is formerly known as Hanwha Techwin.

|                             |  |  |
|-----------------------------|--|--|
| Digital Noise Reduction     | SSNR V , WiseNR II (Based on AI engine)  |  |
| Digital Image Stabilization |  | Support  |
| Defog                       |  | Support  |
| Motion Detection            | 8ea, 8point Polygonal zones  |  |
| Privacy Masking             | 6ea, rectangular zones<br>- Color: Grey/Black/White  | 32ea, 4point quadrangle zones<br>- Color: Grey/Green/Red/Blue/Black/White<br>- Mosaic  |
| Gain Control                | Low / Middle / High  | Off / Max Gain / Manual  |
| White Balance               | ATW / AWC / Manual / Indoor / Outdoor  | ATW / Narrow ATW / AWC / Manual / Indoor / Outdoor / Mercury / Sodium  |
| LDC                         | Support  |  |
| Electronic Shutter Speed    | Minimum / Maximum / Anti flicker(2~1/12,000sec)<br>Prefer shutter control(Based on AI engine)  |  |
| Video Rotation              | Flip, Mirror, Hallway view(90°/270°) - Each channel separately   | Flip, Mirror   |
| Analytics                   | <p>Classified object type:<br/>Person/Face/Vehicle/License plate<br/>Attributes: Vehicle(Type:<br/>car/bus/truck/motorcycle/bicycle)<br/>Support BestShot<br/>Analytics events based on AI engine<br/>- Object detection, Virtual line*(Crossing/Direction), Virtual area*(Loitering/Intrusion/Enter/Exit)<br/>Analytics events<br/>- Defocus detection, Motion detection, Tampering, Virtual area(Appear/Disappear)</p> <p>* Some of the video analytics only works with people and vehicle detection</p> | <p>Analytics events<br/>- Motion detection, Fog detection, Tampering, Virtual area(Loitering/Intrusion/Enter/Exit/Appear/Disappear), Virtual line(Crossing/Direction)<br/>* Support Audio detection, Sound classification via optional I/O box(SPM-4210)</p> |
| Alarm I/O                   | Via optional I/O box SPM-4210  |  |
| Alarm Triggers              | Analytics, Network disconnect, Alarm input(Via optional I/O box SPM-4210), App event, Schedule, MQTT subscription  |  |
| Alarm Events                | <p>When alarm trigger occurred<br/>- File upload(image): e-mail/FTP<br/>- Notification: e-mail<br/>- Recording: SD/SDHC/SDXC or NAS recording at event triggers<br/>- Alarm output(Via optional I/O box SPM-4210)<br/>- Handover(PTZ preset, Send message by HTTP/HTTPS/TCP)<br/>- Smart zoom<br/>- MQTT: publication</p>  |  |
| Audio In                    | Via optional I/O box SPM-4210  |  |
| Audio Out                   | Via optional I/O box SPM-4210  |  |
| IR Viewable Length          | 20m(65.62ft)   | 200m(656.17ft)   |
| Water Removal               |  | Support(Spin dry)  |
| Auto Tracking               |  | Object auto tracking(Person/Vehicle), Target lock tracking   |
| <b>Network</b>              |  |  |
| Ethernet                    | Metal shielded RJ-45(10/100/1000BASE-T)  |  |
| Video Compression           | H.265/H.264: Main/High, MJPEG  | H.265/H.264: Main/Baseline/High, MJPEG   |
| Smart Codec                 | Manual(5ea area), WiseStream II , WiseStreamIII(Based on AI engine)  |  |
| Video Quality Adjustment    | H.264/H.265: Target bitrate level control<br>MJPEG: Target bitrate level control   |  |
| Bitrate Control             | H.264/H.265: CBR or VBR<br>MJPEG: VBR  |  |
| Streaming                   | Unicast(10 users) / Multicast<br>Multiple streaming(Up to 3 profiles)  | Unicast(20 users) / Multicast<br>Multiple streaming(Up to 10 profiles)   |
| Protocol                    | IPv4, IPv6, TCP/IP, UDP/IP, RTP(UDP), RTP(TCP), RTCP, RTSP, NTP, HTTP, HTTPS, SSL/TLS, DHCP, FTP, SMTP, ICMP, IGMP, SNMPv1/v2c/v3(MIB-2), ARP, DNS, DDNS, QoS, UPnP, Bonjour, LLDP, SRTP(TCP, UDP Unicast), MQTT   |  |

Design and specifications are subject to change without notice. The latest product information / specification can be found at [HanwhaVision.com](http://HanwhaVision.com)

Hanwha Vision is formerly known as Hanwha Techwin.

|                                   |  |
|-----------------------------------|--|
| Application Programming Interface | ONVIF Profile S/T<br>SUNAPI(HTTP API)<br>Wisenet open platform |
|-----------------------------------|--|

### Security

|                        |   |
|------------------------|---|
| OS / Firmware Protect  | Secure boot, Signed firmware, Firmware encryption                 |
| User authentication    | Digest Authentication   |
| Network authentication | 802.1X Authentication(EAP-TLS, EAP-LEAP, EAP-PEAP MSCHAPv2)       |
| Secure Communication   | HTTPS, SRTP, WSS(Websocket secure)                                |
| Access Control         | IP address filtering  |
| Data Protect           | Authentication information encryption, ZIP compression encryption |
| Audit                  | User Access/System/Event log                                      |
| Device ID              | Device Certificate(Hanwha Private Root CA)                        |
| Secure Storage         | TPM 2.0 with FIPS 140-2 level2                                    |

### General

|                  |  |                      |
|------------------|--|----------------------|
| Webpage Language | English, Korean, Chinese, French, Italian, Spanish, German, Japanese, Russian, Portuguese, Czech, Polish, Turkish, Dutch, Hungarian, Greek |                      |
| Edge Storage     | Micro SD/SDHC/SDXC 2slot 1TB(512GBx2)  |                      |
| Memory           | 8GB RAM, 1GB Flash   | 4GB RAM, 512MB Flash |

### Environmental & Electrical

|                                  |   |
|----------------------------------|---|
| Operating Temperature / Humidity | -40°C~+50°C(-40°F~+122°F)<br>* Start up should be done at above -30°C<br>0~95% RH(non-condensing) |
| Storage Temperature / Humidity   | -50°C~+60°C(-58°F~+140°F) / 0~95% RH  |
| Certification                    | IP66, NEMA4X, IK10  |
| Input Voltage                    | HPoE(IEEE802.3bt type 4, Class 8)   |
| Power Consumption                | HPoE: Max 64.00W, typical 45.00W  |

### Mechanical

|                             |  |
|-----------------------------|--|
| Color / Material            | White / Aluminum<br>Bubble: Hard-coated dome 4CH and PTZ |
| RAL Code                    | RAL9003  |
| Product Dimensions / Weight | ø379.8x301.9mm(ø14.95x11.89"), 7900g(17.42 lb)           |
| Hanging Mount (Dome)        | Included   |

### Certifications & Standards

|             |  |
|-------------|--|
| EMC         | FCC 47 CFR 15 Subpart B Class A<br>ICES-3(A)/NMB-3(A)<br>CE/UKCA<br>- EN 55032 Class A, EN 50130-4, EN 61000-3-2, EN 61000-3-3<br>VCCI CISPR 32 Class A<br>RCM AS/NZS CISPR 32 Class A |
| Safety      | UL 62368-1, CAN/CSA C22.2 NO. 62368-1<br>IEC/EN 62471  |
| Environment | IEC/EN 63000<br>IEC/EN 60529 IP66, IEC/EN 62262 IK10<br>NEMA 250 type 4X   |

### DORI (EN62676-4 standard)

|                           |  |  |
|---------------------------|--|--|
| Detect (25PPM/ 8PPF)      | Wide: 54.8m(179.73ft) / Tele: 144.4m(473.88ft) | Wide: 59.5m(195.3ft) / Tele: 2340.4m(7678.4ft) |
| Observe (63PPM/ 19PPF)    | Wide: 21.9m(71.89ft) / Tele: 57.8m(189.55ft)   | Wide: 23.8m(78.1ft) / Tele: 936.2m(3071.4ft)   |
| Recognize (125PPM/ 38PPF) | Wide: 11.0m(35.95ft) / Tele: 28.9m(94.78ft)    | Wide: 11.9m(39.1ft) / Tele: 468.1m(1535.7ft)   |

Design and specifications are subject to change without notice. The latest product information / specification can be found at [HanwhaVision.com](http://HanwhaVision.com)

Hanwha Vision is formerly known as Hanwha Techwin.



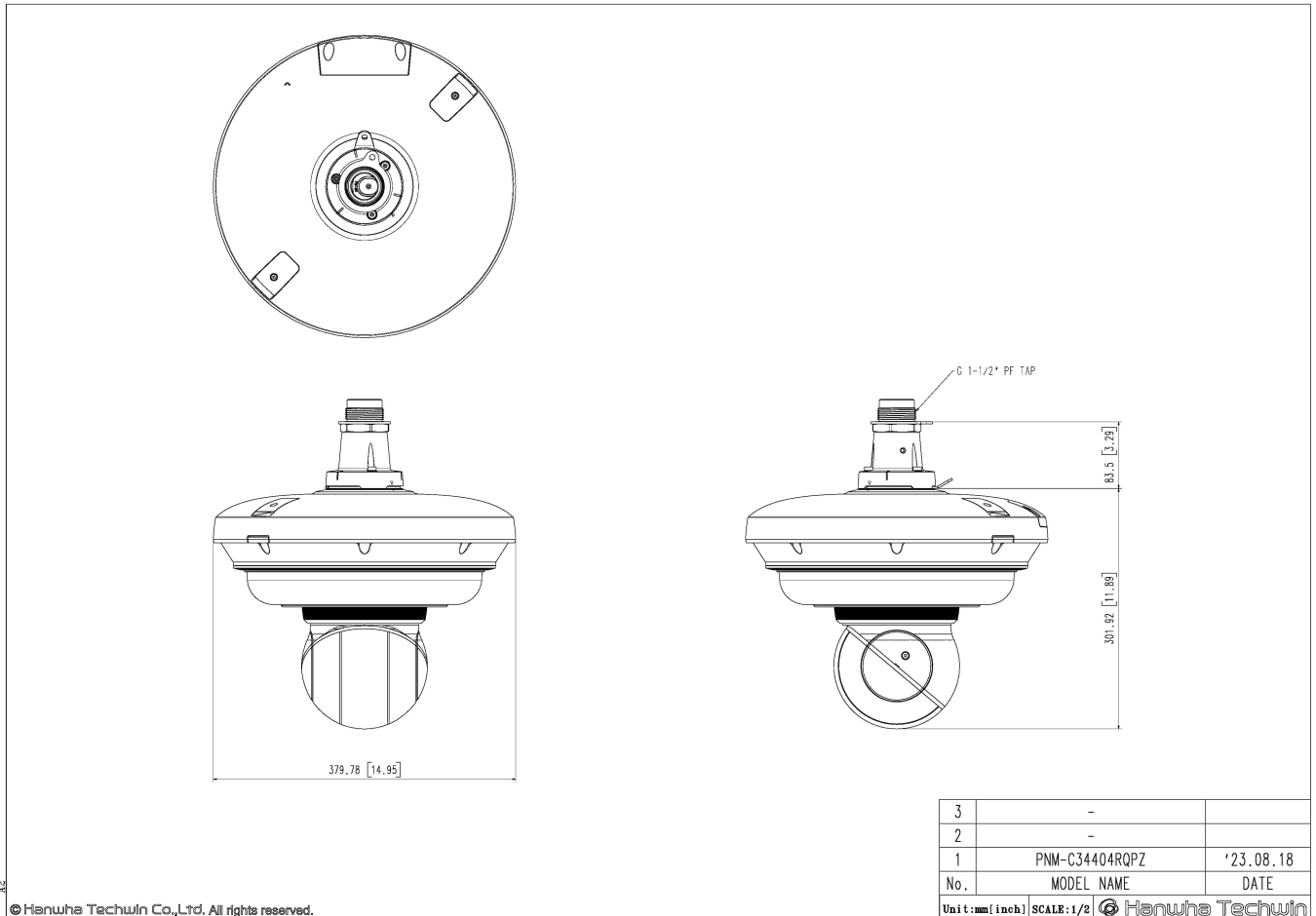
# PNM-C34404RQPZ

4K 4Ch PTRZ + 2MP 40x PTZ AI Camera



CAD

Unit:mm [inch]



© Hanwha Techwin Co.,Ltd. All rights reserved.