

6062

Multi-Purpose Timer

Altronix 6062 programmable timer is suitable for many functions that require a timed operation e.g. Access Control Applications, Siren/Bell Cut Off Module, Dialer Delay, Guard Tour Supervisory Timer, etc. Some optional functions include: One Shot, Delayed Release, Delayed Operate, Delayed Pulse, and Pulsar/Flasher.



6062

Specifications

Input

Voltage	12VDC or 24VDC selectable
Current Draw	Stand-by: 3mA, Relay energized: 40mA.

Relay

Contact Rating	8A/120VAC or 28VDC contacts
Selectable relay activation at the start or end of the timing cycle	
One (1) second momentary relay activation at the end of the timing cycle (eliminates the need to use two timers for this function)	

Timer

- Triggers via positive DC (+) voltage, dry contact closure or removal of contact closure.
- Quick and extremely accurate time range adjustment from 1 second to 60 minutes.
- Built-in reset feature cancels timing cycle
- Repeat (flasher/pulse) mode

Indicators (LED)

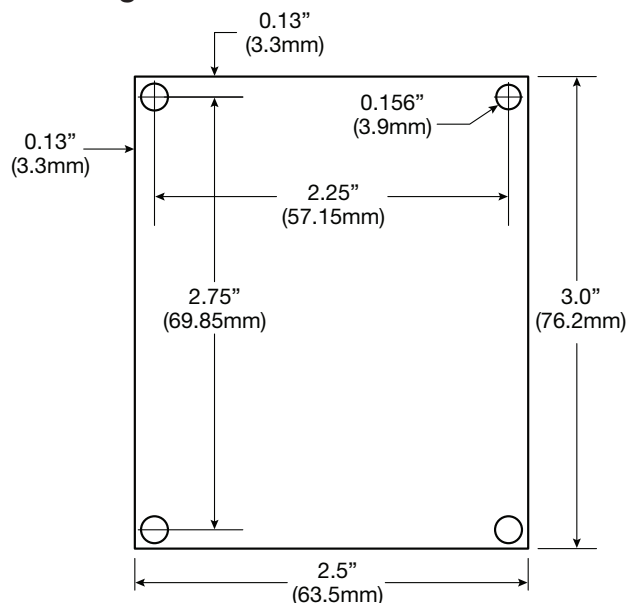
Red	Indicates relay is energized.
-----	-------------------------------

Physical and Environmental

Dimensions (L x W x H)	3" x 2.5" x 0.75" (76.2mm x 63.5mm x 19.05mm)
Product Weight	0.1 lb. (0.05 kg).
Shipping Weight	0.15 lb. (0.07 kg).
Temperature	
Operating	-20°C to 49°C (-4°F to 120°F)
Storage	-25°C to 70°C (-13°F to 158°F)
Relative Humidity	85% +/-5%.

Board Dimensions (L x W x H) and Drawing

3" x 2.5" x 0.75" (76.2mm x 63.5mm x 19.05mm)



Lifetime Warranty