



## Summary

The Compressor™ analog to IP signal encoder converts up to 16 HD-Analog, HD-TVI and CVBS signals into IP, with live local display at real-time 1080p and streaming at a total of 240fps. The Compressor™ is fully integrated with DW Spectrum® IPVMS and is an affordable solution for applications with both analog and IP cameras.

## Features

- The most cost-effective path to IP
- Universal HD over Coax® technology with HD-Analog, HD-TVI and all legacy analog signal support
- Connect your analog cameras to DW Spectrum® IPVMS
- Convert up to 16 analog cameras to 2.1MP/1080p IP video signals at 240fps
- Real-time 480fps 2.1MP/1080p, 720p and 960H resolution at local monitoring output
- Simultaneous streaming
- Works with DW Spectrum® IPVMS recording license (needs 4 x DW-SPCP04LSC004, sold separately)
- Supports motion detection
- Supports two-way audio (4 input, 1 output)
- 1x RS-485 Interface for PTZ control
- Search and playback from DW Spectrum® IPVMS
- Frame rate and bandwidth control
- 4 alarm input, 1 alarm output
- Event notifications via e-mail with image
- ONVIF conformant, Profile S
- DW-EN19RE 19" rack mount ears included

\* Licenses sold separate

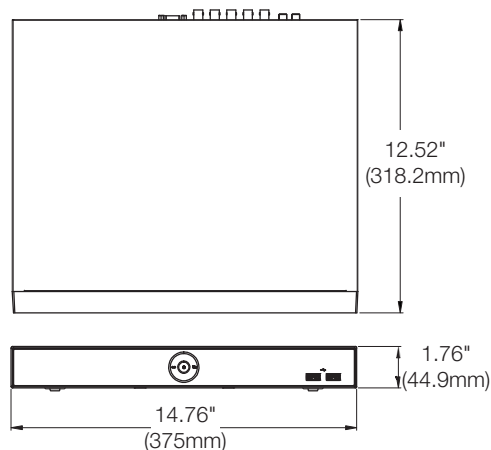
## Mounting accessories (Included)



DW-EN19RE  
19" rack mount ears

## Dimensions

Unit: inch (mm)



## Specifications

| VIDEO                 |   |  |
|-----------------------|---|--|
| Video input           | Signal type                               | Universal HD over Coax® technology with HD-Analog, HD-TVI and all legacy analog signal support                             |
|                       | CH#                                       | 16CH BNC input   |
| Video output          | Outputs                                   | True HD, VGA, Spot   |
|                       | Resolutions                               | True HD/VGA: 1920x1080, 1280x720, 1024x768<br>Spot: 1.0 Vp-p (75 ohm, composite)   |
| Display mode          |   | True HD/VGA: 1/4/9/16 split, PIP, sequence<br>Spot: 1/16 split, sequence   |
| Compression           |   | H.264  |
| Streaming resolution  |   | Mainstream: 240fps @ 2.1MP/1080p<br>Substream: 240fps @ VGA  |
| PERFORMANCE           |   |  |
| Interface             | Audio input and output                    | 4 RCA input / 1 RCA output   |
|                       | Alarm input                               | 4 alarm inputs   |
|                       | Alarm output                              | 1 output, terminal block   |
|                       | RS-485 / RS-232 / UTC                     | 1 terminal block   |
|                       | PTZ control via coax (HD-Analog / HD-TVI) |  |
| Features              | Motion detection                          | Locally and via DW Spectrum® IPVMS   |
|                       | Privacy masks                             | Yes  |
|                       | Alarm management                          | Locally and via DW Spectrum® IPVMS. Motion detection, sensor and alarm activation, video loss, system start and user login |
|                       | Notifications                             | E-mail notifications   |
|                       | Security                                  | HTTPS, SSL, multi-user authority   |
| NETWORK               |   |  |
| Network connection    |   | 1 RJ45 10/100/1000 Base-T  |
| Streaming             | Transmission speed live                   | Max. 240fps @ 1080p  |
|                       | Max. throughput                           | 288Mbps  |
|                       | Bandwidth                                 | Support bandwidth control  |
|                       | Protocols                                 | TCP/IP, UDP, DHCP, uPNP, DDNS, Zeroconf, Bonjour, ONVIF  |
| Access                | Web viewer                                | Internet Explorer® XP or higher with live view and remote setup  |
|                       | software                                  | DW Spectrum® IPVMS   |
| GENERAL               |   |  |
| Operating temperature |   | 32°F - 113°F (0°C - 45°C)  |
| Operating humidity    |   | Less than 90% (non-condensing)   |
| Other certifications  |   | FCC  |
| Electrical            | Power requirement                         | 12V DC, 2A   |
|                       | Power consumption                         | Max. 14.4W, 1.2A   |
| Dimensions            |   | 14.76" x 1.76" x 12.52" (375 x 44.9 x 318.2 mm)  |
| Weight                |   | 3.96lbs (1.8kg)  |