

EVS-VCM

Voice Control Module Product Installation Document

1 Description

The EVS-VCM Voice Control Module is contained within the Silent Knight EVS Series panel enclosure. It provides a supervised microphone for live communication and an interface for the Emergency Voice System.



NOTE: Installation and wiring of this device must be done in accordance with NFPA 72 and local ordinances.

2 Compatibility

The EVS-VCM is compatible with the following Silent Knight Series FACP's:

- 6820EVS (P/N LS10144-001SK-E)
- 5820XL-EVS (P/N 151209-L8)



NOTE: For programming and DIP switch settings, refer to the *FACP Manual*.

3 Specifications

- Standby Current: 70mA
- Alarm Current: 100mA

4 Board Layout and Mounting

1. Open the cabinet door and the dead front panel.
2. Remove AC power and disconnect the backup batteries from the main control panel.

3. Mount the EVS-VCM in the middle section of the dead front on the six mounting studs. See Figure 1 for hole locations and Figure 4 for board mounting location.

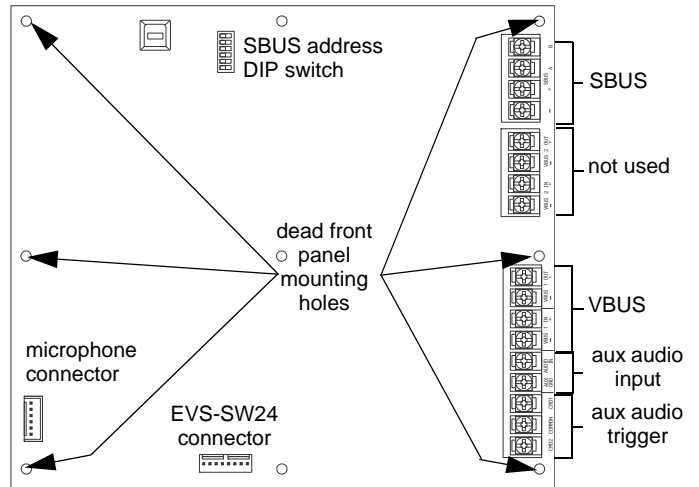


Figure 1 Back View of EVS-VCM

5 Wiring to an FACP

Figure 2 below shows how to properly wire the EVS-VCM to the FACP SBUS.

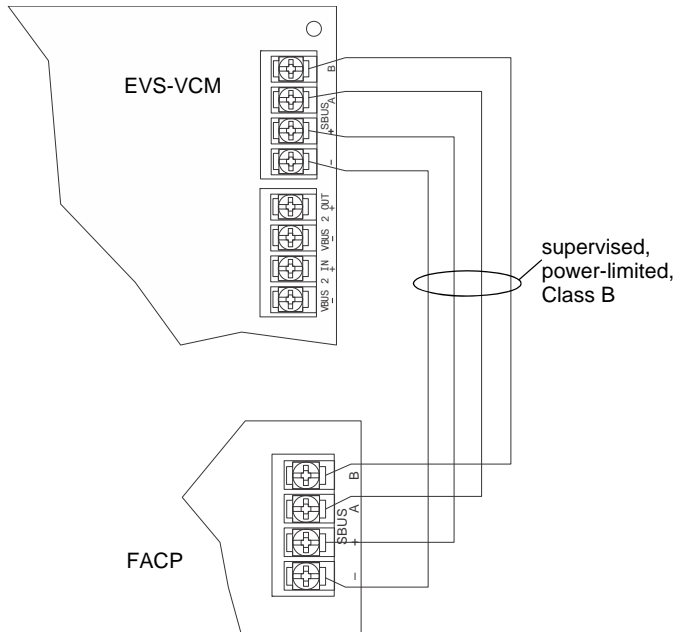


Figure 2 Wiring the EVS-VCM to the FACP

5.1 Installing the Microphone

1. Clip the microphone onto the microphone clip.

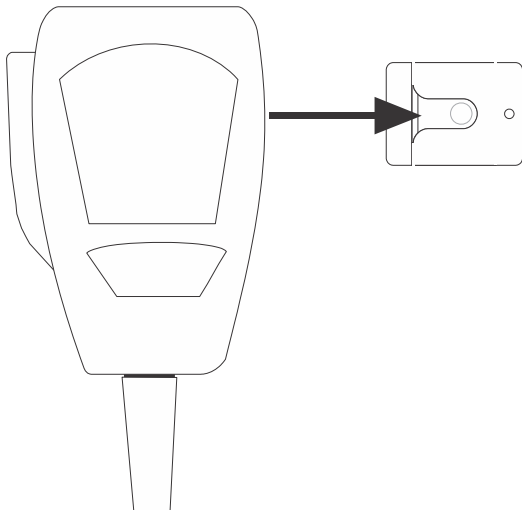


Figure 3 Hang Microphone onto Microphone Clip

2. Insert microphone cord through hole at the bottom of the dead front panel.

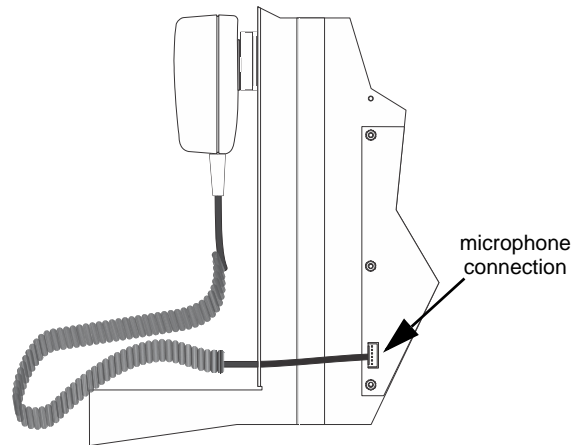


Figure 4 Microphone Cord Inserted Through Dead Front Panel Hole

3. Attach strain relief clip to microphone cord. The strain relief clip should have about 2.75" of microphone cord through it.

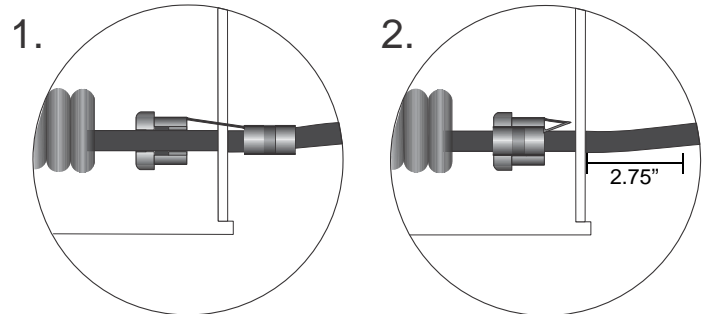


Figure 5 Installing Strain Relief Clip

4. Push the strain into the hole in the dead front panel.
5. Attach connector to the EVS-VCM board.
6. Restore AC power and reconnect the backup batteries.

Honeywell Silent Knight

12 Clintonville Road
Northford, CT 06472-1610
203.484.7161
www.silentknight.com

LS10067-001SK-E | C | 02/22
©2022 Honeywell International Inc.

Honeywell