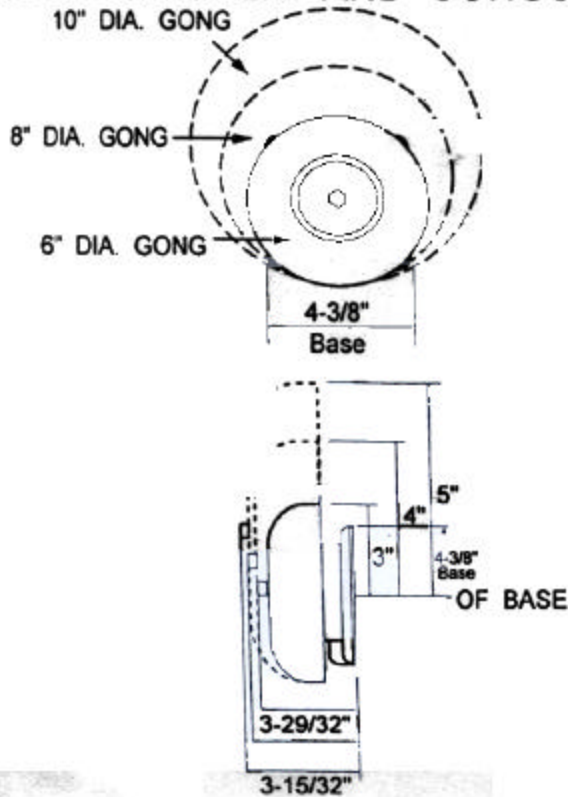
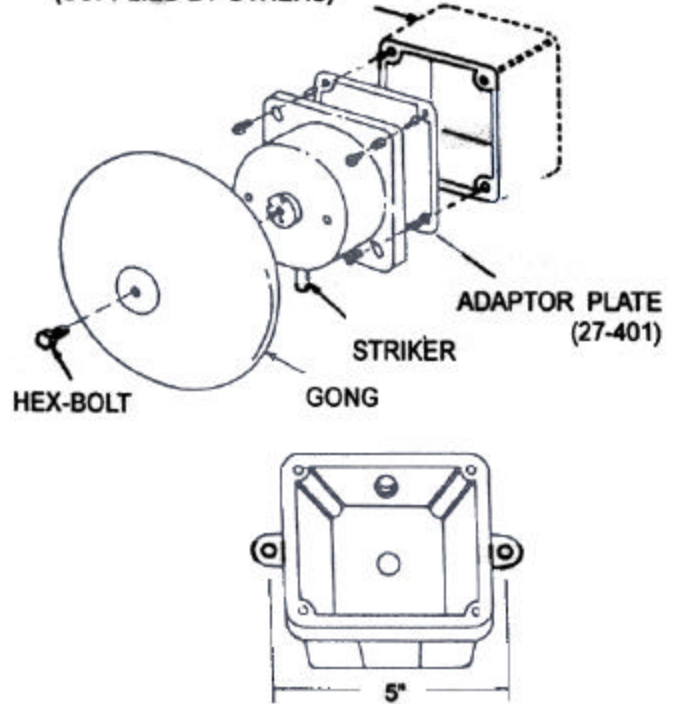


BASIC MECHANISM AND GONGS



SEMI-FLUSH INSTALLATION

4" SQUARE OUTLET BOX
(SUPPLIED BY OTHERS)

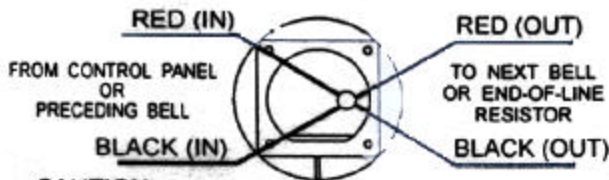


AUDIBILITY RATING (dB at 10FT)

MODEL	RATING	6" GONG SIZE		8" GONG SIZE		10" GONG SIZE	
	VOLTAGE	RATED CURRENT	SOUND LEVEL AT 10 FT dB	RATED CURRENT	SOUND LEVEL AT 10 FT dB	RATED CURRENT	SOUND LEVEL AT 10 FT dB
COIL	6VDC	250mA	95	250mA	95	250mA	95
	12VDC	180mA	95	180mA	95	180mA	96
	24VDC	100mA	95	100mA	96	100mA	96
	120VDC	25mA	95	25mA	95	25mA	98
	220VDC	20mA	95	20mA	95	20mA	97

WIRING (REAR VIEW)

D.C. BELLS (OBSERVE POLARITY)

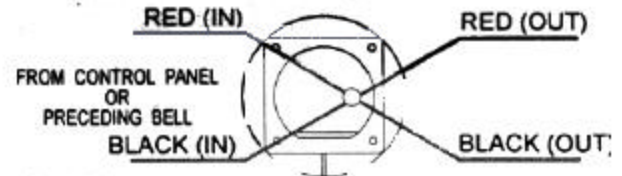


CAUTION:
WHEN ELECTRICAL SUPERVISION IS REQUIRED USE IN AND OUT LEADS AS SHOWN.

NOTES:

1. OBSERVE POLARITY TO RING D.C. BELLS.
2. RED WIRES POSITIVE (+)
3. BLACK WIRES NEGATIVE (-)

A.C. BELLS



CAUTION:
WHEN ELECTRICAL SUPERVISION IS REQUIRED USE IN AND OUT LEADS AS SHOWN.

NOTES:

1. WHEN USING A.C. BELLS, TERMINATE EACH EXTRA WIRE SEPARATELY AFTER LAST BELL.

INSTALLATION NOTE

1. Remove a gong
2. Wire the bell in the circuit.
3. Mount bell mechanism on 4" square standard outlet box with the striker facing down.
4. Replace a gong
5. The bell must be mounted a minimum of 8ft., above the floor, or, as close to the ceiling as possible.
6. Polarized bell provides Red(-) and Black(-) lead wires. When you install the bell, must be observed the polarity.