

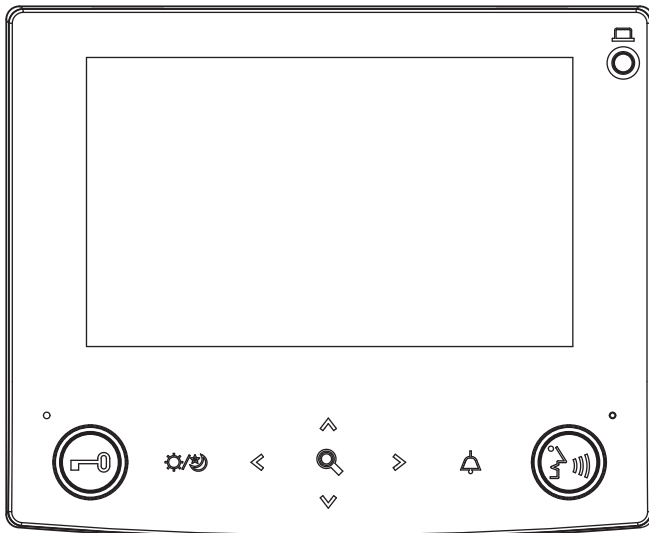
AIPHONE

GT-1C7-L/GT-1C7 GT-1M3-L/GT-1M3

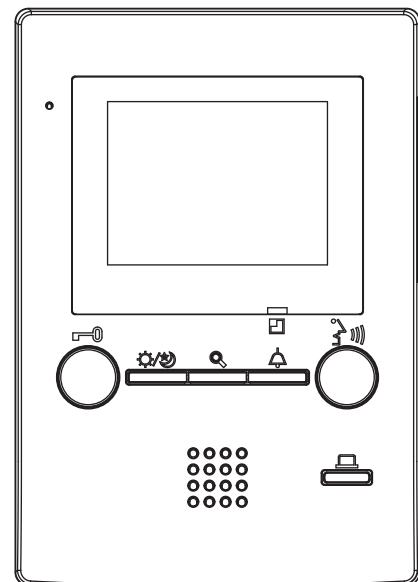
Residential/Tenant Station

INSTALLATION MANUAL

GT-1C7-L/GT-1C7



GT-1M3-L/GT-1M3



Thank you for selecting Aiphone for your communication needs. Please read this manual carefully before installation, and keep this in a safe place for future reference.

Please note that images and illustrations depicted in this manual may differ from the actual product.

PRECAUTIONS



Prohibited



Do not dismantle unit



Keep unit away from water



Be sure to follow the instruction

⚠ WARNING

(Negligence could result in death or serious injury.)

1. Do not dismantle or alter the unit. Fire or electric shock could result.
2. Keep the unit away from water or any other liquid. Fire or electric shock could result.
3. Do not remove the power supply plug with wet hands. Electric shock could result.
4. Do not put any metal or flammable material into the unit through the openings. Fire or electric shock could result.
5. High voltage is present internally. Do not open the case. Electric shock could result.
6. Do not connect any terminal on the unit to an AC power line. Fire or electric shock could result.

⚠ CAUTION

(Negligence could result in injury or damage to property.)

1. Before turning on power, make sure wires are not crossed or shorted. If not, fire or electric shock could result.
2. Do not install or make any wire terminations while power supply is plugged in. It can cause electrical shock or damage to the unit.
3. Do not place or install the unit in the locations subject to frequent vibration or impact. If the unit falls, injury to people or damage to the unit could result.
4. When mounting the unit on a wall, install the unit in a convenient location, but not where it could be jarred or bumped. Injury could result.
5. Do not alter or change the wall-mounting area of the unit. This could result in injury if the unit falls or if something comes in contact with the unit.
6. Do not apply force to LCD. Damage or injury could result.
7. If the LCD is punctured, do not allow skin contact with the liquid crystal inside. Inflammation could result.
 - * If liquid crystal is ingested, immediately gargle with water and seek medical attention.
 - * If contact with the eyes or skin occurs, clean with pure water and seek medical attention.
8. Do not install the unit in any of the following locations. Fire, electric shock, or unit trouble could result.
 - * Places under direct sunlight or places near heating equipment, boiler that varies in temperature.
 - * Places where dust, oil, chemicals or hydrogen sulfide are present.
 - * Places where moisture and humidity extremes are present, such as bathrooms, cellars, greenhouses, etc.
 - * Places where the temperature is quite low, such as inside refrigerated area or in front of an air conditioner.
 - * Places where steam or smoke (near heating or cooking surfaces).
 - * Where noise generating devices such as dimmer switches or inverter electrical appliances are close by.
 - * Locations where extremely powerful electric fields are present.
9. For power supply, use Aiphone power supply model or model specified for use with system. If non-specified product is used, fire or malfunction could result.

General Precautions

1. All the units are designed for indoor use only. Do not use outdoors.
2. The unit turns inoperative during power failure.
3. In areas where broadcasting station antennas are close by, intercom system may be affected by radio frequency interference.
4. Keep the intercom wires more than 30cm (12") away from AC 100-240V wiring. AC induced noise and malfunction could result.
5. Keep the unit more than 1 m (3.3') away from radio or TV sets.
6. Keep residential/tenant station more than 20cm (7-7/8") away from other radio equipment, for example floor heating controller, wireless router or cordless telephone, etc. It may cause unwanted noise and video distortion.
7. If a strong light shines on the main unit screen, the picture will turn white or only silhouettes will be visible. But this is not a unit malfunction.
8. As to other manufacturer's devices (such as sensor, detectors, door releases) used with this system, comply with the Specifications and Warranty conditions that the manufacturers or venders present.
9. The LCD panel is manufactured with high precision techniques, there are pixel miss and always turn on in some part, but it is not malfunction. Please be aware of this in advance.
10. Using a mobile phone or professional-use radio equipment such as walkie-talkie close to the system may cause a malfunction.
11. Environmental sound around the unit may hinder clear communication, but this is not a malfunction.
12. This product, providing door release, should not be used as a crime prevention device.

Notice

- We will under no conditions be liable for damage that occurs due to the inability to communicate due to malfunctions, problems, or operational errors in this product.
- We will under no conditions be liable for any damages or losses resulting from this product's contents or specifications.
- This manual was created by Aiphone Co., Ltd., all rights reserved. Copying a part of or this entire manual without prior permission from Aiphone Co., Ltd. is strictly forbidden.
- Please note that images and illustrations depicted in this manual may differ from the actual product.
- Please note that this manual may be revised or changed without prior notice.
- Please note that product specifications may be changed for the sake of improvement without prior notice.
- This system is not intended for life support or crime prevention. It is a supplementary means of conveying information. Aiphone will under no conditions be liable for loss of life or property which occurs while the system is being operated.

IMPORTANT

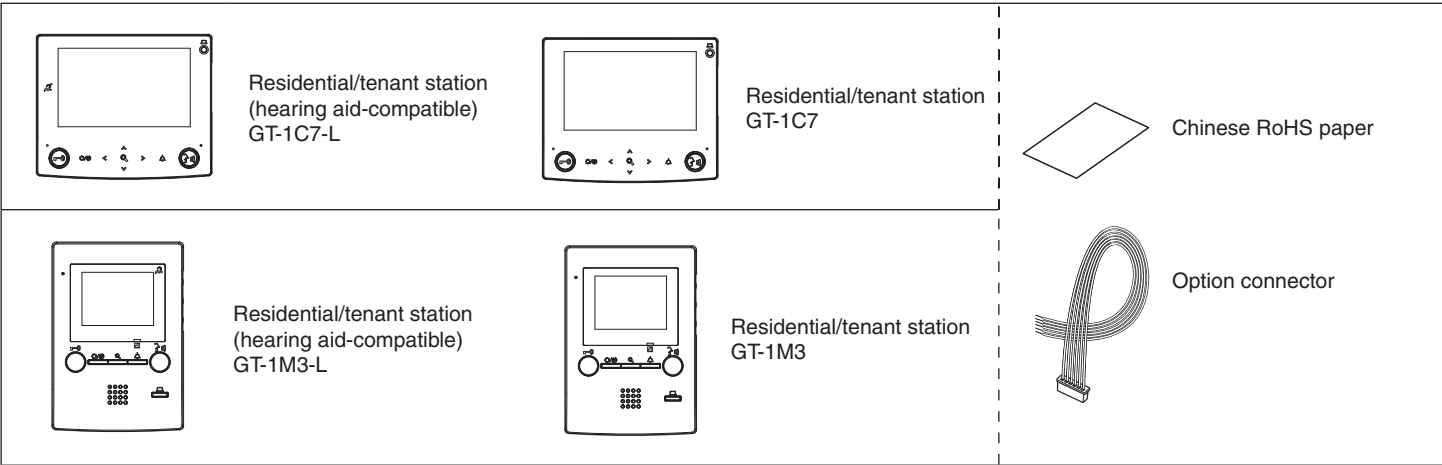
Only images captured by the models of entrance stations or cameras listed in the table below are displayed on the GT-1C7-L/GT-1C7 properly. Before installation, check the models of entrance stations or cameras to be used in the system.

Model	Product category
GT-DMA	Entrance station with camera & name scroll
GT-DMVA	Entrance station with camera & name scroll
GT-VAA	Camera module

Table of Contents

1 COMPONENTS	3
2 MOUNTING	
2-1. Mounting locations	3
2-2. Mounting	4
3 WIRING	
3-1. Appropriate cable	5
3-2. Standard system for residence/tenant (Loop Wiring method)	5
3-3. Option connector	6
4 SETTINGS	
4-1. Manual setting of residence ID	7
REGULATIONS	Back cover
WARRANTY	Back cover

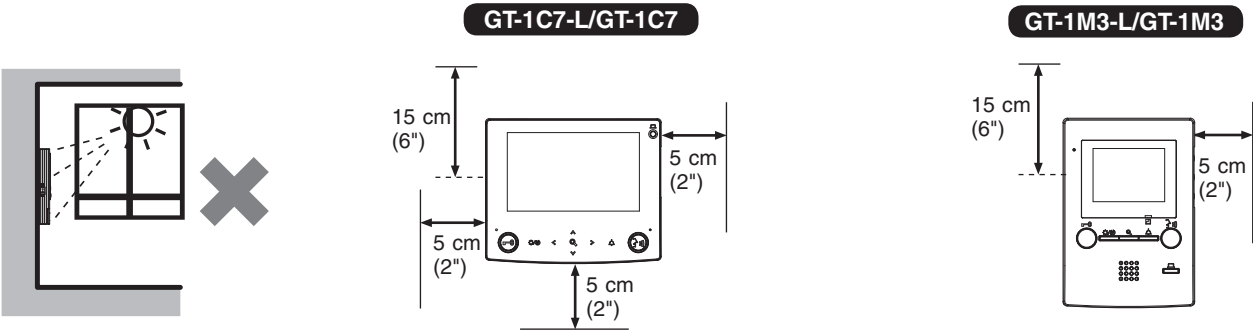
1 COMPONENTS



2 MOUNTING

2-1 Mounting locations

- Install the stations in places where the screen is not exposed to direct sunlight.
- Controls are located on the right side of the station.
Allow open space of 5 cm (2") on both sides of the station.
- At least 15 cm (6") of vertical open space from the center of the mounting bracket is needed for mounting the station.



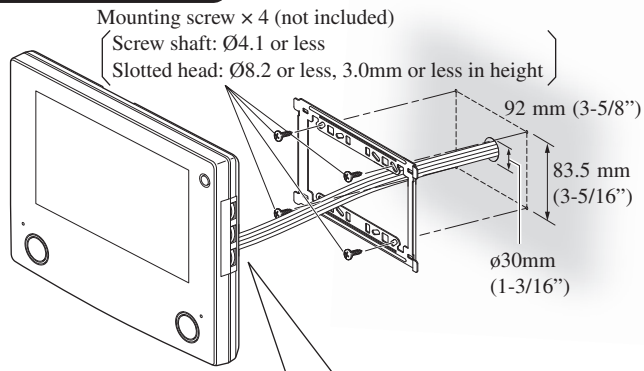
* **GT-1C7-L/GT-1C7 only**
The station has a speaker on the back. Make sure to leave the specified spaces on all the sides to ensure sound clarity.

2-2 Mounting

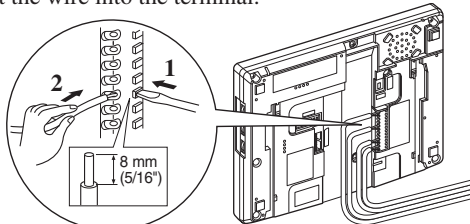
Back wiring

Cut a small round hole ($\phi 30\text{mm}$ (1-3/16")) in the wall for routing wires.

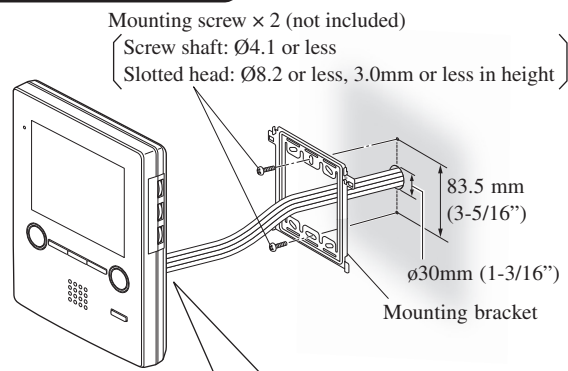
GT-1C7-L/GT-1C7



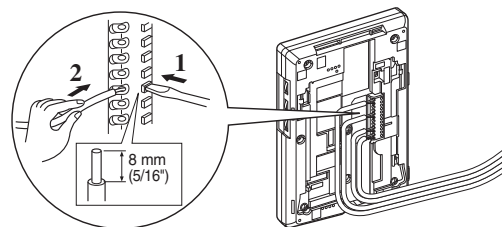
1. Press the release button (to insert or remove the wire).
2. Insert the wire into the terminal.



GT-1M3-L/GT-1M3



1. Press the release button (to insert or remove the wire).
2. Insert the wire into the terminal.



Notes (GT-1C7-L/GT-1C7 only)

- The station has a speaker on the back. When using a gang box for routing the wires, use a single gang box and attach the mounting bracket to the wall directly in the way as shown above. If a 2- or 3-gang box is used, audio quality may be altered.
- Depending on the material of the wall, volume and quality of sound coming from the speaker may be altered.

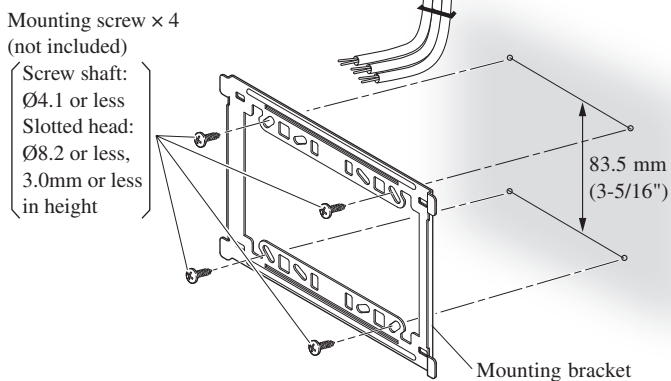
Surface wiring

The wires can be routed to the top or bottom of the station.

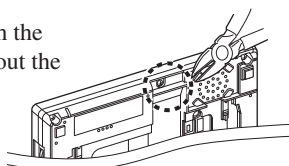
Cut the cable inlet plate of the station to allow passage of the wiring into the station.

If there is a large amount of wiring, strip away the jacket of the wire up to the cable inlet.

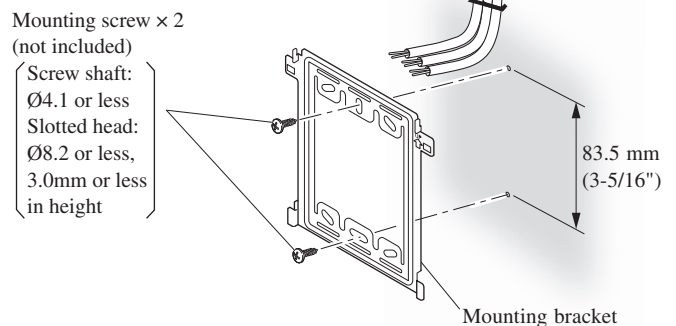
GT-1C7-L/GT-1C7



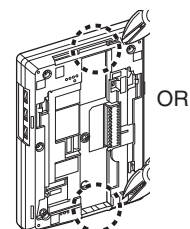
* To pass the wire through the back of the station, cut out the cable inlet plate.



GT-1M3-L/GT-1M3



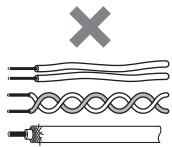
* To pass the wire through the back of the station, cut out the cable inlet plate.



3 WIRING

3-1 Appropriate cable

- Use PE (polyethylene)-insulated PVC jacket cable.
Parallel or jacketed 2-conductor, mid-capacitance non-shielded cable is recommended.
- Never use individual conductors, twisted pair cable or coaxial cable.

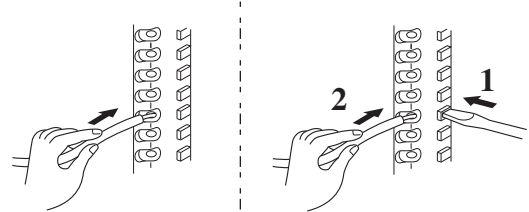


Weak electrical current line connection

8mm (3/8")



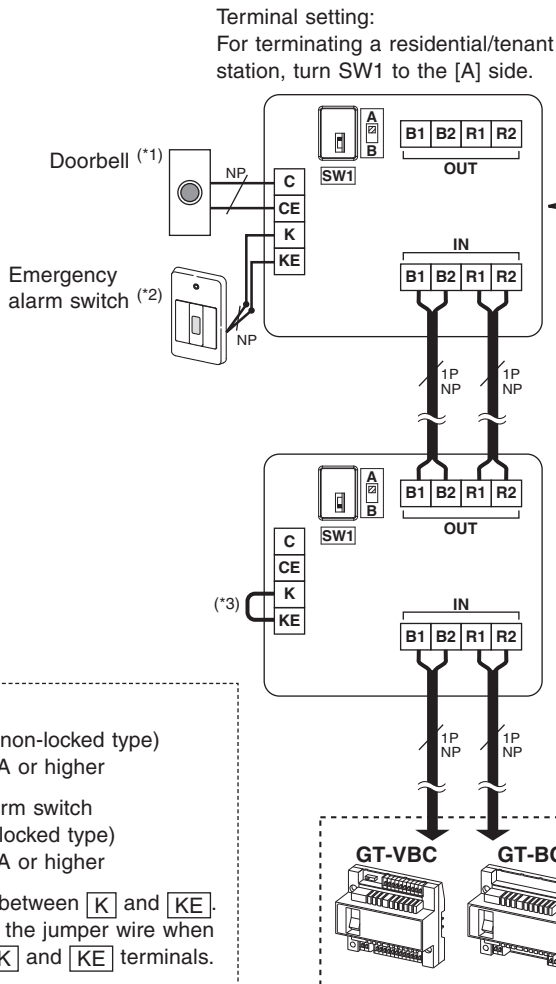
Insert the wire into the direct terminal. If it is difficult to insert the wire, insert it while pressing the release button.



3-2 Standard system for residence/tenant (Loop Wiring method)

* Refer to the GT SYSTEM Installation manual (page 27) when connecting the stations by using the 4-way video junction unit (GT-4Z).

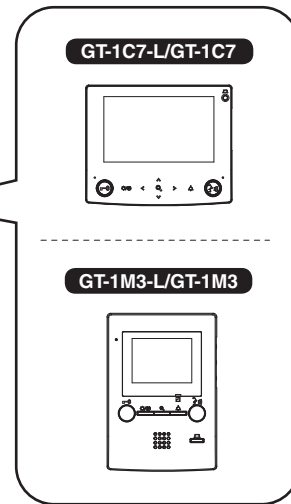
⚠ To prevent shorts, unused cables should be insulated.



(*1): Doorbell
• N/O contact (non-locked type)
• DC 12 V/0.1 A or higher

(*2): Emergency alarm switch
• N/C contact (locked type)
• DC 12 V/0.1 A or higher

(*3): Jumper wiring between **K** and **KE**.
Do not remove the jumper wire when not using the **K** and **KE** terminals.

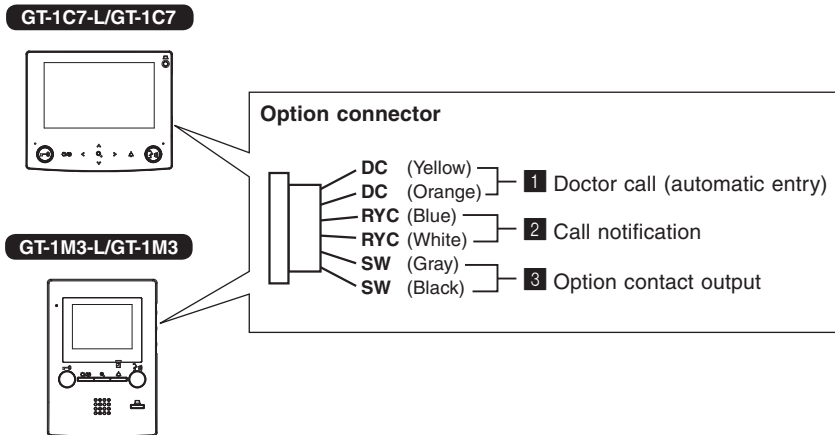


Capacity of residential/tenant stations

System	Capacity
Total residential/tenant stations [Standard system]	Max. 48
Total residential/tenant stations [Expanded system]	Max. 500
Residential/tenant stations [Standard system]	Max. 25 (per trunk of GT-BC)
Residential/tenant stations [Expanded system]	Max. 125 per sub trunk line (max. 25 per trunk of terminating GT-BC)
Residential/tenant stations in the same residence	Max. 4 under the following conditions: • GT-1C7(-L) × Max. 1 (with GT-1A (or GT-1D) × Max. 3) • GT-1M3(-L) × Max. 2 (with GT-1A (or GT-1D) × Max. 2)

3-3 Option connector

⚠ To prevent shorts, be sure to cut unused lead wires at the bottom and insulate the ends.



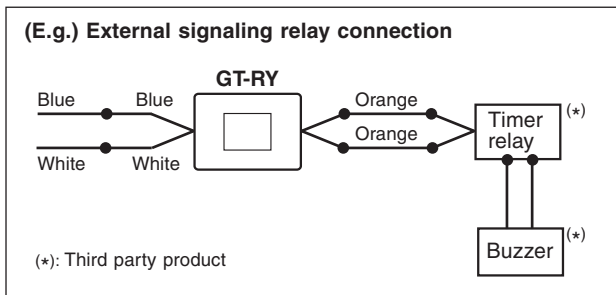
1 Doctor call (automatic entry)

This makes it possible to use the doctor call (automatic entry) function at residential/tenant stations.

Short the DC terminal.

2 Call notification

Using the external signaling relay GT-RY allows for the external buzzer to be linked during calling.



3 Option contact output

External units such as lights or elevators (as required) can be operated with the option button.

Contact specification: Maximum load AC/DC 24 V, 1 A
Minimum load DC 5 V, 100 mA

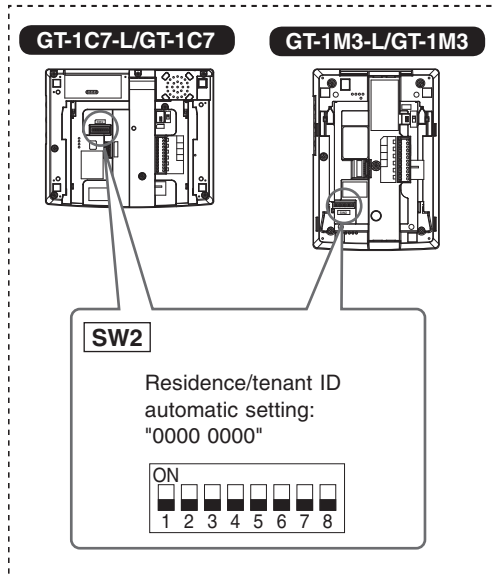
4 SETTINGS

Please read the chapter [5 SETTINGS (COMMON AREA)] of the GT SYSTEM Installation manual for the settings. However, also read the following for the sections 5-6 and 5-7 only. Those include operations on the GT-1C7-L/GT-1C7 or GT-1M3-L/GT-1M3.

4-1 Manual setting of residence ID

* Read this section in place of [5-6 Manual setting of residence ID] of the GT SYSTEM Installation manual.

Residential/tenant station IDs are automatically assigned during link setting. However, with the GT-1C7-L/GT-1C7 and GT-1M3-L/GT-1M3, they can be set manually using the DIP switches on the station. All are set to OFF in the default settings. When replacing a residential/tenant station due to malfunction, resetting the link is unnecessary as the link can be maintained by duplicating the DIP switches.



1 Change the decimal notation ID to binary ID to set the residence ID.

- 1 indicates (ON) and 0 indicates (OFF).
- For the binary notation, refer to the appendix information about the setup tool and perform settings as shown below.

Decimal notation	Binary notation	DIP switches
1	0000 0001	<input type="checkbox"/> <input type="checkbox"/> <input type="checkbox"/> <input type="checkbox"/> <input type="checkbox"/> <input type="checkbox"/> <input type="checkbox"/> <input type="checkbox"/> <input checked="" type="checkbox"/>
2	0000 0010	<input type="checkbox"/> <input type="checkbox"/> <input type="checkbox"/> <input type="checkbox"/> <input type="checkbox"/> <input type="checkbox"/> <input type="checkbox"/> <input type="checkbox"/> <input type="checkbox"/> <input checked="" type="checkbox"/>
3	0000 0011	<input type="checkbox"/> <input type="checkbox"/> <input type="checkbox"/> <input type="checkbox"/> <input type="checkbox"/> <input type="checkbox"/> <input type="checkbox"/> <input type="checkbox"/> <input checked="" type="checkbox"/> <input checked="" type="checkbox"/>
4	0000 0100	<input type="checkbox"/> <input type="checkbox"/> <input type="checkbox"/> <input type="checkbox"/> <input checked="" type="checkbox"/> <input type="checkbox"/> <input type="checkbox"/> <input type="checkbox"/> <input type="checkbox"/> <input type="checkbox"/> <input type="checkbox"/>
⋮	⋮	⋮
48	0011 0000	<input checked="" type="checkbox"/> <input checked="" type="checkbox"/> <input type="checkbox"/> <input type="checkbox"/> <input type="checkbox"/> <input type="checkbox"/> <input type="checkbox"/> <input type="checkbox"/> <input type="checkbox"/> <input type="checkbox"/> <input type="checkbox"/>
⋮	⋮	⋮
250	1111 1010	<input checked="" type="checkbox"/> <input checked="" type="checkbox"/> <input checked="" type="checkbox"/> <input checked="" type="checkbox"/> <input checked="" type="checkbox"/> <input type="checkbox"/> <input type="checkbox"/> <input type="checkbox"/> <input type="checkbox"/> <input checked="" type="checkbox"/> <input type="checkbox"/> <input type="checkbox"/>

2 Create a correlation table with the setup tool between the ID set for residences/tenants and the residential/tenant station names and upload this to the entrance station or security guard station.

- * For information on how to use the setup tool, see the text (.txt) file that is installed in the same folder as the setup tool (.exe). Saving programmed data and resident information data to your PC is recommended.
- Alternatively, set up the system for the entrance station, security guard station, and residential/tenant station. (Refer to [5-7 Setting up the system] of the GT SYSTEM Installation manual.)

REGULATIONS

FCC


This device complies with part 15 of the FCC Rules. Operation is subject to the following two conditions: (1) This device may not cause harmful interference, and (2) this device must accept any interference received, including interference that may cause undesired operation.

NOTE: This equipment has been tested and found to comply with the limits for a Class B digital device, pursuant to part 15 of the FCC Rules. These limits are designed to provide reasonable protection against harmful interference in a residential installation. This equipment generates, uses and can radiate radio frequency energy and, if not installed and used in accordance with the instructions, may cause harmful interference to radio communications. However, there is no guarantee that interference will not occur in a particular installation. If this equipment does cause harmful interference to radio or television reception, which can be determined by turning the equipment off and on, the user is encouraged to try to correct the interference by one or more of the following measures:

- Reorient or relocate the receiving antenna.
- Increase the separation between the equipment and receiver.
- Connect the equipment into an outlet on a circuit different from that to which the receiver is connected.
- Consult the dealer or an experienced radio/TV technician for help.

INDUSTRY CANADA
CAN ICES-3 (B)/NMB-3(B)

WEEE

The object area of  is the EU.

WARRANTY

Aiphone warrants its products to be free from defects of material and workmanship under normal use and service for a period of 2 years after delivery to the ultimate user and will repair free of charge or replace at no charge, should it become defective upon which examination shall disclose to be defective and under warranty. Aiphone reserves unto itself the sole right to make the final decision whether there is a defect in materials and/or workmanship; and whether or not the product is within the warranty. This warranty shall not apply to any Aiphone product which has been subject to misuse, neglect, accident, power surge, or to use in violation of instructions furnished, nor extended to units which have been repaired or altered outside of the factory. This warranty does not cover batteries or damage caused by batteries used in connection with the unit. This warranty covers bench repairs only, and any repairs must be made at the shop or place designated in writing by Aiphone. This warranty is limited to the standard specifications listed in the operation manual. This warranty does not cover any supplementary function of a third party product that is added by users or suppliers. Please note that any damage or other issues caused by failure of function or interconnection with Aiphone products is also not covered by this warranty. Aiphone will not be responsible for any costs incurred involving on site service calls. Aiphone will not provide compensation for any loss or damage incurred by the breakdown or malfunction of its products during use, or for any consequent inconvenience or losses that may result.

 **AIPHONE**®
Providing Peace of Mind
<http://www.aiphone.net/>