

**DESCRIPTION:**

The GT-1D is an audio-only handset tenant station for the GT series multi-tenant entry system. It is equipped with door release, option, and guard buttons.

When a visitor calls, the tenant station rings and the call is answered by picking up the handset. The GT-1D also has the capability of calling the Concierge/Security Guard station(s), turning on a light while speaking with a visitor at the entrance, and receiving an emergency tone from a pull cord or panic call button.

The GT-1D is designed to be surface mounted, with up to four stations can be used in the same tenant location. Communication is hands-free at the entrance station when a tenant answers the call, and is simultaneous via the tenant's handset station when speaking with the visitor.

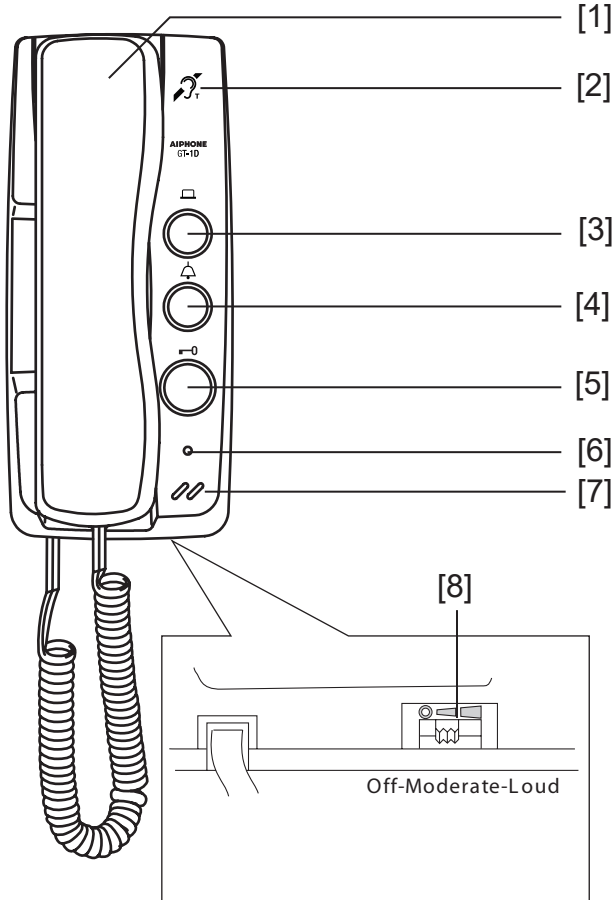
GT-1D FEATURES:

- Handset audio communication
- Door release button
- Security guard call button
- Call tone volume control

GT-1D

Handset Tenant Station

FEATURE CALL-OUT:



FEATURE CALL-OUT DEFINITIONS:

- [1] Handset
- [2] Hearing aid T-coil compatibility symbol
- [3] Option button
- [4] Security guard station call/light button
- [5] Door release button
- [6] Tone Off LED (orange)
When Tone Off is set, the LED blinks every 5.5 seconds
- [7] Buzzer sound hole
- [8] Call tone volume control
(Off - Moderate - Loud)

SPECIFICATIONS:

- Power Source:** 24V DC, supplied from GT-BC
- Communication:** Full duplex via handset
- Mounting:** Wall mount
- Temperature:** 32°~104°F (0~40°C)
- Dimensions:** 7-7/8" H x 3-1/2" W x 2-1/2" D
- Weight:** Approx. 0.73 lbs (330g)